

10 9 8 7 6 5 4 3 2 1

F

F

E

E

D

D

C

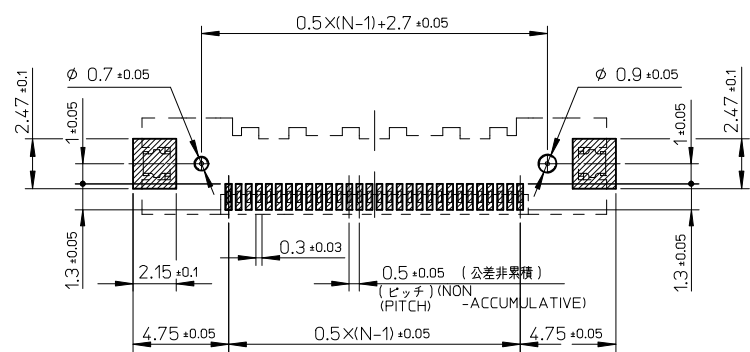
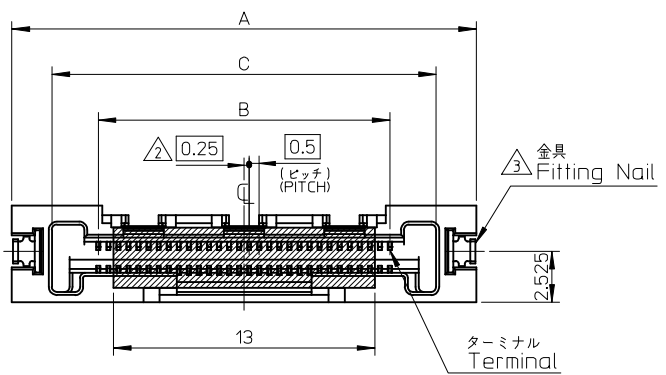
C

B

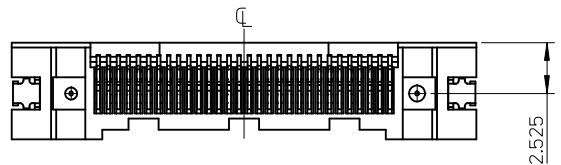
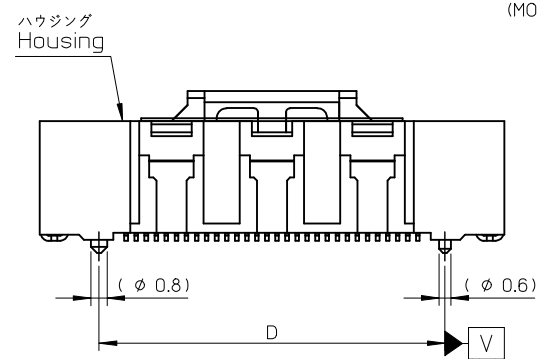
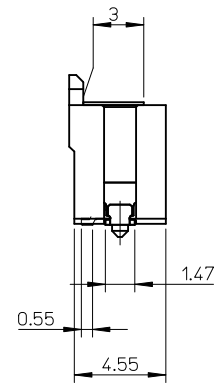
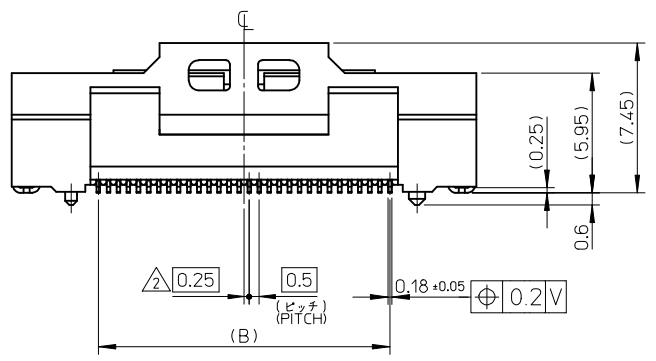
B

A

A



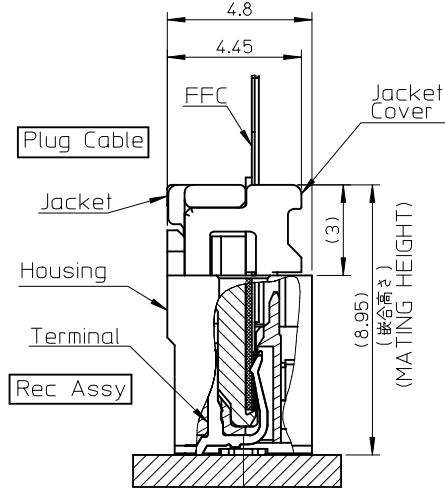
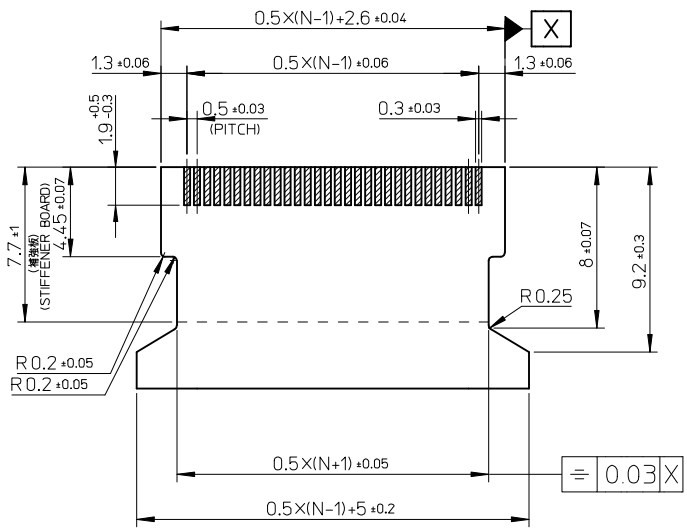
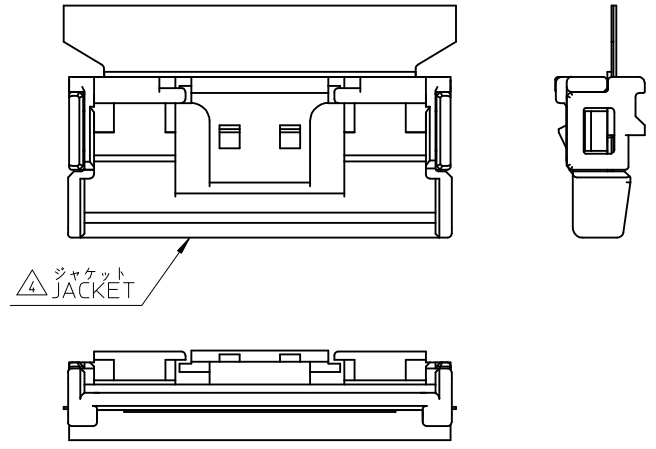
参考基板レイアウト
P.C. BOARD PATTERN
DIMENSION(REF.)
(マウント面)
(MOUNTING SIDE)



17.2	19.1	14.5	23.1	501786-3092	30
D	C	B	A	EMBOSSED TAPE PKG.	極数
ORDER No. オーダー番号					CIRCUIT

CONNECTOR SERIES No. 501786-***41

REVISED EC NO.: J2010-0779 DRW: NISHI 2009/10/19 CHKD: MATSUURA 2009/10/19 APPR: MORIKAWA 2009/10/19	GENERAL TOLERANCES (UNLESS SPECIFIED)		DIMENSION STYLE MM ONLY		SCALE 4:1	DESIGN UNITS METRIC	THIRD ANGLE PROJECTION
	10 UNDER	± 0.2	DRAWN BY H. IJIMA	DATE 07/11/26	TITLE 0.5 FFC TO BOARD CONN REC HSG ASSY(ST)		
	10 OVER 30 UNDER	± 0.25	CHECKED BY K. MORIKAWA	DATE 07/11/26			
	30 OVER	± 0.3	APPROVED BY H. HIRATA	DATE 07/11/26			
	ANGULAR	± 1 °	MATERIAL NO.	DOCUMENT NO.			
DRAFT WHERE APPLICABLE MUST REMAIN WITHIN DIMENSIONS		SEE CHART		MOLEX INCORPORATED			
A	SIZE A3	THIS DRAWING CONTAINS INFORMATION THAT IS PROPRIETARY TO MOLEX INCORPORATED AND SHOULD NOT BE USED WITHOUT WRITTEN PERMISSION					



嵌合断面図
MATED CONNECTOR SECTION

注記
NOTE

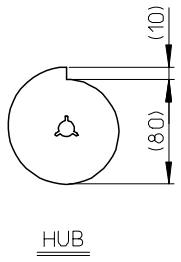
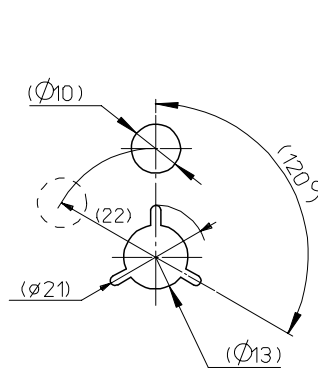
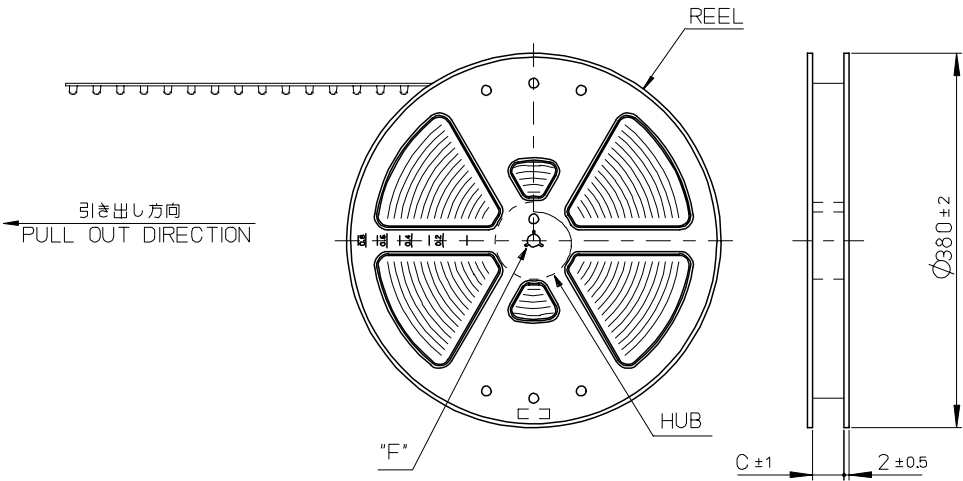
1. 使用材料 MATERIAL
- ハウジング HOUSING : 液晶ポリマー (LCP), ガラス充填, UL94V-0 色:黒色
LIQUID CRYSTAL POLYMER(LCP), GLASS FILLED,UL94V-0 COLOR:BLACK
 - ターミナル TERMINAL : 銅合金 (τ=0.18)
COPPER ALLOY(τ=0.18)
 - メッキ PLATING : ニッケル下地
金メッキ
CONTACT AREA OVER NICKEL PLATING
GOLD
ソルダーテール SOLDER TAIL : ニッケル下地
金メッキ
TAIL AREA OVER NICKEL PLATING
GOLD
 - 金具 FITTING NAIL : 銅合金 (τ=0.25)
ニッケル下地 錫メッキ
COPPER ALLOY(τ=0.25)
TIN OVER NICKEL PLATING.
 - グラウンド端子 GROUND TERMINAL : 銅合金 (τ=0.15)
ニッケル下地 錫メッキ
COPPER ALLOY(τ=0.15)
TIN OVER NICKEL PLATING.

- △2 N=偶数に適用 (N:極数)
APPLY FOR N=EVENIN(CIRCUIT)
 - △3 パターン剥離止め用金具
FITTING NAIL FOR PREVENTION OF PEELING OF P.C.B PATTERN.
 - △4 適合ジャケット: 501783-**09
製品詳細寸法はSD-501783-004を参照下さい。
APPLICABLE JACKET:501783-**09
RE DETAILED DIMENSION,SEE SD-501783-004.
 - △5 適合ジャケットカバー: 501784-**09
製品詳細寸法はSD-501784-004を参照下さい。
APPLICABLE JACKET:501784-**09
RE DETAILED DIMENSION,SEE SD-501784-004.
6. ELV及びRoHS適合品
ELV AND ROHS COMPLIANT
7. FFCについて
ABOUT FFC
打ち抜き方向は導体側から補強板側を推奨します。
導体部については軟箔銅35μmまたは50μmを推奨します。
RECOMMENDED PUNCHING DIRECTION:
FROM CONDUCTOR SIDE TO STIFFENER SIDE
RECOMMENDED CONDUCTOR SPEC:
SOFT COPPER FOIL
RECOMMENDED CONDUCTOR THICKNESS:
35MICROMETER OR 50MICROMETER

コネクタ接点部 CONTACT AREA

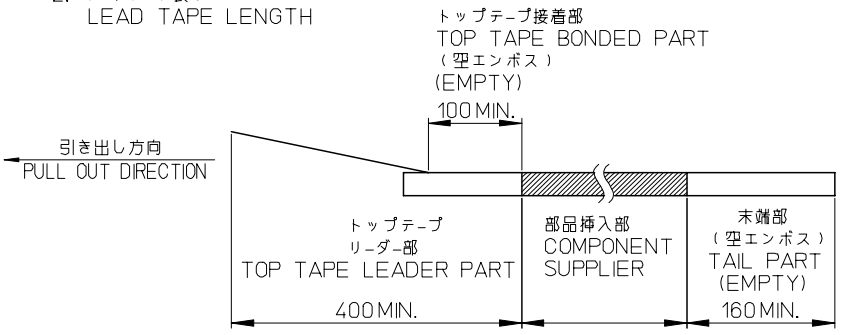
適合FFC推奨寸法
APPLICABLE FFC
RECOMMENDED DIMENSION
(仕上がり厚さ:コネクタ接点部 0.3±0.03)
(THICKNESS :CONTACT AREA 0.3±0.03)

REVISED EC NO: J2010-0779 DRMNNISHI 2009/10/19 CHKD:WATSUURA 2009/10/19 APPR:KNORIKAWA 2009/10/19	GENERAL TOLERANCES (UNLESS SPECIFIED)		DIMENSION STYLE MM ONLY	SCALE 4:1	DESIGN UNITS METRIC	THIRD ANGLE PROJECTION
	10 UNDER	±0.2	DRAWN BY H.IIJIMA	DATE 07/11/26	TITLE 0.5 FFC TO BOARD CONN REC HSG ASSY(ST)	
	10 OVER 30 UNDER	±0.25	CHECKED BY K.MORIKAWA	DATE 07/11/26	MOLEX INCORPORATED	
	30 OVER	±0.3	APPROVED BY H.HIRATA	DATE 07/11/26	DOCUMENT NO. SD-501786-006	SHEET NO. 2 OF 2
A	DESCRIPTION	ANGULAR ±1° DRAFT WHERE APPLICABLE MUST REMAIN WITHIN DIMENSIONS	MATERIAL NO. SEE SHEET 1	THIS DRAWING CONTAINS INFORMATION THAT IS PROPRIETARY TO MOLEX INCORPORATED AND SHOULD NOT BE USED WITHOUT WRITTEN PERMISSION		



NOTES

1. 梱包数量：900 個/リール
NUMBER OF CONNECTORS:900 PCS/REEL
2. リードテープ長さ
LEAD TAPE LENGTH



3. 製品詳細寸法については図面 SD-501786-006を参照下さい。
RE DETAILED DIMENSION, SEE SD-501786-006.
4. 材料(MATERIAL)
キャリアテープ(CARRIER TAPE)：ポリスチレン(POLYSTYRENE)
トップテープ(TOP TAPE)：PET, PE, PE
リール(REEL)：ポリスチレン(POLYSTYRENE)<リサイクル材を含む>
<RECYCLE MATERIAL CONTAINED>
5. ELV及びRoHS適合品
ELV AND RoHS COMPLIANT

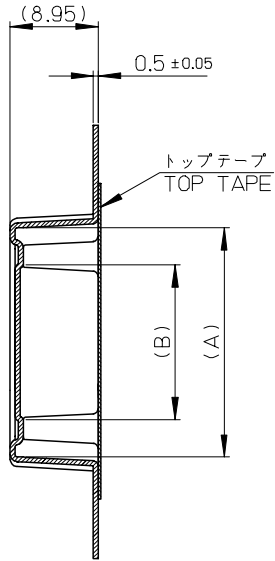
501786-**92
MODEL NO.

RELEASED EC NO: J2008-2176 DRWNG:KSETO 2007/11/29 CHKD:K MORIKAWA 2007/11/29 APPR:K MORIKAWA 2007/11/30	GENERAL TOLERANCES (UNLESS SPECIFIED)		DIMENSION STYLE MM ONLY		SCALE ---	DESIGN UNITS METRIC	THIRD ANGLE PROJECTION	
	10 UNDER	±0.2	DRAWN BY H. IJIMA		DATE 07/11/26		TITLE EMBSTP PKG FOR 0.5 FFC TO BOARD ST TYPE	
	10 OVER 30 UNDER	±0.25	CHECKED BY K. MORIKAWA		DATE 07/11/26		MOLEX INCORPORATED DOCUMENT NO. SD-501786-007 SHEET NO. 1 OF 2	
	30 OVER	±0.3	APPROVED BY H. HIRATA		DATE 07/11/26			
	ANGULAR	±3	MATERIAL NO. 501786-**92		SIZE A3		DRAFT WHERE APPLICABLE MUST REMAIN WITHIN DIMENSIONS	

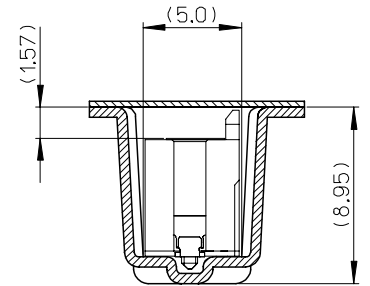
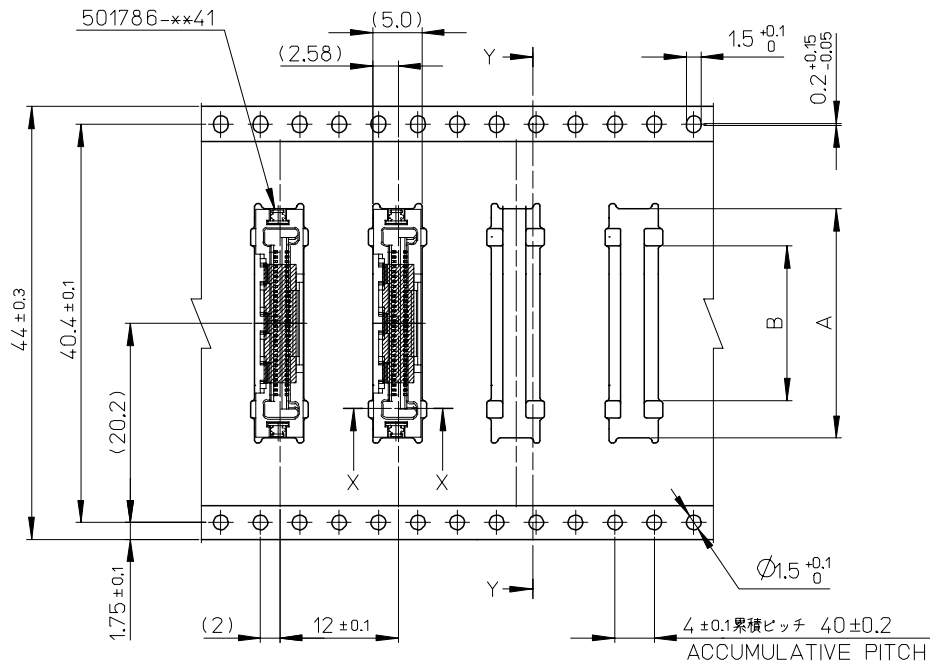
10 9 8 7 6 5 4 3 2 1

F
E
D
C
B
A

引き出し方向
PULL OUT DIRECTION



SECT. Y-Y



SECT. X-X

44mm幅キャリアテープ
44mm WIDTH CARRIER TAPE

44	45.4	15.68	23.3	501786-3092	30
キャリアテープ幅 MATERIAL No.	C	B	A	製品番号 MATERIAL No.	極数 CKT

SEE SHEET 1 OF 2 EC NO: J2008-2176 DRWNG SETO 2007/11/29 CHKD: MORIKAWA 2007/11/29 APPR: MORIKAWA 2007/11/30	GENERAL TOLERANCES (UNLESS SPECIFIED)		DIMENSION STYLE MM ONLY		SCALE ---	DESIGN UNITS METRIC	THIRD ANGLE PROJECTION
	10 UNDER	± 0.2	DRAWN BY H. IJIMA	DATE 07/11/26	TITLE EMBSTP PKG FOR 0.5 FFC TO BOARD ST TYPE		
	10 OVER 30 UNDER	± 0.25	CHECKED BY K. MORIKAWA	DATE 07/11/26	MOLEX INCORPORATED		
	30 OVER	± 0.3	APPROVED BY H. HIRATA	DATE 07/11/26	DOCUMENT NO. SD-501786-007	SHEET NO. 2 OF 2	
0	ANGULAR	± 3	MATERIAL NO. 501786-**92	THIS DRAWING CONTAINS INFORMATION THAT IS PROPRIETARY TO MOLEX INCORPORATED AND SHOULD NOT BE USED WITHOUT WRITTEN PERMISSION			
DRAFT WHERE APPLICABLE MUST REMAIN WITHIN DIMENSIONS							