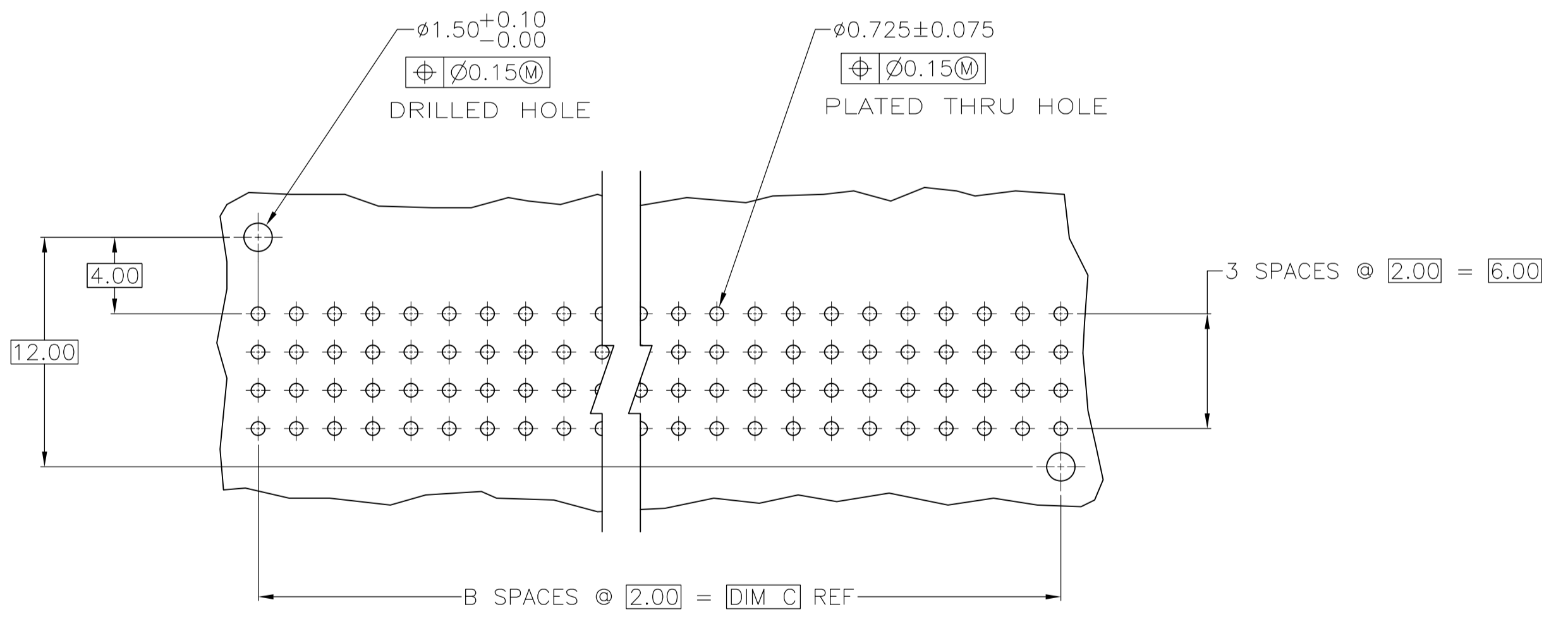
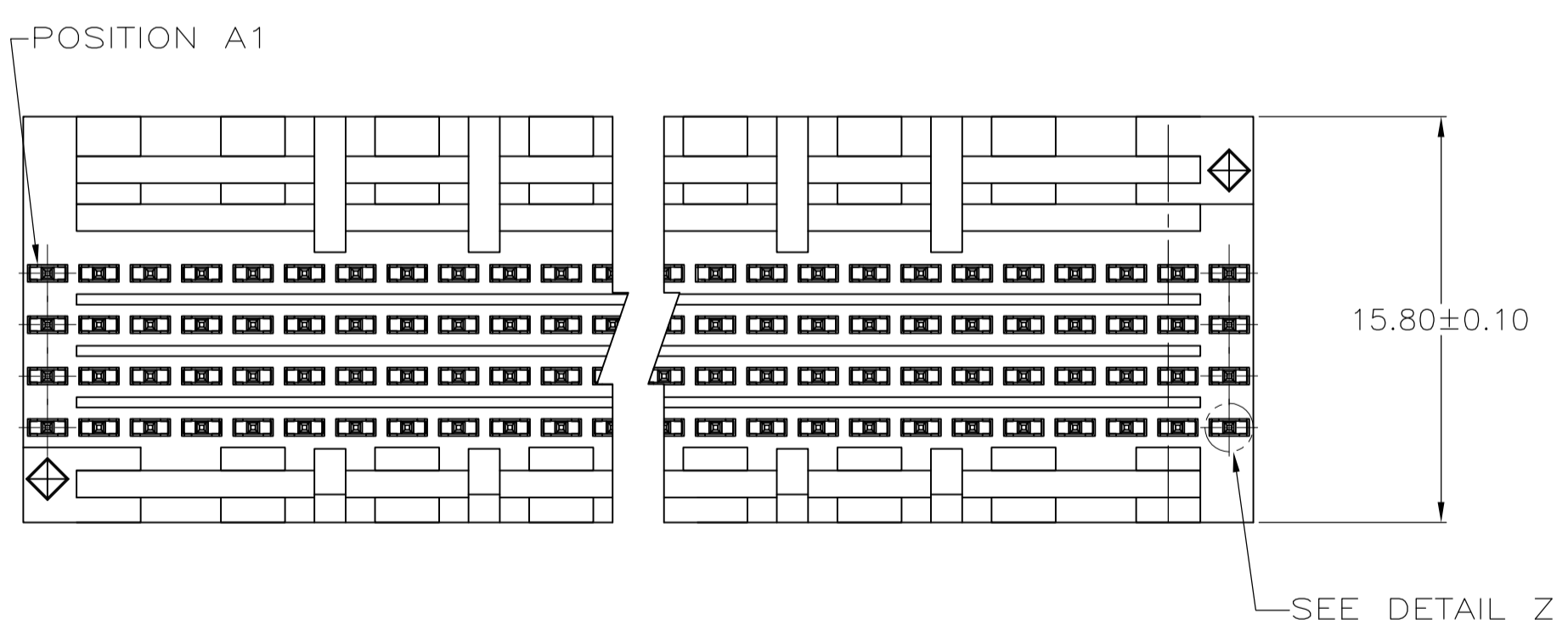


DETAIL Z  
SCALE 20:1



RECOMMENDED CIRCUIT PATTERN  
PER IPC-D300 TYPE II, CLASS C  
(COMPONENT SIDE)

ROW	D	BT	BJ	BJ	BJ	BJ	BJ	BJ	BJ	BT	BJ	BJ	BJ	BT	BA	BJ	BJ	BT	BJ	BJ	BT	BJ	BJ	BT	BJ	BJ			
C	BT	BT	BT	BJ	BJ	BJ	BT	BJ	BJ	BT	BJ	BJ	BT	BJ	BJ	BT	BJ	BJ	BT	BJ	BJ	BT	BJ	BJ	BT	BJ	BJ		
B	BT	BT	BT	BJ	BJ	BT	BJ	BJ	BT	BJ	BJ	BT	BJ	BJ	BT	BJ	BJ	BT	BJ	BJ	BT	BJ	BJ	BT	BJ	BJ	BT	BJ	
A	BJ	BT	BJ	BT	BJ	BJ	BT	BJ	BJ	BT	BJ	BJ	BT	BJ	BJ	BT	BJ	BJ	BT	BJ	BJ	BT	BJ	BJ	BT	BJ	BJ	BT	BJ

30	58	29	59.88	3	120	5536580-1
COLUMN X	C	B	A	FINISH	NO OF SIGNAL POSN	PART NUMBER

THIS DRAWING IS A CONTROLLED DOCUMENT.

DIN	ES	MCMASTER	13SEP04	Tyco Electronics Corporation		
CHK	R	WERTZ	13SEP04	Harrisburg, Pa 17105-3608		
APP'D	R	WERTZ	13SEP04	NAME		
PRODUCT SPEC	Tyco Electronics					
APPLICATION SPEC	ASSEMBLY, PIN, SIGNAL, VERTICAL, Z-PACK 2mm FB, 4 ROW, SOLDER LEADS, RANDOM SEQUENCED					
SIZE	A1	CAGE CODE	00779	DRAWING NO	5536580	RESTRICTED TO
WEIGHT	CUSTOMER DRAWING		SCALE	4:1	SHEET	1 OF 1

CODE LETTER	MATING POST LENGTH ±0.1	LEAD LENGTH (REF)
BA	5	4.25
BJ	6.5	4.25
BT	8	4.25