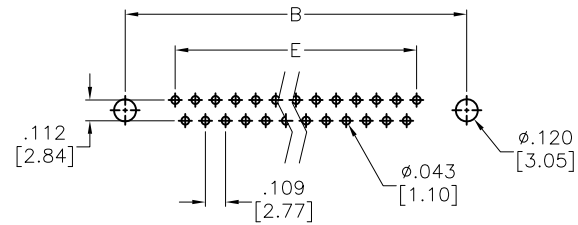
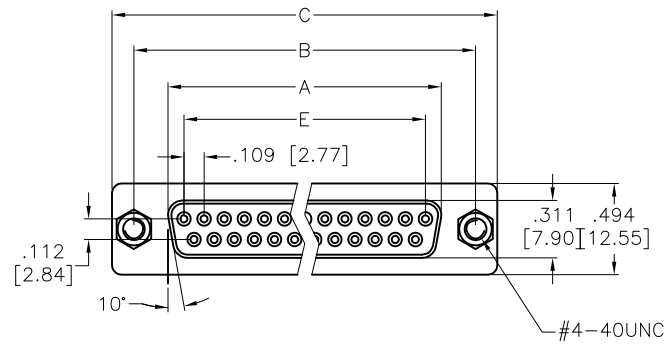
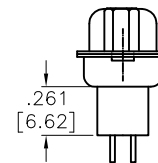
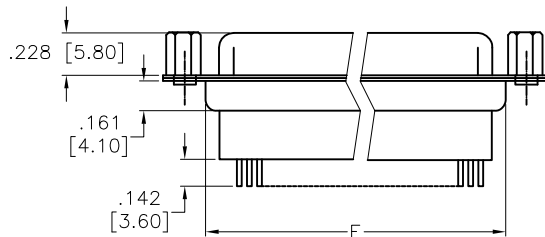


APPROVED: \_\_\_\_\_  
 DATE: \_\_\_\_\_ TITLE: \_\_\_\_\_

Rev	AWO #	Description	Date	Appr
-		RELEASED	4/15/05	
A		UPDATED DRAWING	11/8/18	HR/IW



RECOMMENDED PCB LAYOUT



DXXX	NO. OF CONTACTS	DIMENSIONS				
		A	B	C	D	E
DE09	9	.643 [16.33]	.984 [24.99]	1.213 [30.81]	.756 [19.20]	.436 [11.08]
DA15	15	.972 [24.70]	1.311 [33.30]	1.543 [39.20]	1.091 [27.70]	.763 [19.39]
DB25	25	1.512 [38.40]	1.852 [47.04]	2.089 [53.05]	1.618 [41.10]	1.309 [33.24]
DC37	37	2.157 [54.80]	2.500 [63.50]	2.732 [69.40]	2.256 [57.30]	1.963 [49.86]

**SPECIFICATIONS:**

Material:  
 Insulator: PBT, glass reinforced, rated UL 94V-0  
 Insulator color: Black  
 Contacts: Copper Alloy  
 Shell: Steel, Tin over Copper plated  
 Clinch Nut: Brass, Nickel plated  
 Plating:  
 Gold flash over Nickel underplate on contact area  
 Electrical:  
 Voltage rating: 250 VAC/rms  
 Current rating: 3 Amp  
 Contact resistance: 20 mohms Max @ 1 Amp DC  
 Insulation resistance: 1000 Mohms min @ 500 VDC  
 Dielectric withstanding voltage: 1,000 VAC/rms for 1 minute  
 Environmental:  
 Lead free, RoHS compliant



UNLESS OTHERWISE SPECIFIED ALL DIMENSIONS ARE INCHES [MM] TOLERANCES: EXCEPT AS NOTED INCHES HOLES .X ± .10 Ø.X ± .10 .XX ± .020 Ø.XX ± .015 .XXX ± .015 Ø.XXX ± .010		<b>ADAM TECH</b> INTERCONNECTS 909 Rahway Avenue, Union, NJ 07083 Phone: 908-687-5000 Fax: 908-687-5710	
APPROVALS DRAWN SS CHECKED APPROVED		DATE 4/15/05 TITLE <b>D-SUB SOCKET, HIGH PROFILE          RIVETED #4-40 JACKSCREWS</b>	
SIZE <b>X</b>	PART NO. <b>DXXX-SE-1-JS</b>	REV. <b>A</b>	REF: S00087T
SCALE: NTS		SHEET 1 OF 1	