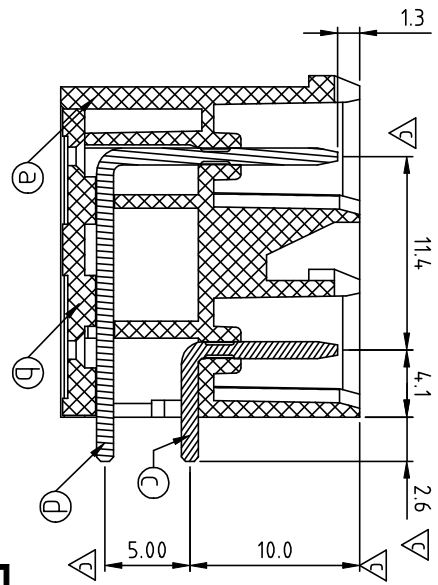
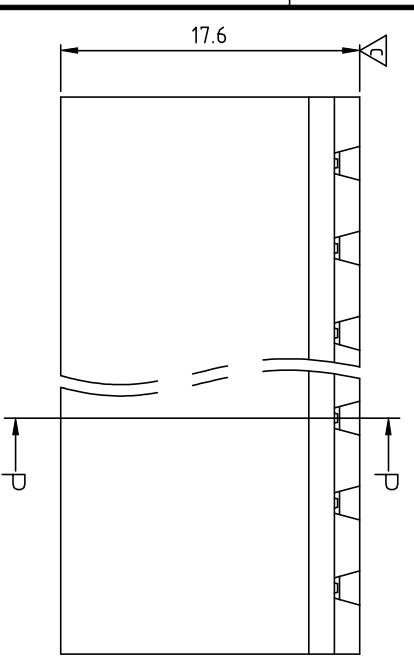
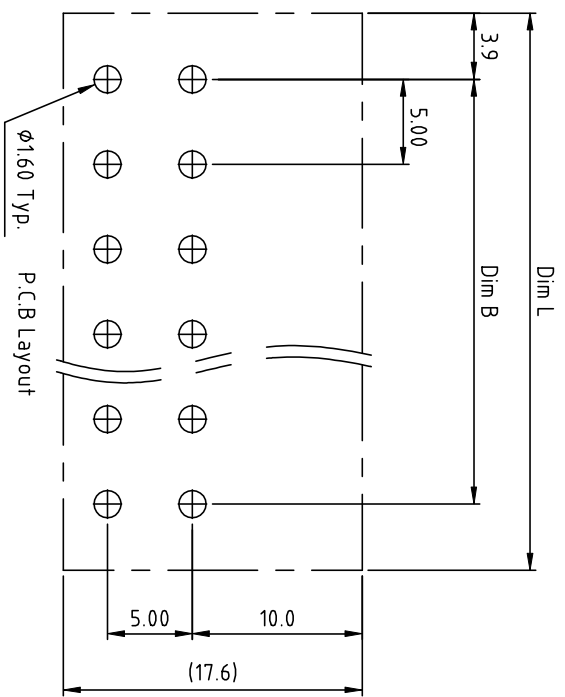
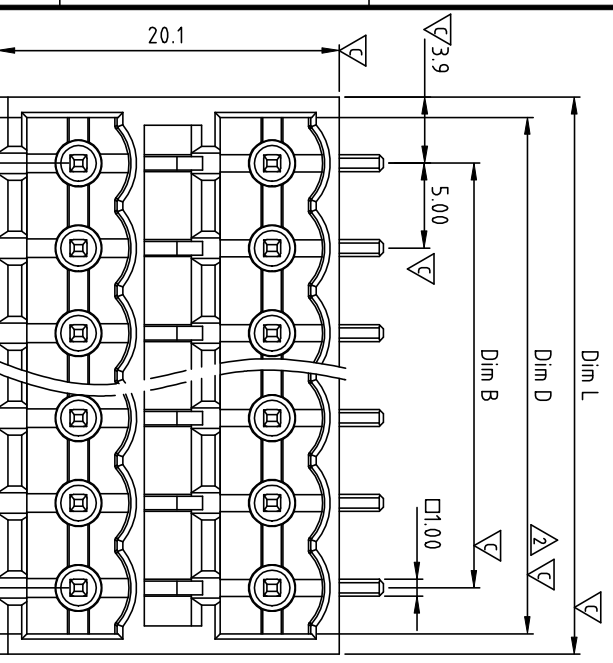


SIGN	DATE	DESCRIPTION	APPROVER
△	04/06'12	Add Is cULus	Chen Bo
△	04/06'12	The Dimension C & D & E are added	Chen Bo

THIS IS CAD DRAWING, DO NOT REVISE MANUALLY!!!!



Poles	Dim L	Dim B	Dim C	Dim D	Dim E
2x2P-2x6P	±0.15	±0.15	+0.05 -0.05	+0.05 -0.05	±0.15
2x7P-2x12P	±0.25	±0.25	+0.10 -0.05	+0.10 -0.05	±0.25
2x13P-2x18P	±0.35	±0.35	+0.20 -0.05	+0.20 -0.05	±0.35
2x19P-2x24P	±0.40	±0.40	+0.25 -0.10	+0.25 -0.10	±0.40

N = Number of poles  
 Dim L = N x 5.0 + 2.8  
 Dim B = (N-1) x 5.0  
 Dim C = (N-1) x 5.0 + 5.4  
 Dim D = (N-1) x 5.0 + 5.4  
 Dim E = (N-1) x 5.0

- Material:
- Item a Terminal(housing): Thermoplastic (UL94V-0)
  - Item b Terminal(cover): Thermoplastic (UL94V-0)
  - Item c Male contact pin of short: Copper Tin plated
  - Item d Male contact pin of long: Copper Tin plated
- Electrical:
- Voltage rating: 300V
  - Current rating: 12A
  - Withstanding Voltage: 1.6KV
  - Operating temperature: -40°C to +115°C
  - Soldering temperature: 250°C ± 10°C / 5 Sec
  - Safety Approval: **SA** **UL**
  - Critical dimension: **▽**

**KEY XX 7 1 X 3 XXXX G**

No. OF POLES: 04: 2x2 POLES, 06: 2x3 POLES, 48: 2x24 POLES

COLOR: 0: Black (RAL9005), 2: Red (RAL3001/D), 3: Orange(RAL2011/P), 4: Yellow(RAL1018/A), 5: Green(RAL6018/T), 6: Blue (RAL5015/A), 8: Grey(RAL7035/D), 9: White(RAL1102), C: Green(RAL6018/U)

0000: "@" Logo (Standard)  
 000A: "ANYTEK" Mark

Any special item by customer request, please contact sales department.

RohS compliant (lead<4%) In copper Alloy

# ANYTEK

## CUSTOMER COPY

ALL RIGHTS RESERVED. REPRODUCTION OR ISSUE TO THIRD PARTIES IN ANY FORM WHATSOEVER IS NOT PERMITTED WITHOUT WRITTEN AUTHORITY FROM THE PROPRIETOR. PROPERTY OF ANYTEK TECHNOLOGY CO., LTD

TITLE		KE 5.0mm Close Series 2x2P-2x24P (Right angle) (DIP type)	
PART NO.	KExx71x3xxxxG	DWG NO.	8KE0101
APPROVED	CHECKED	DESIGNED	DRAWN
	Chen Bo	Chen Bo	Chen Bo
	04/06'12	04/06'12	04/06'12
CUST. NO.		SHEET: 01/01	
Tolerance		UNIT: mm	
±0.50		X.X	
±0.30		XXX	
±0.10		X°	
SCALE: NONE		REV: C	