

GlobTek, Inc. www.globtek.com 186 Veterans Drive, Northvale, NJ 07647 Tel. (201) 784-1000 Fax (201) 784-0111	Drawing Title: U261-241N-4BC2SS / 5A USB 3.1 1 260°C Sink board 24 Male -40°C~+85°C Gold Copper Alloy Type-C SMD USB Connectors ROHS	
	Model No. <a href="#">Connector</a>	Part No./Ordering No. <a href="#">PLUG-USBC-241SMT-4BC2SS</a>

In Addition to GlobTek Inc.'s renewed ISO9001:2008 - Quality Management System Certification, GlobTek Inc. is now certified to:

- ISO13485:2003 - Medical Devices Quality Management System Certification
- ISO14001:2004 - Environmental Management System Certification

ISO Certificates are available online at <http://www.globtek.com/iso-certificates/>

The acceptance of this specification and use of the product described in this document indicates the acceptance and binding of the customer to Globtek TERMS AND CONDITIONS (attached to the end of this document), which supersede all other agreements, terms, and conditions (<http://en.globtek.com/terms-and-conditions/>).

Prop 65 Statement:<https://en.globtek.com/prop-65-statement.pdf>

Footnote:

GlobTek Inc. will not be liable for the safety and performance of these power supplies if unauthorized access and repair occurs. End user should consult applicable UL, CSA or EN standards for proper installation instruction.

Limitation of Use:

GlobTek products are intended for use with commercial, medical, and/or industrial equipment only. GlobTek product are not authorized for use as mission critical components in life support hazardous environment, nuclear or aircraft applications without prior written approval from the CEO of GlobTek Inc.

Contents of this document are subject to change without prior notice.

**Customer Approval of Specification:**

Please approve, sign and send back to GlobTek so we can complete order processing.

A delay in receipt of this form will delay delivery schedule.

Company Name:	Customer P/N:
Quote Number:	Date:
Authorized Representative Name:	Authorized Representative Signature:

GlobTek, Inc.  
 www.globtek.com  
 186 Veterans Drive,  
 Northvale, NJ 07647  
 Tel. (201) 784-1000  
 Fax (201) 784-0111

Drawing Title: U261-241N-4BC2SS / 5A USB 3.1 1 260°C Sink board 24 Male -40°C~+85°C Gold Copper Alloy Type-C SMD USB Connectors ROHS

Model No. [Connector](#)

Part No./Ordering No. [PLUG-USBC-241SMT-4BC2SS](#)

Rev A

## REVISION HISTORY

REV	DESCRIPTION	SUB	DATE	APPROVED
A	Initial release	QA	07/25/2022	QA

3D CAD FILE:

<https://www.globtek.com/file/dl/plug-usbc-241smt-4bc2ss.stp>

AGENCY ONLINE DOCUMENTS

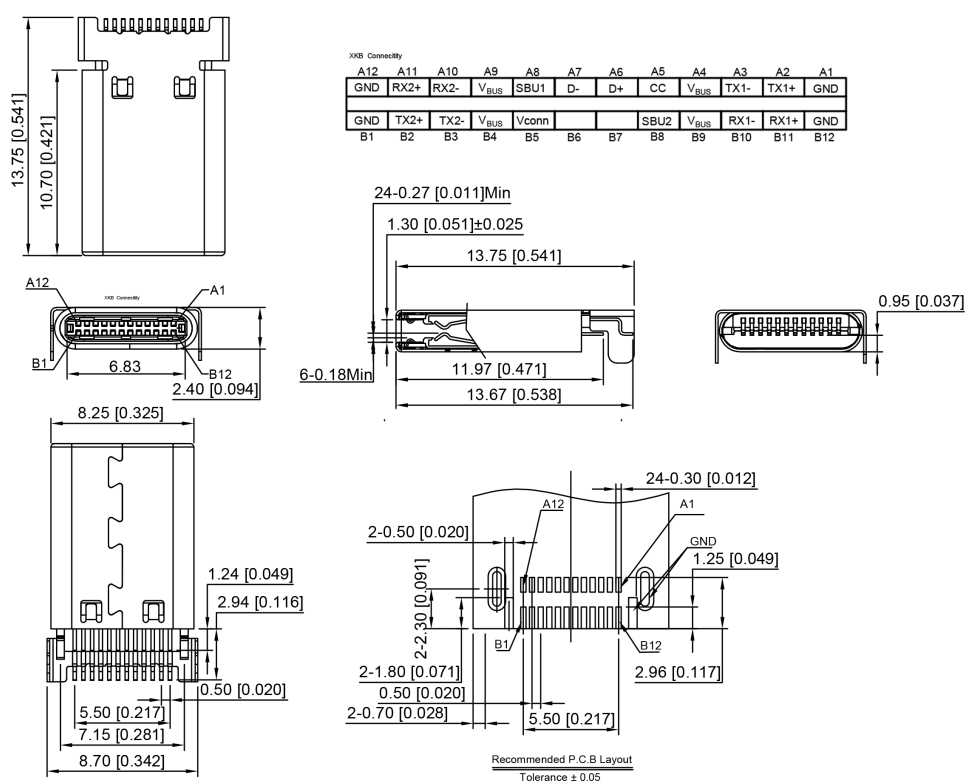
RoHS/RoHS3 Declaration [https://www.globtek.com/pdf/rohs\\_cert/01t3a000005hSXmAM](https://www.globtek.com/pdf/rohs_cert/01t3a000005hSXmAM)

REACH Declaration [https://www.globtek.com/pdf/iso\\_certificates/REACH.pdf](https://www.globtek.com/pdf/iso_certificates/REACH.pdf)

Conflict Minerals Declaration <https://www.globtek.com/pdf/conflict-minerals.pdf>

Prop 65 Statement <https://en.globtek.com/prop-65-statement.pdf>

IPXY rating is based on 3rd party testing and customers should check suitability and test system level IPXY rating before ordering.



### PLUG-USBC-241SMT-4BC2SS

AU 1U"
BLACK  
LCP

GlobTek, Inc. www.globtek.com 186 Veterans Drive, Northvale, NJ 07647 Tel. (201) 784-1000 Fax (201) 784-0111	Drawing Title: U261-241N-4BC2SS / 5A USB 3.1 1 260°C Sink board 24 Male -40°C~+85°C Gold Copper Alloy Type-C SMD USB Connectors ROHS	
	Model No. <a href="#">Connector</a>	Part No./Ordering No. <a href="#">PLUG-USBC-241SMT-4BC2SS</a>
		Rev A

NOTE:

1. MATERIAL:

1.1 INSULATOR: HIGH TEMPERATURE PLASTIC UL 94 V-0;

1.2 CONTACT: COPPER ALLOY(T=0.15mm)

1.3 SHELL: STEEL(T=0.15mm)

2. ELECTRICAL CHARACTERISTICS;

2.1 CONTACT RESISTANCE: 40mΩ Max FOR INITIAL. 10mΩ

CHANGE AFTER TEST. MEASURE AT 20mV, 100mA.

2.2 CONTACT CURRENT RATING: 5A Max FOR VBUS/GND PIN; 0.9A Max FOR Other PIN.

2.3 DIELECTRIC WITHSTANDING VOLTAGE: 100V AC R.M.S.

2.4 INSULATION RESISTANCE 100MΩ Min

2.5 OPERATING TEMPERATURE: -40°C~85°C

3 MECHANICAL CHARACTERISTICS:

3.1 MATING FORCE: 5~20 N.

3.2 UNMATED FORCE: 6~20N AFTER TEST

3.3 DURABILITY: 10,000 CYCLES, 500 CYCLES/H

4.PLATING

CONTACT: CONTACT AREA PLATING Au 1~30u" ,SOLDER AREA PLATING 80~120U" MATTING Sn.

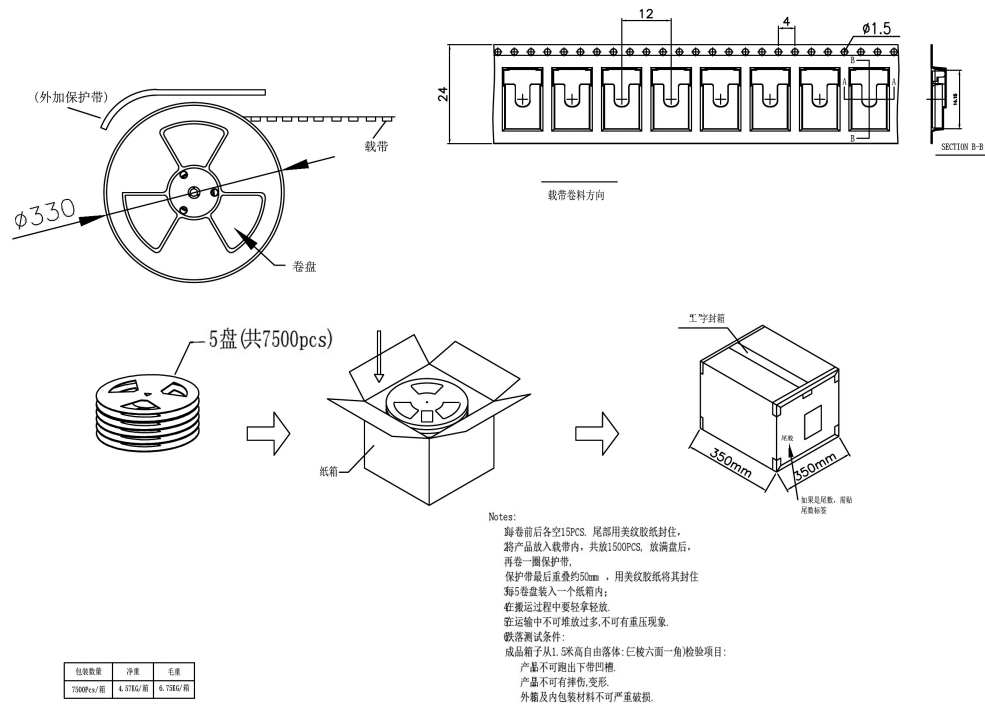
SHELL/SPRING/BUCKLE:20U" Min PLATING OVER ALL

Temperature Life, Vibration, Cyclic Temperature and Humidity, Thermal Shock, Mixed Flowing Gas and etc.:

<https://www.globtek.com/pdf/ENVIRONMENTAL.pdf>

GlobTek, Inc. www.globtek.com 186 Veterans Drive, Northvale, NJ 07647 Tel. (201) 784-1000 Fax (201) 784-0111	Drawing Title: U261-241N-4BC2SS / 5A USB 3.1 1 260°C Sink board 24 Male -40°C~+85°C Gold Copper Alloy Type-C SMD USB Connectors ROHS	
	Model No. <a href="#">Connector</a>	Part No./Ordering No. <a href="#">PLUG-USBC-241SMT-4BC2SS</a>

### Packing:



#### PROPRIETARY INFORMATION

PROPRIETARY OF GLOBTEK, INC. ANY REPRODUCTION, DISCLOSURE OR USE OF THIS DRAWING, IN WHOLE OR IN PART, IS HEREBY PROHIBITED EXCEPT AS SPECIFIED IN WRITING BY GLOBTEK, INC. © GlobTek, Inc. 2022 - 2023  
 quest / 06/06/2023 7:09:24 AM CLONED FROM PLUG-USBC-241SMTV-4BQC13

GlobTek, Inc. www.globtek.com 186 Veterans Drive, Northvale, NJ 07647 Tel. (201) 784-1000 Fax (201) 784-0111	Drawing Title: U261-241N-4BC2SS / 5A USB 3.1 1 260°C Sink board 24 Male -40°C~+85°C Gold Copper Alloy Type-C SMD USB Connectors ROHS	
	Model No. <a href="#">Connector</a>	Part No./Ordering No. <a href="#">PLUG-USBC-241SMT-4BC2SS</a>
		Rev A

**PACKAGING**

Packing Spec P/N: \_\_\_\_\_

Box Qty: 7500

Gift Box Size (mm): \_\_\_\_\_

Gift Box Color: White

Master Carton Size (mm): 350 x 350 x 220

Master Carton Cubic

Volume (m³): 0.03

Master GW (Kg): 6.8 kg

wt Ea. (Kg): 0.00 kg

wt Ea. (Kg): 0.00 kg

LABEL SPECS: \_\_\_\_\_ , \_\_\_\_\_

PACK SPEC: \_\_\_\_\_