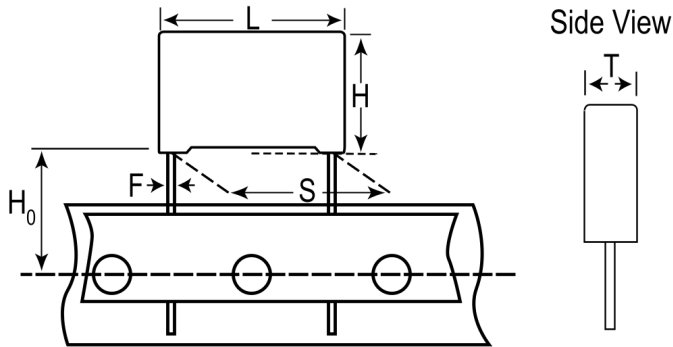


R60PF2470DQ30J

Aliases (60PF2470DQ30J)

R60, Film, Metallized Polyester, Automotive Grade, 0.047 uF, 5%, 630 VDC, 85°C, Lead Spacing = 10mm



Click [here](#) for the 3D model.

Dimensions

L	13mm +0.2mm
H	12mm +0.1mm
T	6mm +0.2mm
S	10mm +/-0.4mm
H0	18.5mm +/-0.5mm
F	0.6mm +/-0.05mm

Packaging Specifications

Packaging	Ammo, 360x340x59mm, Box
Packaging Quantity	680

General Information

Series	R60
Dielectric	Metallized Polyester
Style	Radial
Features	Automotive Grade, DC Multipurpose Applications
RoHS	Yes
Lead	Wire Leads
Qualifications	AEC-Q200
AEC-Q200	Yes
Miscellaneous	Upper Operating Temperature Of 125C Is Allowed For A Maximum Operating Time Of 1,000 Hours. Above 85C, DC And AC Voltage Derating Is 1.25%/C.

Specifications

Capacitance	0.047 uF
Capacitance Tolerance	5%
Voltage AC	220 VAC
Voltage DC	630 VDC
Temperature Range	-55/+105°C
Rated Temperature	85°C
Dissipation Factor	1% 1kHz, 1.5% 10kHz
Insulation Resistance	30 GOhms
Max dV/dt	40 V/us
Inductance	9 nH