

U\_FPGA\_B2B\_Connectors  
FPGA\_B2B\_Connectors.SchDoc

PMODs  
PMODs.SchDoc

U\_ARM\_JTAG  
ARM\_JTAG.SchDoc

U\_HDMI  
HDMI.SchDoc

U\_FMC  
FMC.SchDoc

Ethernet  
Ethernet.SchDoc

FTDI  
FTDI.SchDoc

U\_POWER\_5V0  
POWER\_5V0.SchDoc

U\_CameraLink  
CameraLink.SchDoc

U\_POWER\_3V3  
POWER\_3V3.SchDoc

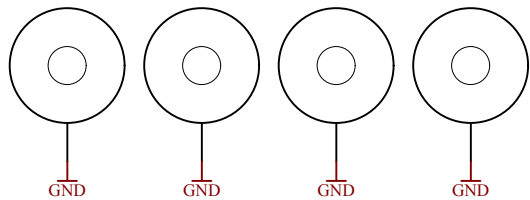
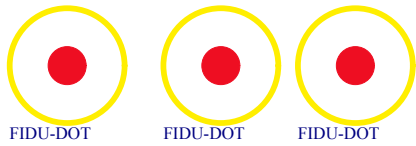
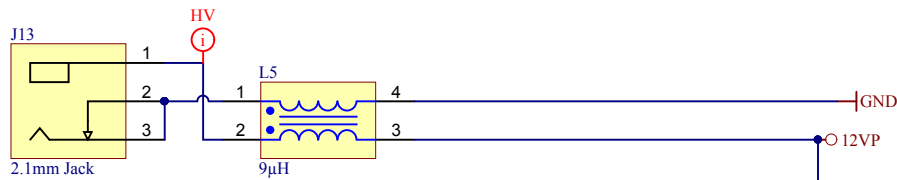
LED\_SW\_BUT  
LED\_SW\_BUT.SchDoc

SDCard  
SDCard.SchDoc

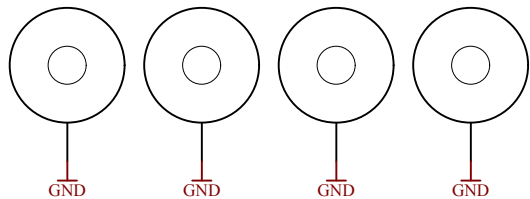
U\_POWER\_MISC  
POWER\_MISC.SchDoc

U\_ARM\_JTAG  
ARM\_JTAG.SchDoc

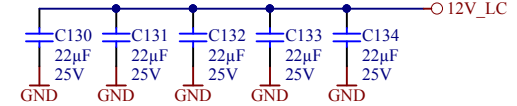
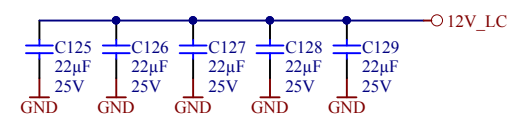
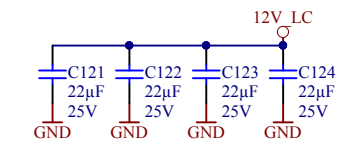
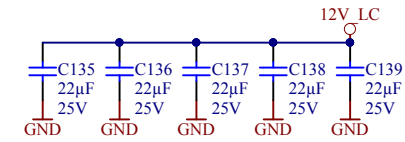
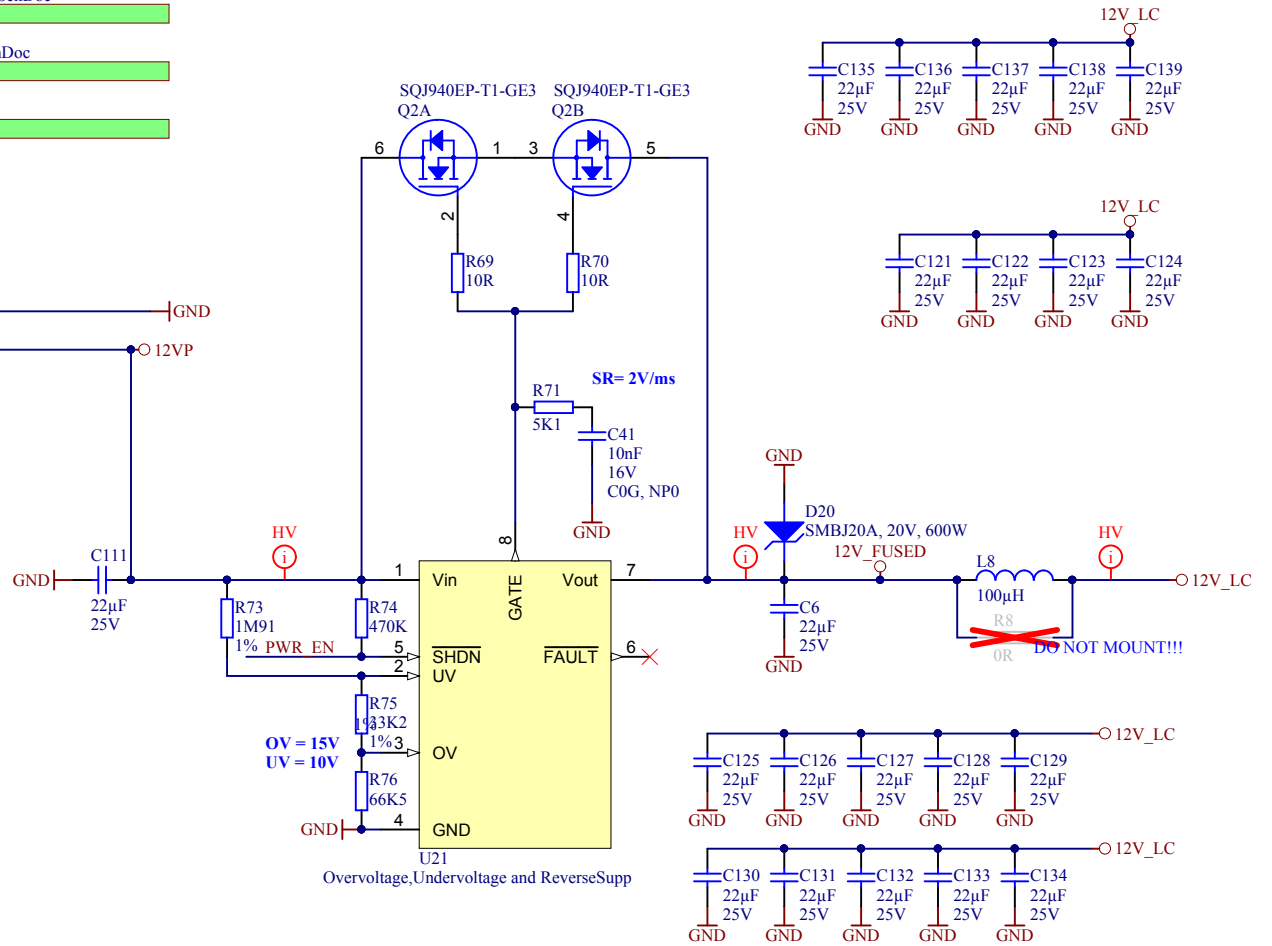
U\_CPLD  
CPLD.SchDoc



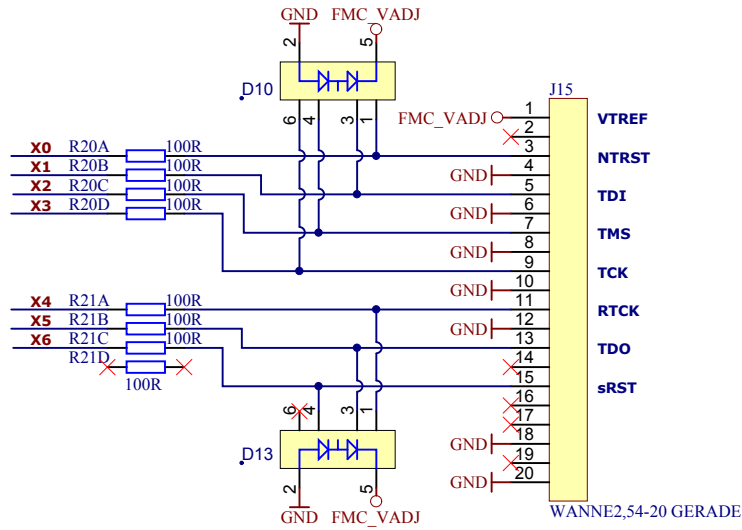
Mount.Hole 3.2mmMount.Hole 3.2mmMount.Hole 3.2mmMount.Hole 3.2mm




Mount.Hole 3.2mmMount.Hole 3.2mmMount.Hole 3.2mmMount.Hole 3.2mm



Title: TE0701		
A4	Number: TE0701 NO R8	Rev. 05
Date: 2013-5-7	Copyright: Trenz Electronic GmbH	Page1 of 18
Filename: TE0701.SchDoc		



			Title: <b>TE0701 - ARM JTAG</b>	
			A4	Number: <b>TE0701 NO R8</b>
Date: <b>2013-5-7</b>		Copyright: <b>Trenz Electronic GmbH</b>		Page2 of 18
Filename: <b>ARM_JTAG.SchDoc</b>				

1

2

3

4

A

A

B

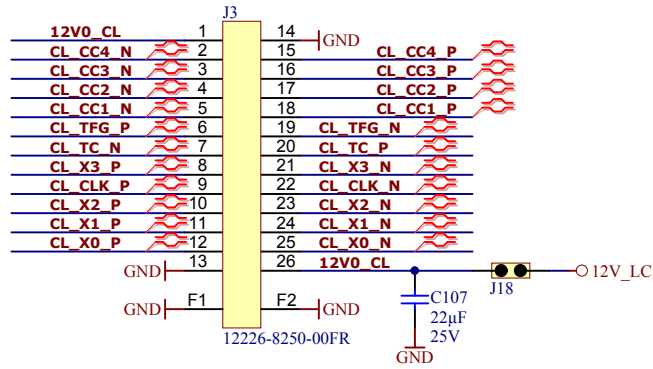
B


C

C

D

D



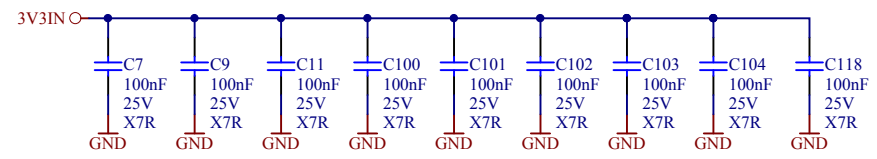
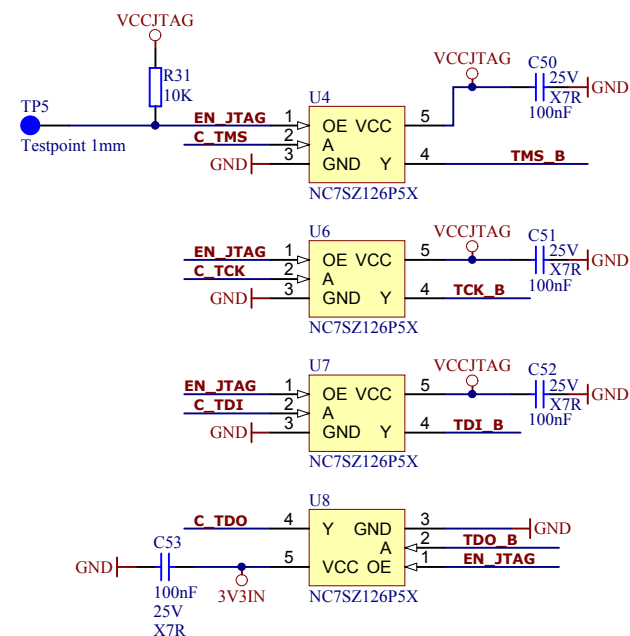
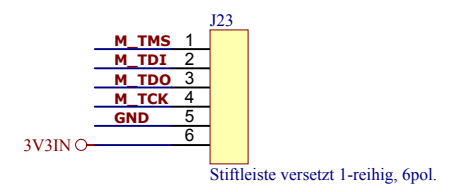
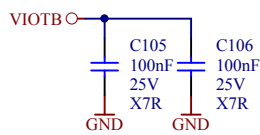
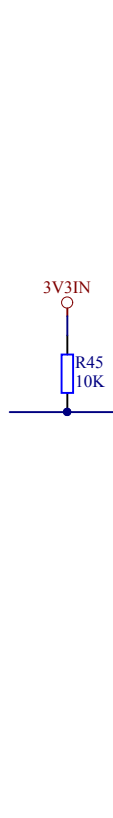
		Title: TE0701 - CameraLink	
		A4	Number: TE0701 NO R8
Date: 2013-5-7		Copyright: Trenz Electronic GmbH	
Filename: CameraLink.SchDoc		Page 3 of 18	

1

2

3

4



		Title: TE0701- CPLD	
		A4	Number: TE0701 NO R8
Date: 2013-5-7	Copyright: Trenz Electronic GmbH	Rev. 05	
Filename: CPLD.SchDoc		Page4 of 18	

1

2

3

4

A

A

B

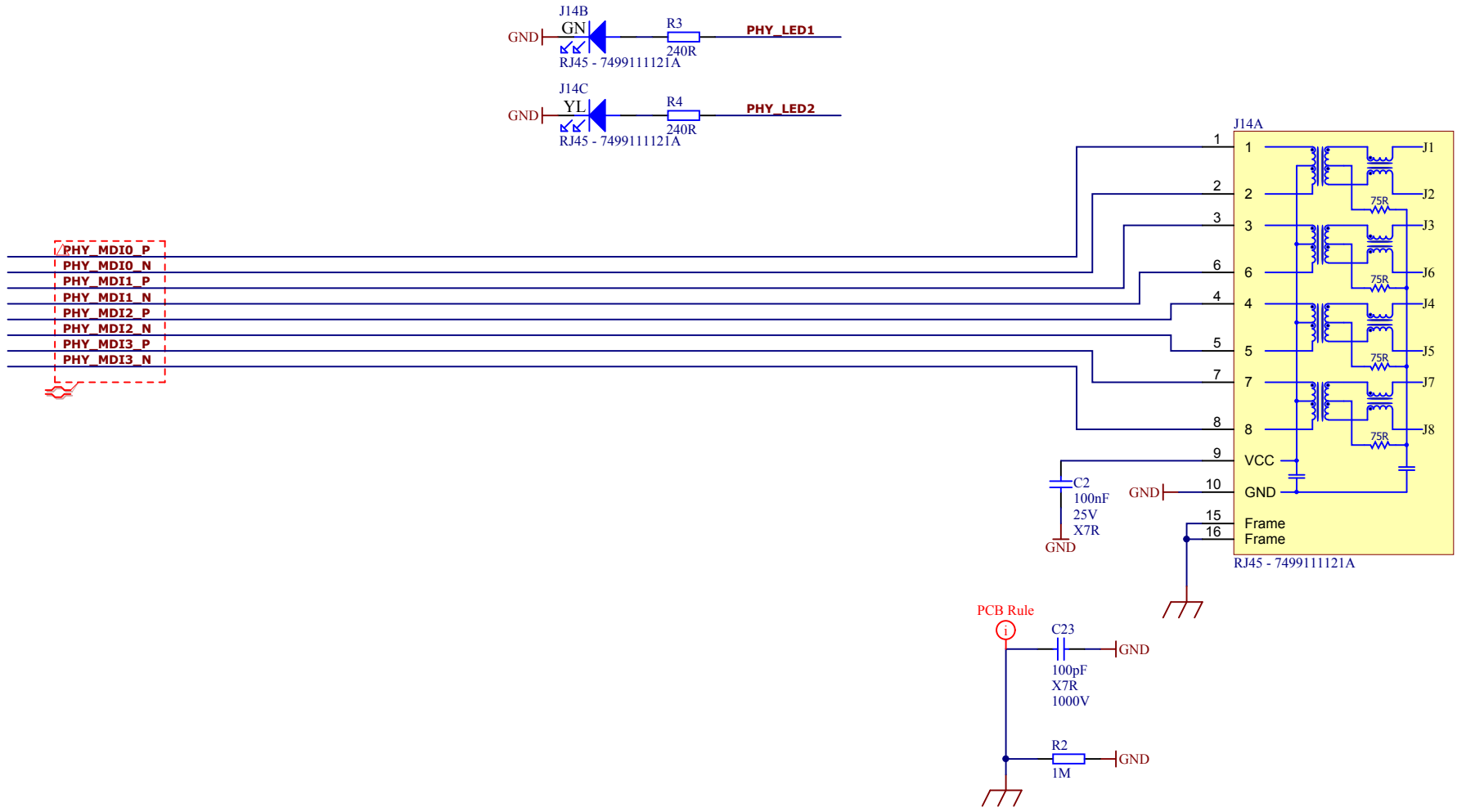
B

C

C

D

D



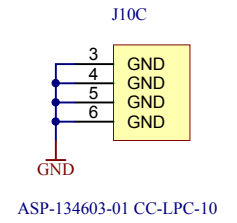
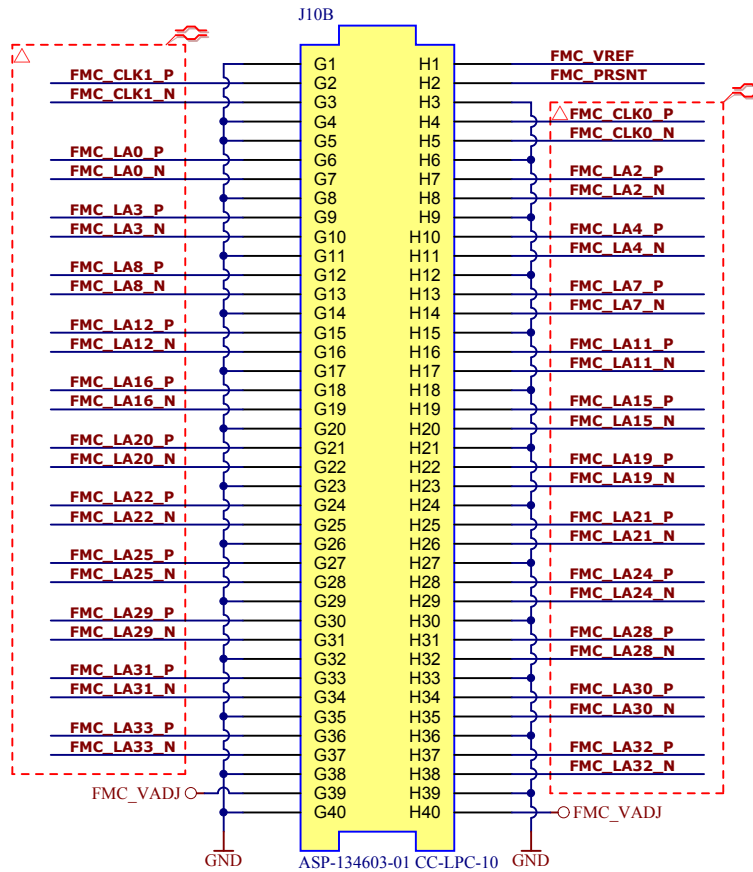
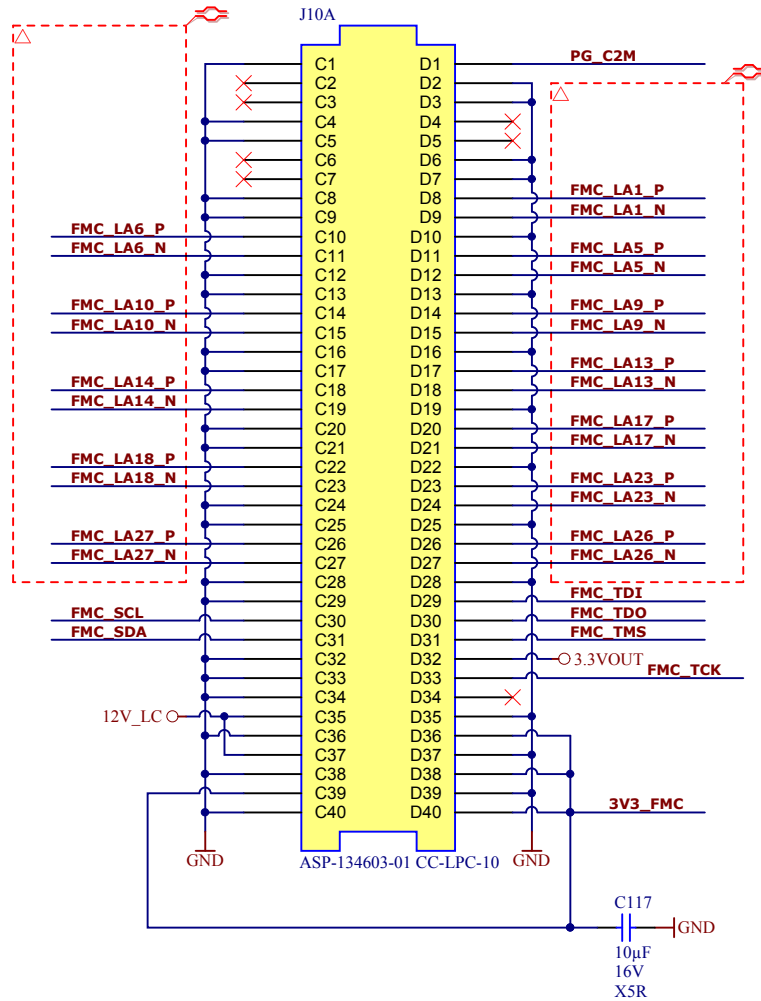
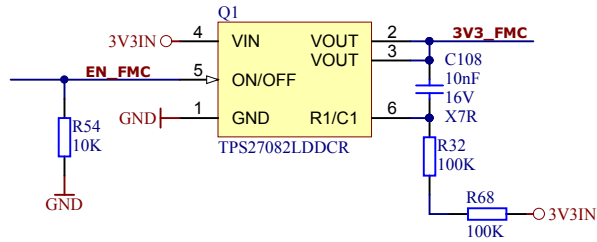
	Title: <b>TE0701 - Ethernet</b>		
	A4	Nummer: <b>TE0701 NO R8</b>	Rev. <b>05</b>
	Datum: 2013-5-7	Zeichner: Trenz Electronic GmbH	Blatt 5 von 18
	Filename: <b>Ethernet.SchDoc</b>		

1

2

3

4



Title: TE0701 - FMC		
A4	Number: TE0701 NO R8	Rev. 05
Date: 2013-5-7	Copyright: Trenz Electronic GmbH	Page6 of 18
Filename: FMC.SchDoc		

1

2

3

4

A

A

B

B

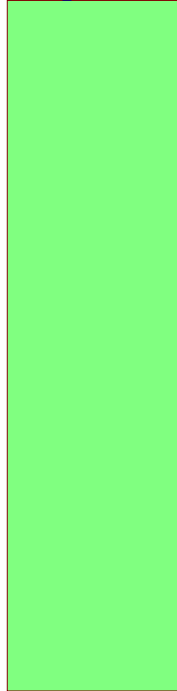
C

C

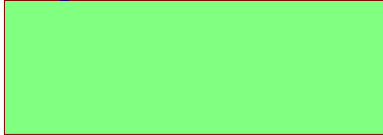
D

D

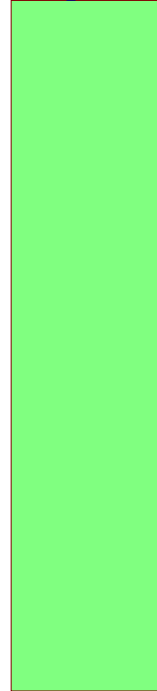
U\_TE0720\_JB1  
TE0720\_JB1.SchDoc



U\_TE0720\_JB3  
TE0720\_JB3.SchDoc



U\_TE0720\_JB2  
TE0720\_JB2.SchDoc



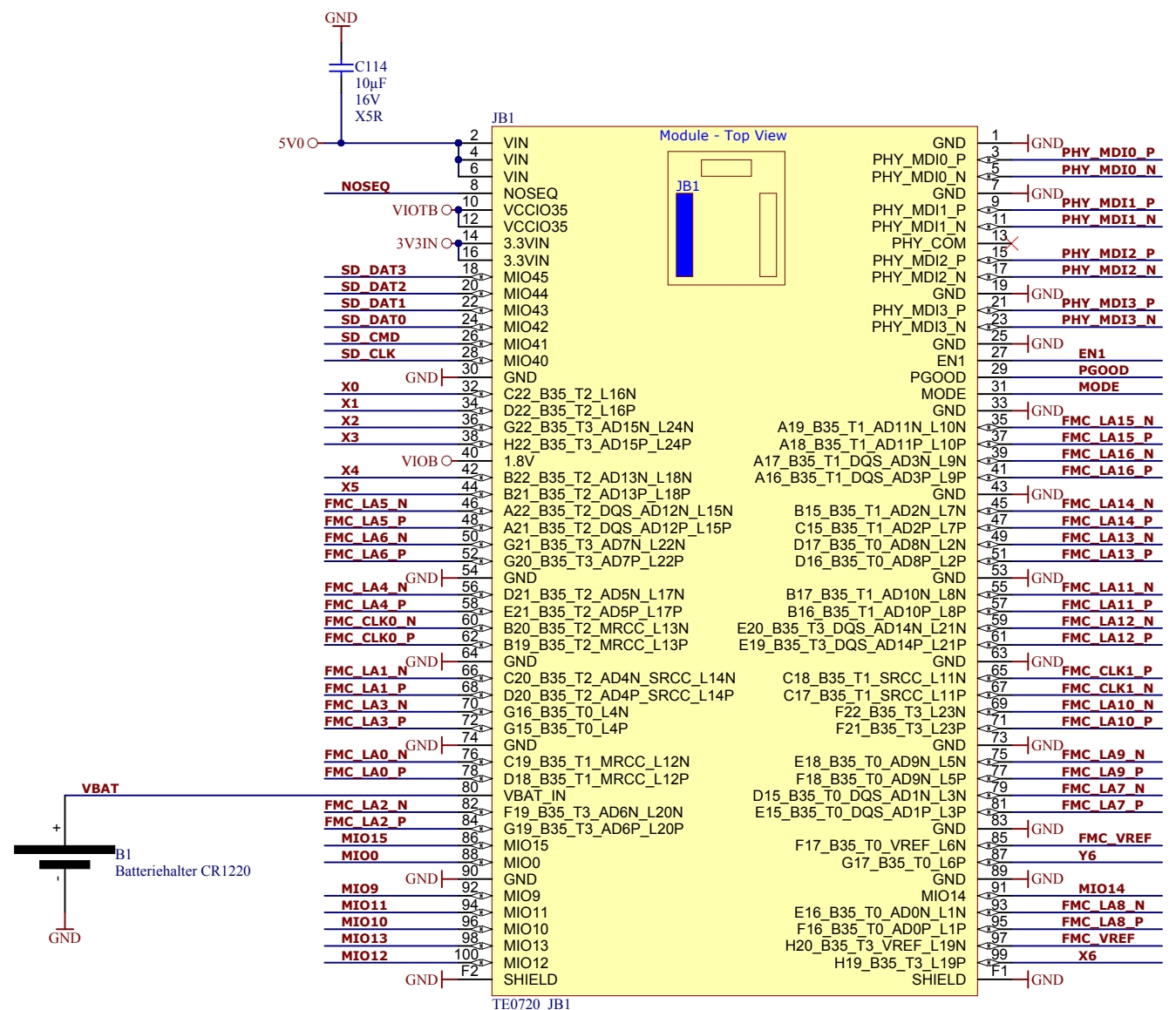

Title: <b>TE0701 - FPGA B2B Connectors</b>		
A4	Number: <b>TE0701 NO R8</b>	Rev. <b>05</b>
Date: <b>2013-5-7</b>	Copyright: <b>Trenz Electronic GmbH</b>	Page <b>7</b> of <b>18</b>
Filename: <b>FPGA_B2B_Connectors.SchDoc</b>		

1

2

3

4

Title: TE0701 - FPGA B2B Connectors		
A4	Number: TE0701 NO R8	Rev. 05
Date: 2013-5-7	Copyright: Trenz Electronic GmbH	Page 8 of 18
Filename: TE0720_JB1.SchDoc		

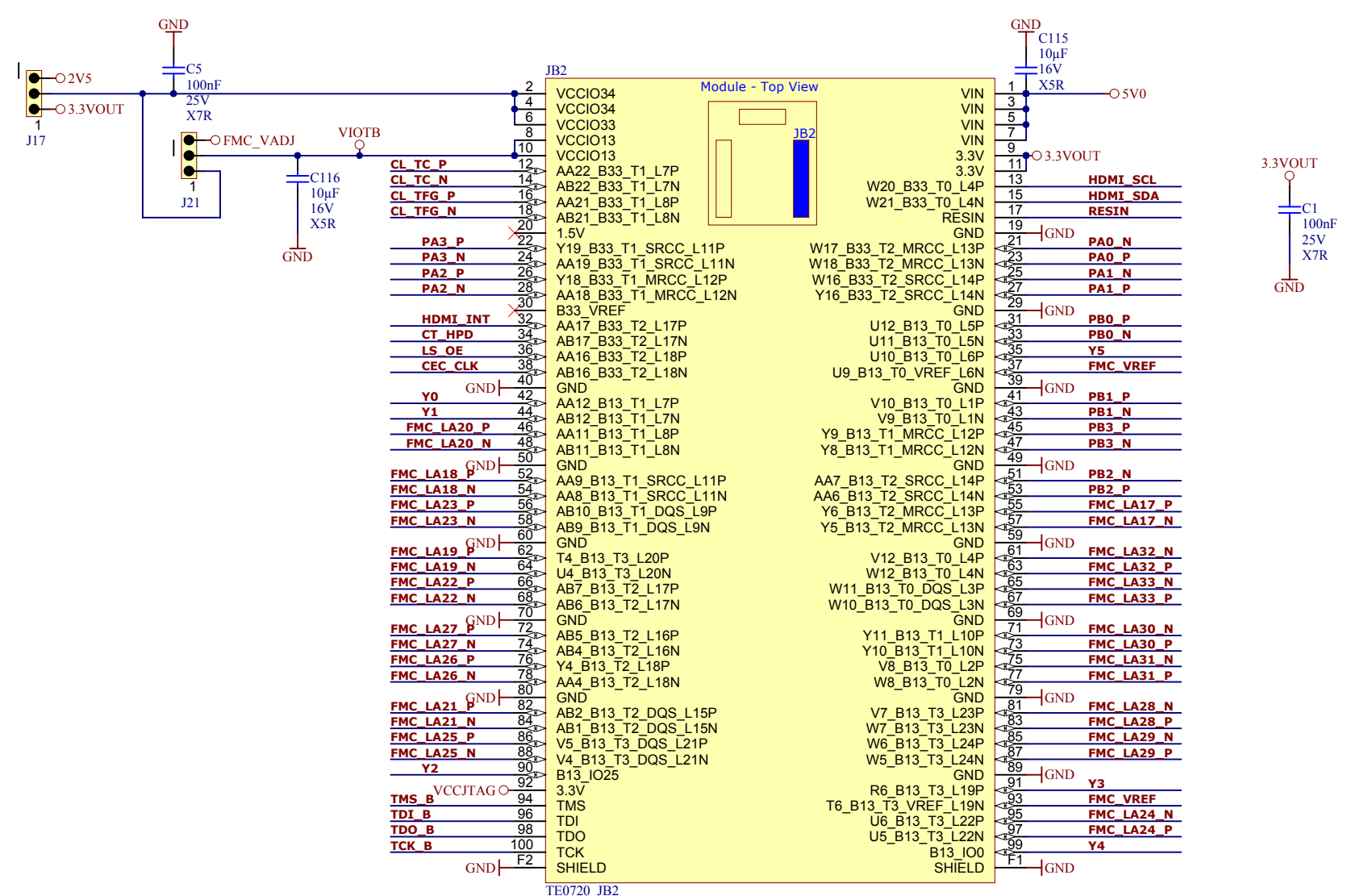



A

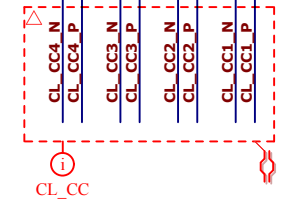
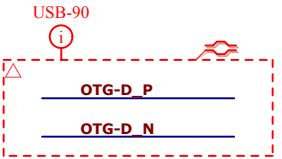
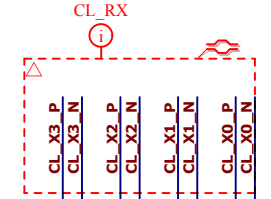
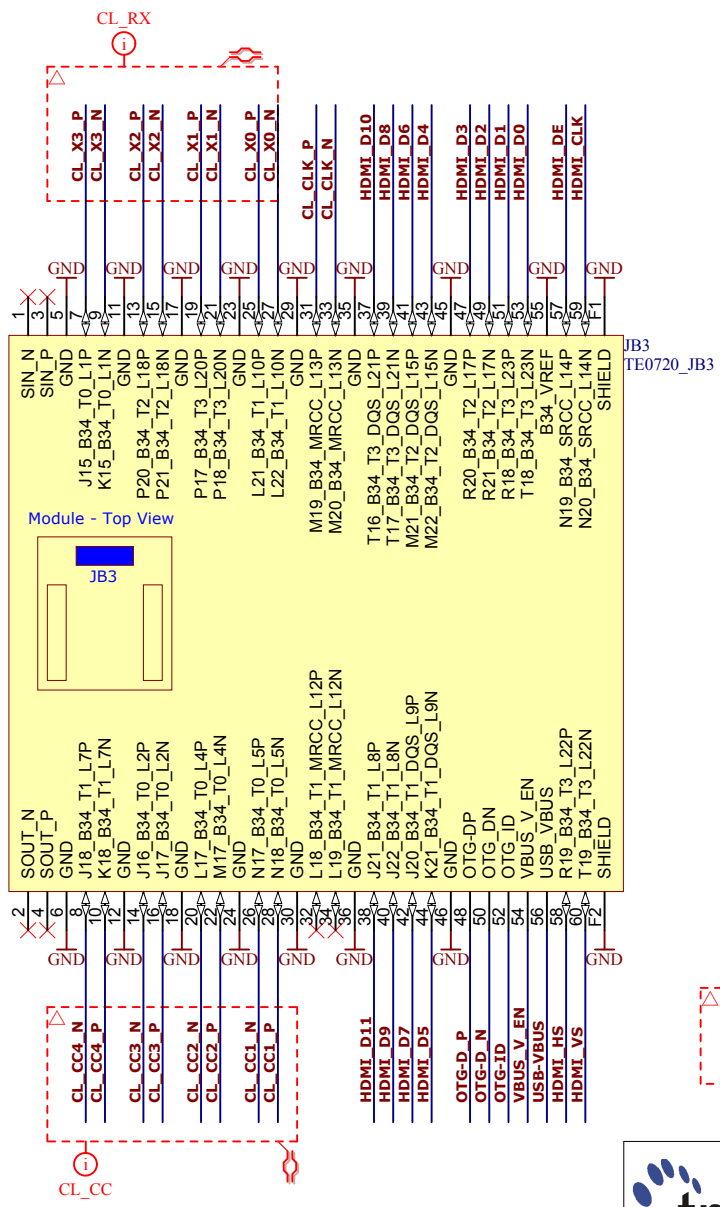
B

C

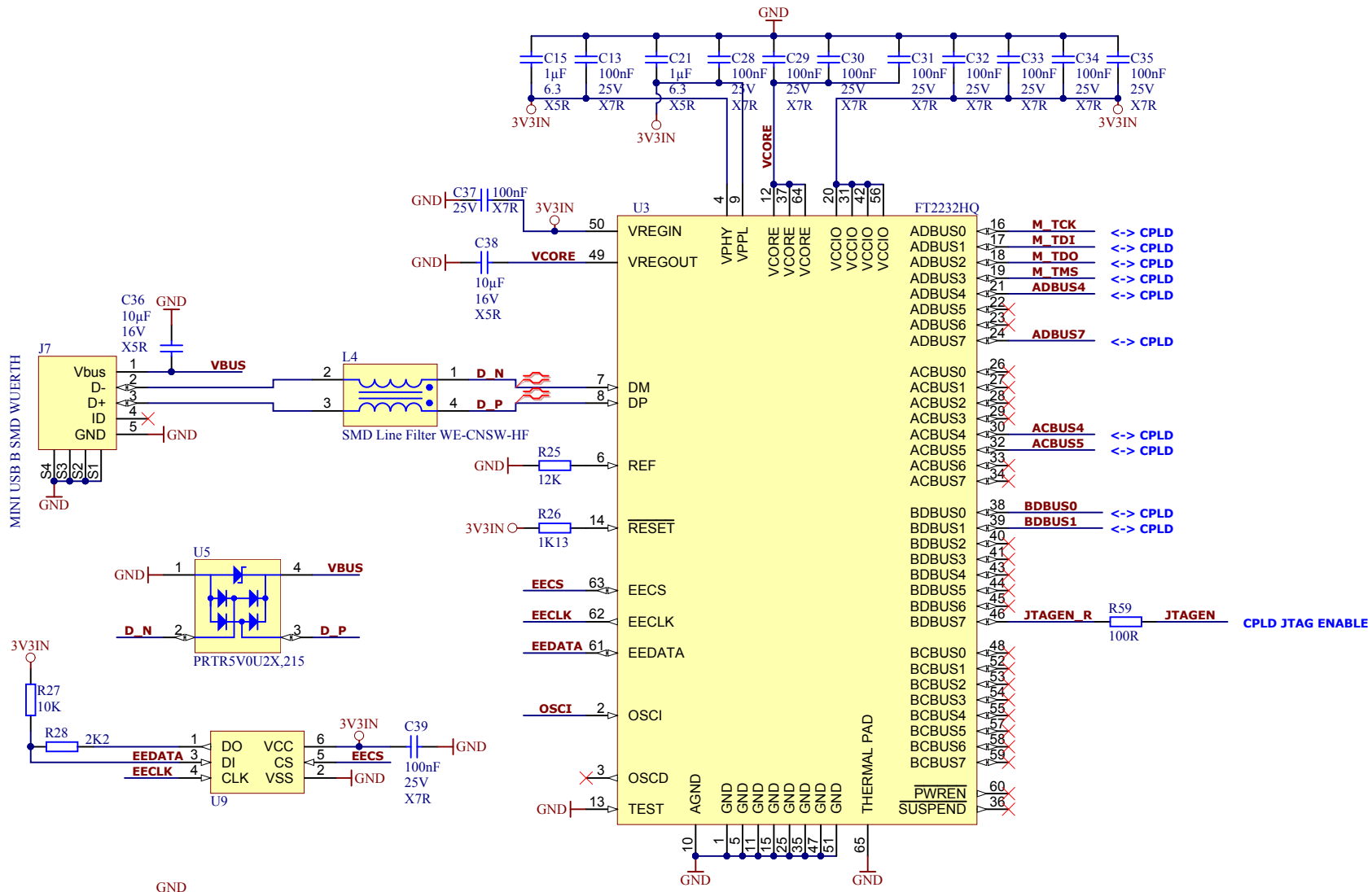
D

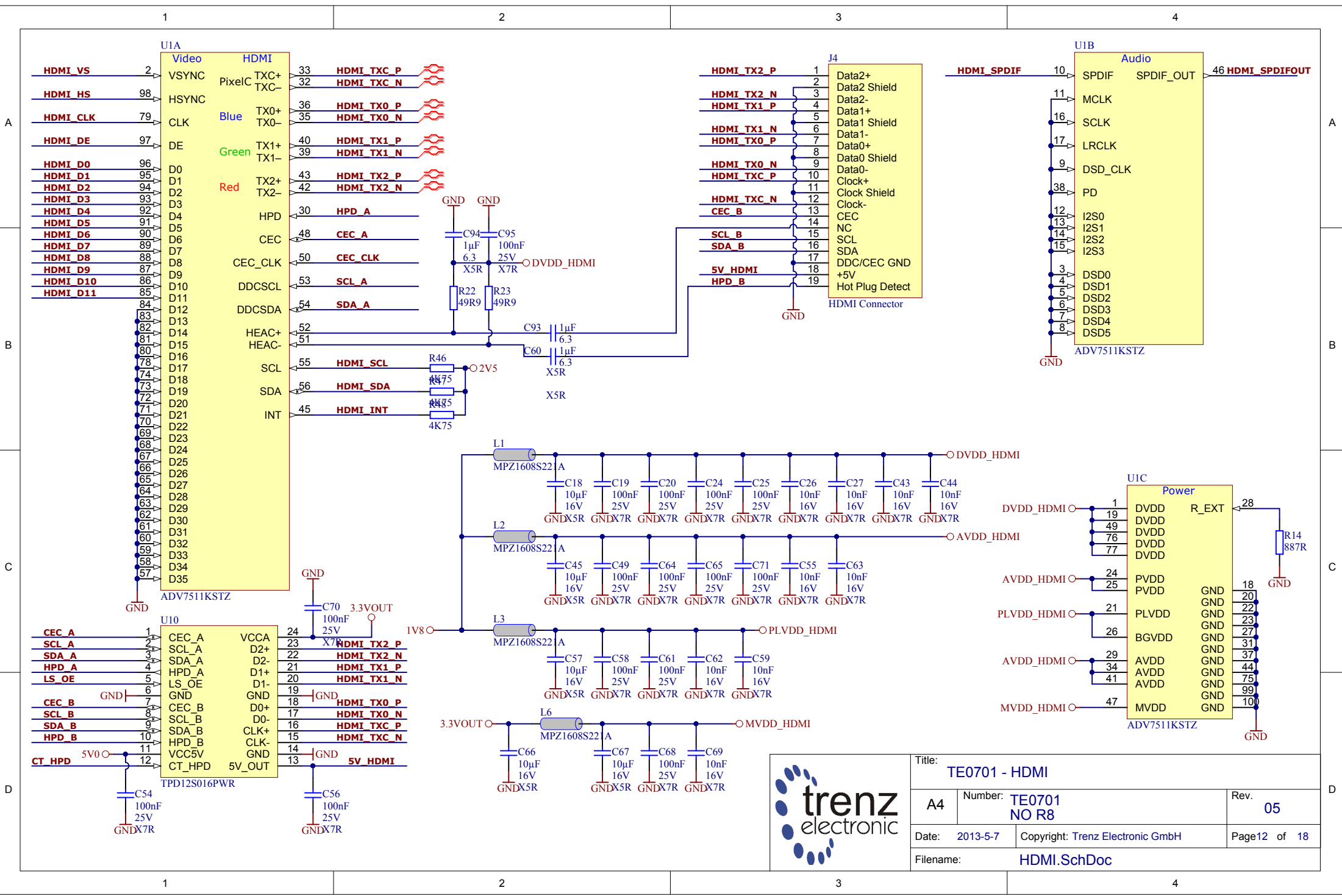
Title: TE0701 - FPGA B2B Connectors		
A4	Number: TE0701 NO R8	Rev. 05
Date: 2013-5-7	Copyright: Trenz Electronic GmbH	Page9 of 18
Filename: TE0720_JB2.SchDoc		



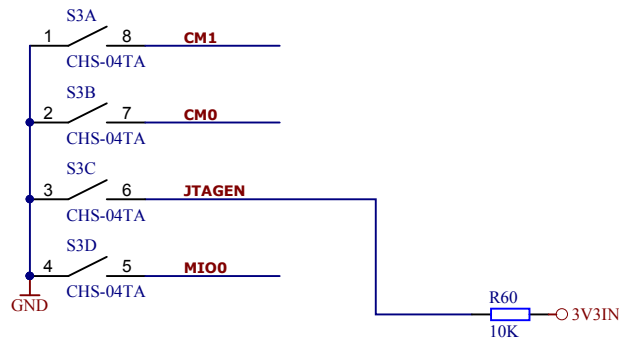
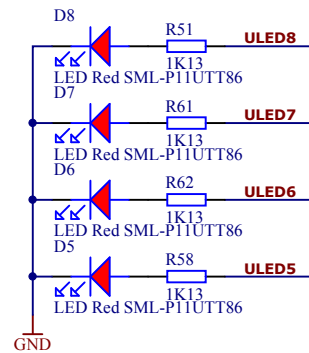
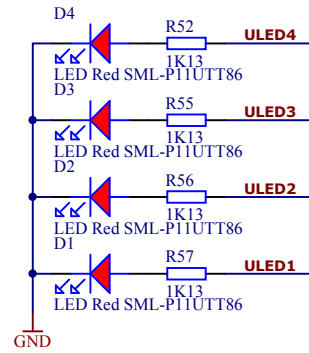
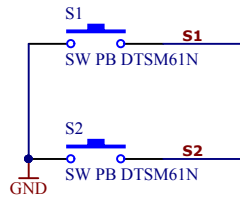
Title: TE0701 - FPGA B2B Connectors		
A4	Number: TE0701 NO R8	Rev. 05
Date: 2013-5-7	Copyright: Trenz Electronic GmbH	Page 10 of 18
Filename: TE0720_JB3.SchDoc		



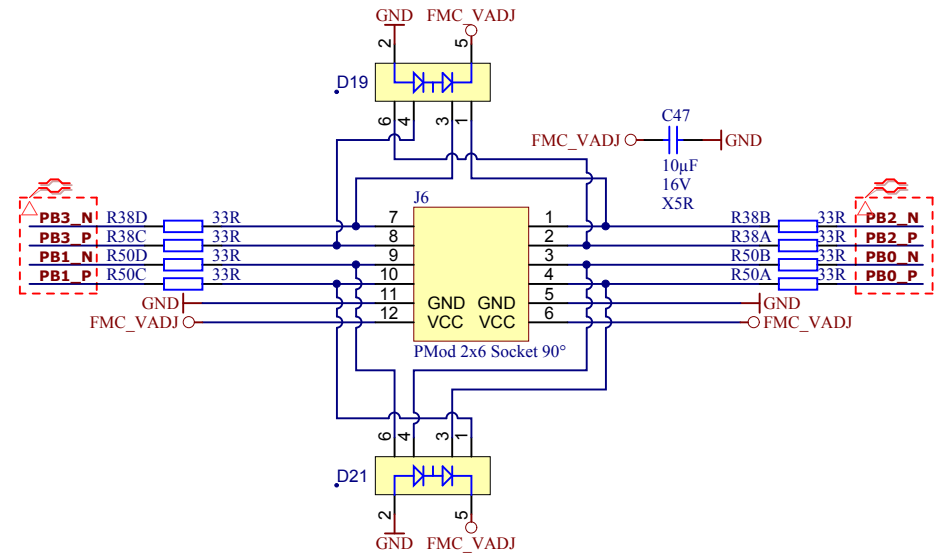
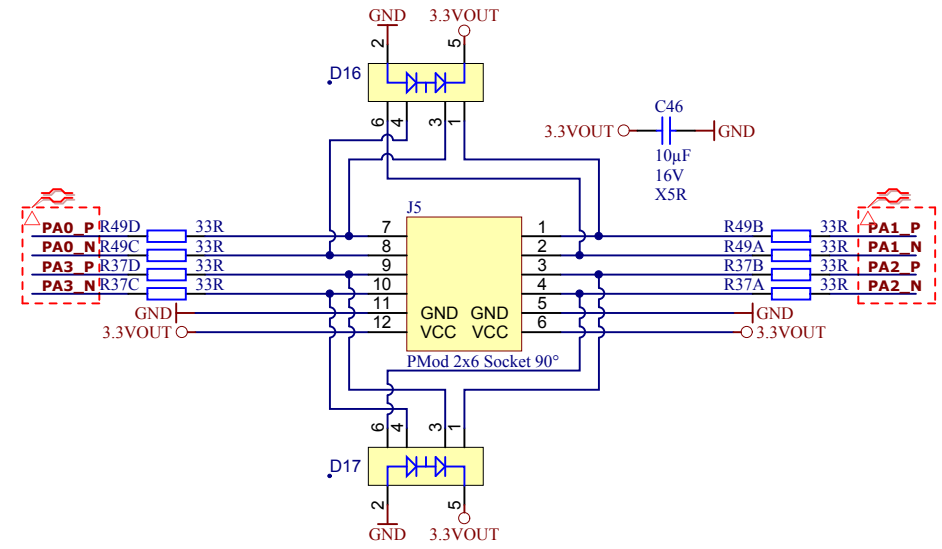
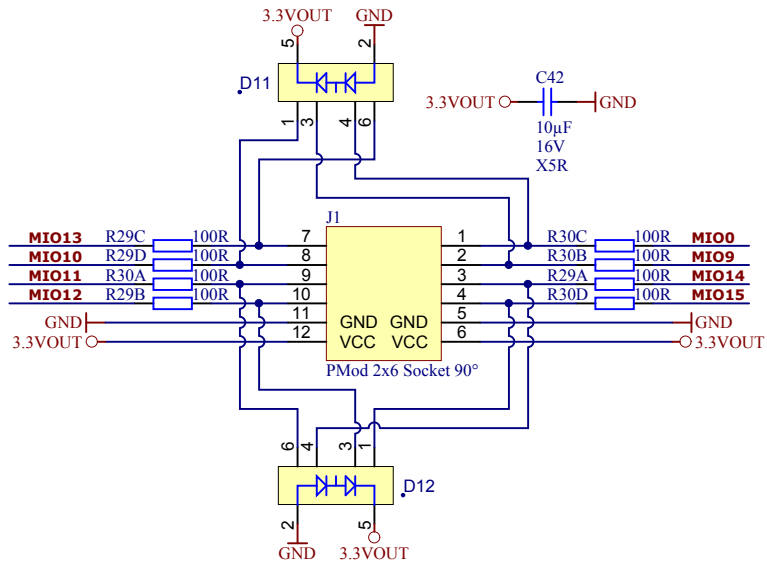
Title: TE0701 - FTDI USB		
A4	Number: TE0701 NO R8	Rev. 05
Date: 2013-5-7	Copyright: Trenz Electronic GmbH	Page 11 of 18
Filename: FTDI.SchDoc		



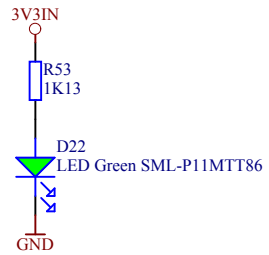
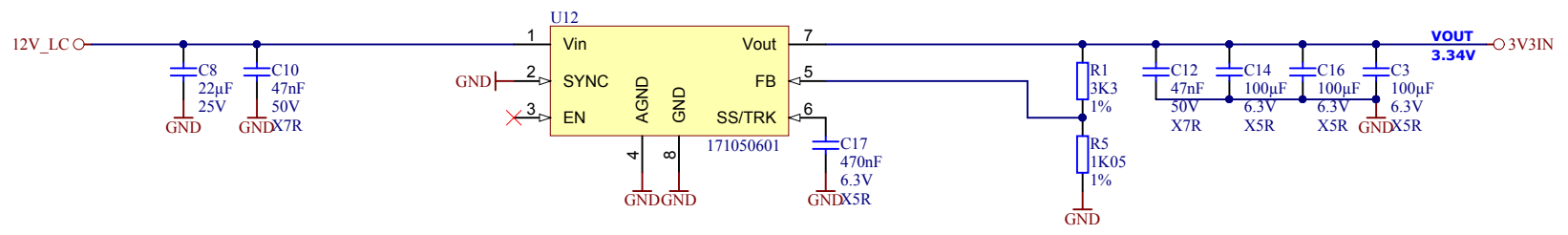
Title: <b>TE0701 - HDMI</b>			
A4	Number: <b>TE0701 NO R8</b>	Rev. <b>05</b>	
Date: 2013-5-7	Copyright: Trenz Electronic GmbH	Page 12 of 18	
Filename: <b>HDMI.SchDoc</b>			




Title: <b>TE0701 - LEDS &amp; SWS &amp; BUTTONS</b>		
A4	Number: <b>TE0701 NO R8</b>	Rev. <b>05</b>
Date: <b>2013-5-7</b>	Copyright: <b>Trenz Electronic GmbH</b>	Page <b>13</b> of <b>18</b>
Filename: <b>LED_SW_BUT.SchDoc</b>		



Title: TE0701 - PMODS		
A4	Number: TE0701 NO R8	Rev. 05
Date: 2013-5-7	Copyright: Trenz Electronic GmbH	Page 14 of 18
Filename: PMODs.SchDoc		



			Title: TE0701 - 3.3V POWER	
			A4	Number: TE0701 NO R8
Date: 2013-5-7		Copyright: Trenz Electronic GmbH		Page 15 of 18
Filename: POWER_3V3.SchDoc				

1

2

3

4

A

A

B

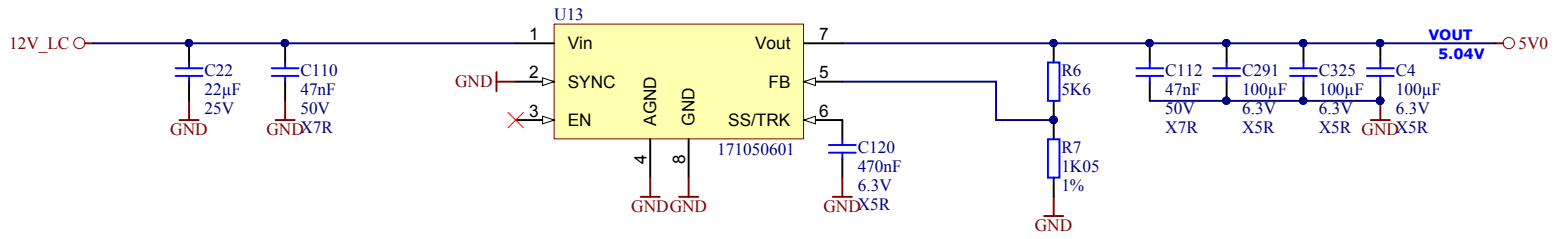
B


C

C

D

D



	Title: TE0701 - 5V POWER		
	A4	Number: TE0701 NO R8	Rev. 05
	Date: 2013-5-7	Copyright: Trenz Electronic GmbH	Page 16 of 18
	Filename: POWER_5V0.SchDoc		

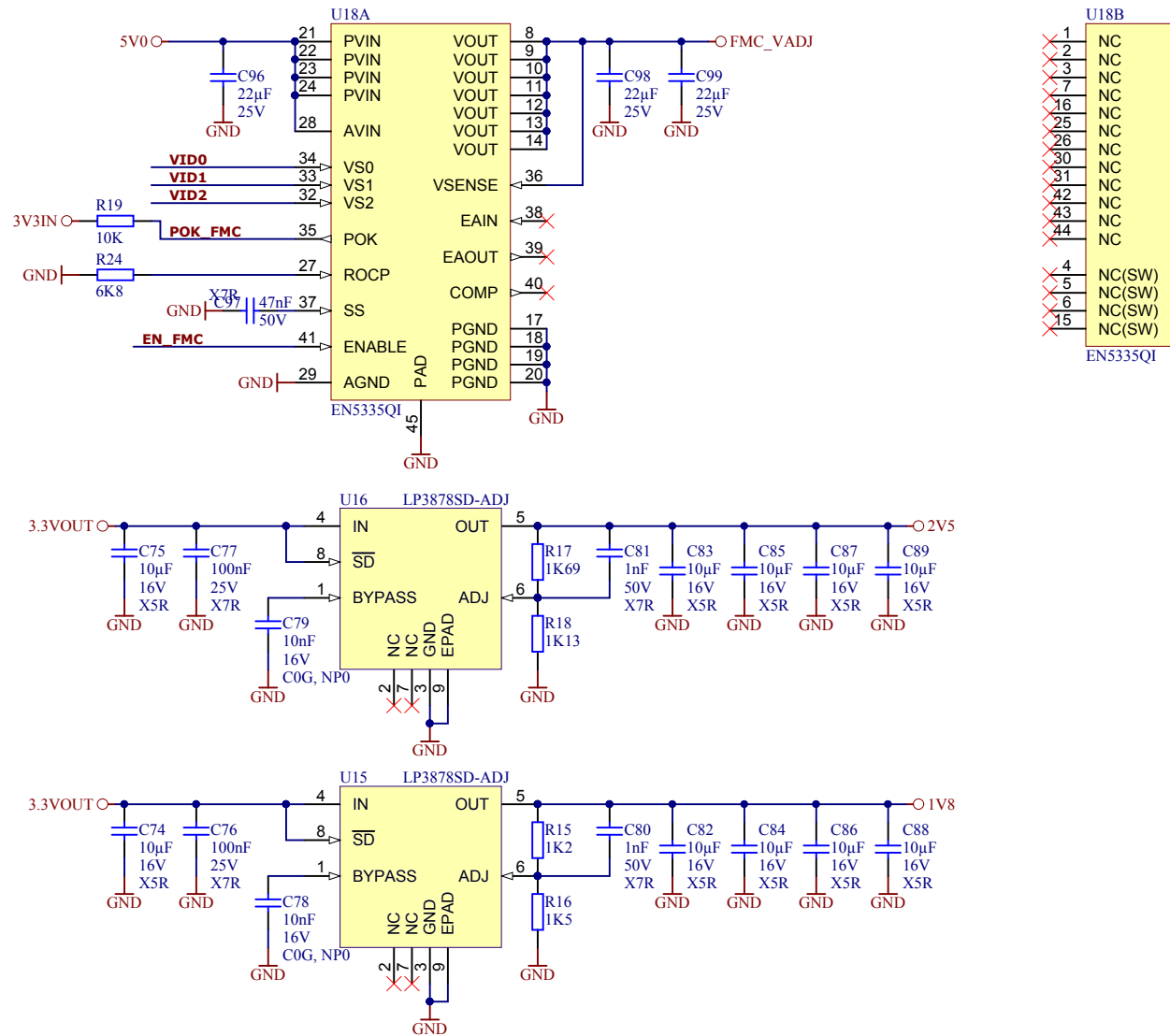
1

2

3

4






U18B

1	NC
2	NC
3	NC
7	NC
16	NC
25	NC
26	NC
30	NC
31	NC
42	NC
43	NC
44	NC
4	NC(SW)
5	NC(SW)
6	NC(SW)
15	NC(SW)

EN5335Q1



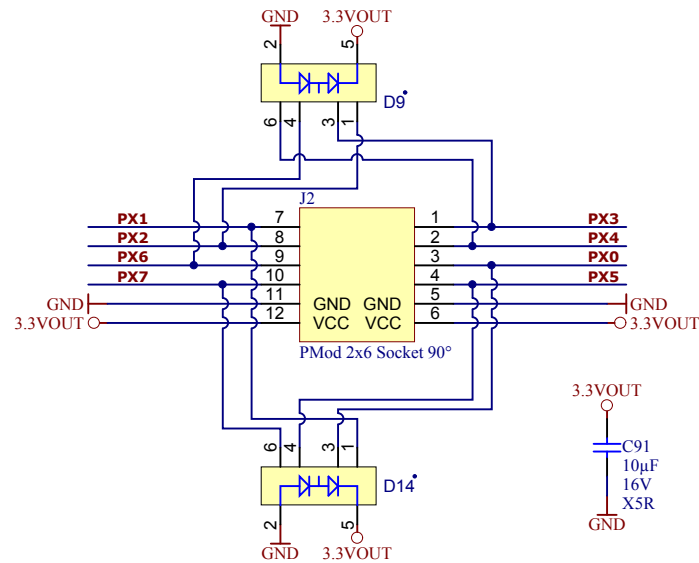
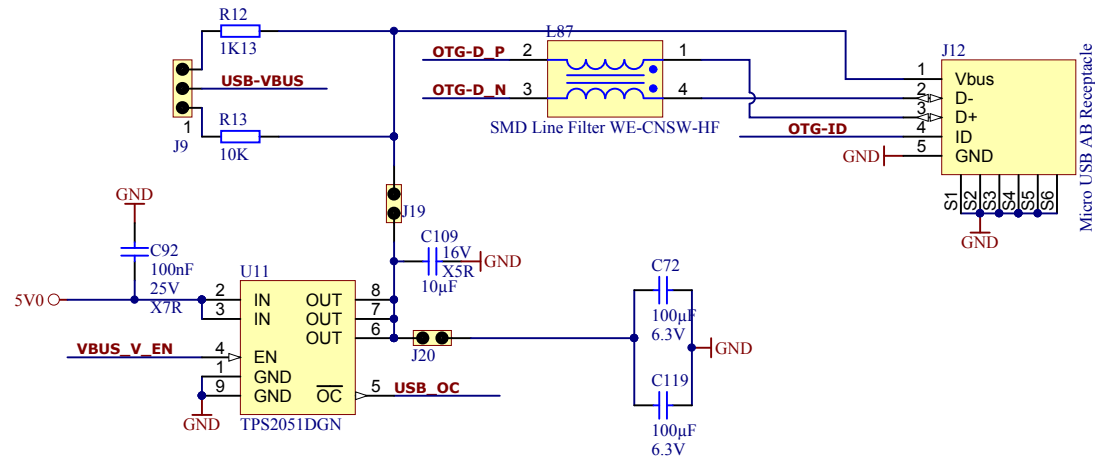
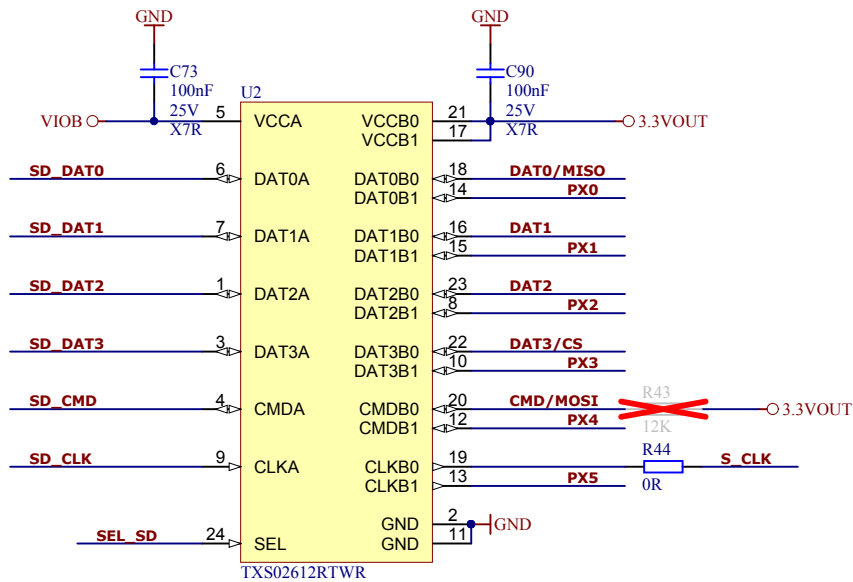
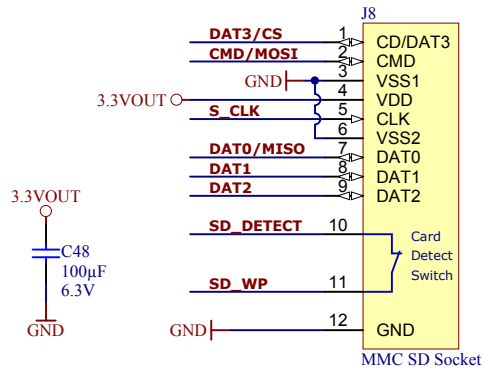
Title: TE0701 - MISC POWER		
A4	Number: TE0701 NO R8	Rev. 05
Date: 2013-5-7	Copyright: Trenz Electronic GmbH	Page 17 of 18
Filename: POWER_MISC.SchDoc		

1

2

3

4



Title: TE0701 - SD Card		
A4	Number: TE0701 NO R8	Rev. 05
Date: 2013-5-7	Copyright: Trenz Electronic GmbH	Page 18 of 18
Filename: SDCard.SchDoc		

1

2

3

4