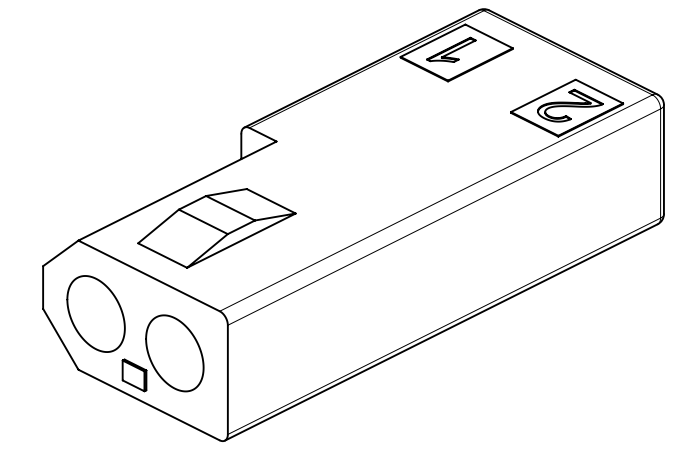


RECEPTACLE HOUSING
(1625-2R2 SHOWN)



RECEPTACLE HOUSING
(1625-2R3 SHOWN)

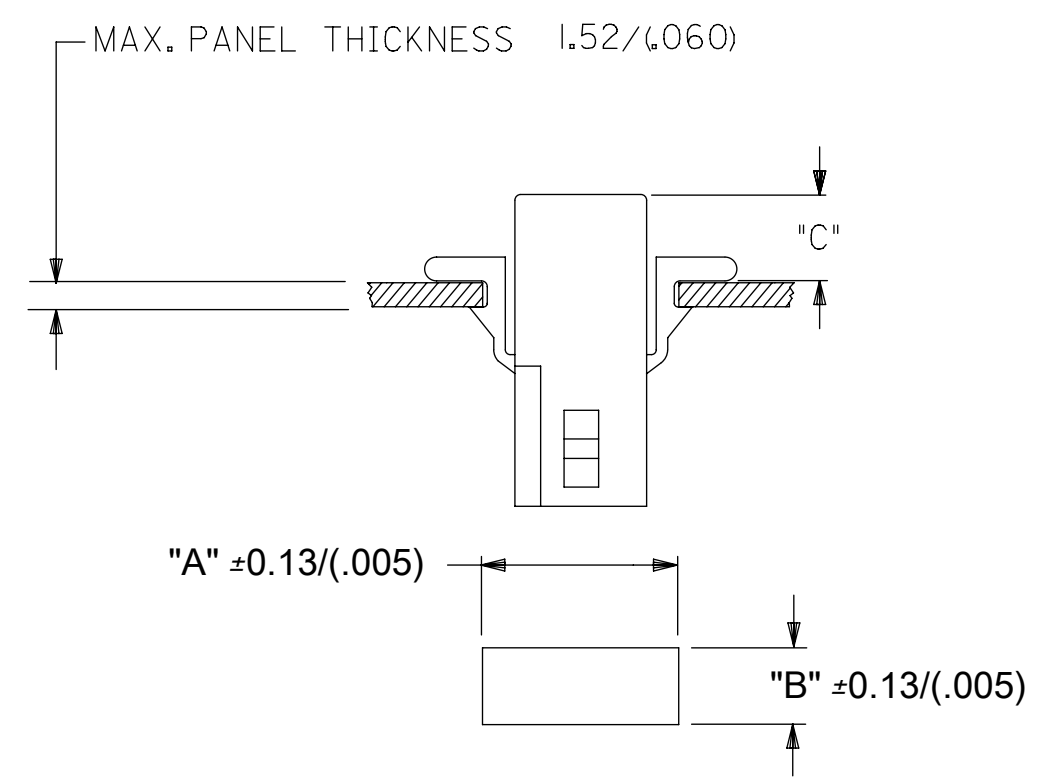
THIS DRAWING CONTAINS INFORMATION THAT IS PROPRIETARY TO MOLEX ELECTRONIC TECHNOLOGIES, LLC AND SHOULD NOT BE USED WITHOUT WRITTEN PERMISSION																												
QUALITY SYMBOLS ▽ = 0 ▽ = 0 ▽ = 0 ▽ = 0 ▽ = 0 ▽ = 0 ▽ = 0 ▽ = 0 ▽ = 0 ▽ = 0	REDRAWING IN NX 2017/07/17 2017/08/09 2017/08/10		GENERAL TOLERANCES (UNLESS SPECIFIED) <table border="1"> <tr> <th></th> <th>MM</th> <th>INCH</th> </tr> <tr> <td>4 PLACES</td> <td>±</td> <td>±</td> </tr> <tr> <td>3 PLACES</td> <td>±</td> <td>± 0.007</td> </tr> <tr> <td>2 PLACES</td> <td>± 0.18</td> <td>± 0.01</td> </tr> <tr> <td>1 PLACES</td> <td>± 0.25</td> <td>±</td> </tr> <tr> <td>0 PLACES</td> <td>±</td> <td>±</td> </tr> </table>			MM	INCH	4 PLACES	±	±	3 PLACES	±	± 0.007	2 PLACES	± 0.18	± 0.01	1 PLACES	± 0.25	±	0 PLACES	±	±	DIMENSION UNITS: MM/IN SCALE: 4:1					
		MM	INCH																									
	4 PLACES	±	±																									
	3 PLACES	±	± 0.007																									
	2 PLACES	± 0.18	± 0.01																									
	1 PLACES	± 0.25	±																									
	0 PLACES	±	±																									
	EC NO: 120335 DRWN: MKIPPER CHKD: MKIPPER REV / APPR: FSMITH	DRWN BY: ZHARPER DATE: 2017/06/20	CHK'D BY: MKIPPER DATE: 2017/06/20	.062 2CKT PLUG AND RECEPTACLE HOUSING																								
	ANGULAR TOL = 1.0			APPR BY: FSMITH DATE: 2017/06/30	PRODUCT CUSTOMER DRAWING																							
	DRAFT WHERE APPLICABLE MUST REMAIN WITHIN DIMENSIONS			DRAWING SIZE: C	THIRD ANGLE PROJECTION		SERIES: 1625 MATERIAL NUMBER: SEE CHART CUSTOMER:																					
					DOCUMENT NUMBER: 16250200-SD DOC TYPE: PSD DOC PART: 000 SHEET NUMBER: 2 OF 3																							

PLUG	
PART NO.	ENG. NO.
03-06-7023	1625-2P1BK
03-06-2023	1625-2P1
03-06-2024	1625-2P2

PLUG LEGEND:
 1625-2P **
 CIRCUIT SIZE
 P = PLUG
 1 = WITHOUT MOUNTING EARS
 2 = WITH PREBENT MOUNTING EARS
 BLANK = NATURAL
 BK = BLACK

RECEPTACLE	
PART NO.	ENG. NO.
03-06-6023	1625-2R1BK
03-06-1023	1625-2R1
03-06-1022	1625-2R2

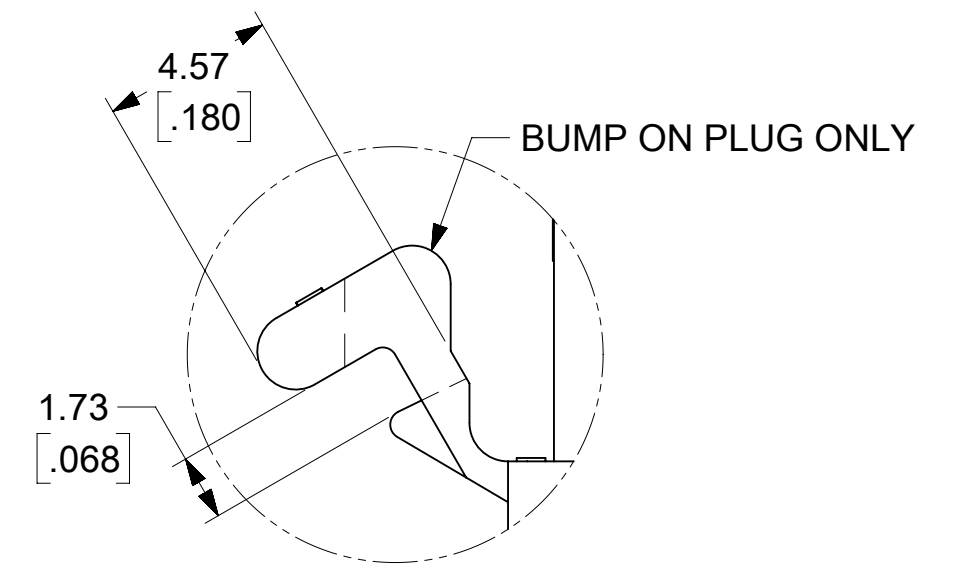
RECEPTACLE LEGEND:
 1625-2R **
 CIRCUIT SIZE
 R = RECEPTACLE
 1 = WITHOUT MOUNTING EARS; WITH DETENTS
 2 = WITH PREBENT MOUNTING EARS; WITH DETENTS
 BLANK = NATURAL
 BK = BLACK



"A" ±0.13/(.005)
 "B" ±0.13/(.005)

RECOMMENDED HOLE PATTERN
(NOT TO SCALE)

HOUSING	DIM. "A"	DIM. "B"	PREBENT EAR DIM. "C"	STD. EAR DIM. "C"
PLUG	15.47 [.609]	8.08 [.318]	6.0 [.24]	6.1 [.24]
RECEPTACLE	12.83 [.505]	6.73 [.265]	6.4 [.25]	6.4 [.25]

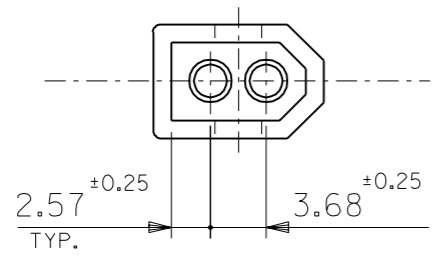
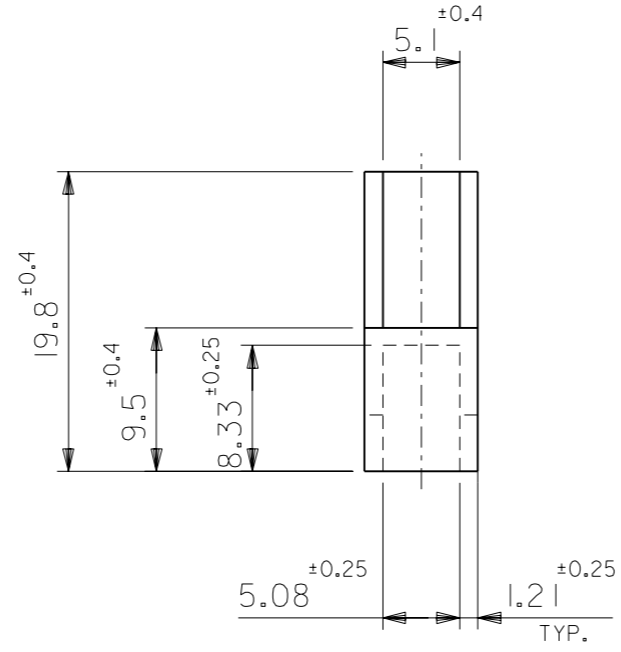
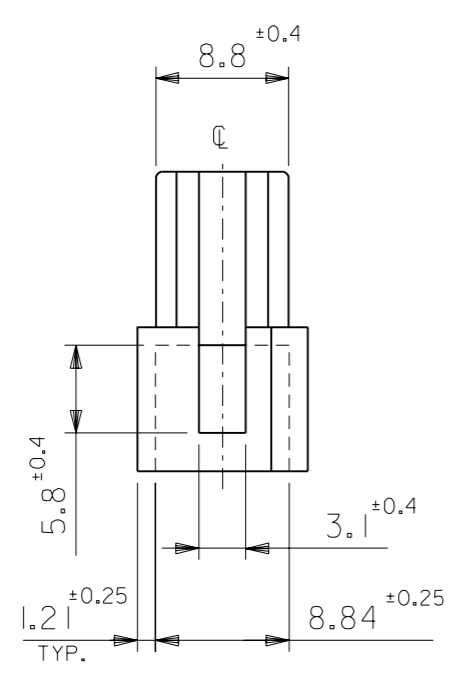
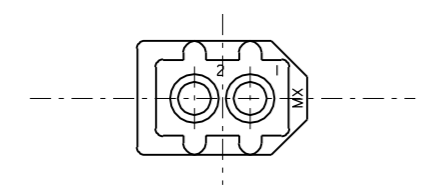


DETAIL B
SCALE 5:1

- NOTES:**
1. MATERIAL - NYLON TYPE 6/6, 94V-2
 2. FINISH: NONE
 3. PRODUCT SPECIFICATION: PS-02-06
 4. PACKAGING SPECIFICATION: PK-1625-003.
 5. HOUSING FOR USE WITH MOLEX .062/(1.57) DIA. SERIES TERMINALS.
 6. CIRCUIT I.D. NUMBERS ON SIDE OF HOUSING APPEAR ON PARTS FROM TOOLS BUILT AFTER 07/01/1991.
 7. THIS PART CONFORMS TO CLASS B REQUIRMENTS OF COSMETIC SPECIFICATION PS-45499-002.
 8. THIS DRAWING REPLACES SD-1625-2*.

QUALITY SYMBOLS		THIS DRAWING CONTAINS INFORMATION THAT IS PROPRIETARY TO MOLEX ELECTRONIC TECHNOLOGIES, LLC AND SHOULD NOT BE USED WITHOUT WRITTEN PERMISSION			
REDRAWING IN NX EC NO: 120335 DRWN: MKIPPER CHKD: MKIPPER REV / APPR: FSMITH	2017/07/17	2017/08/09	2017/08/10	GENERAL TOLERANCES (UNLESS SPECIFIED)	
	MM		INCH		DIMENSION UNITS
	4 PLACES ±		±		MM/IN
	3 PLACES ±		± 0.007		SCALE
	2 PLACES ± 0.18		± 0.01		4:1
1 PLACES ± 0.25		±		DRWN BY	
0 PLACES ±		±		DATE	
ANGULAR TOL = 1.0		DRAFT WHERE APPLICABLE MUST REMAIN WITHIN DIMENSIONS		ZHARPER	2017/06/20
DRAWING SIZE		THIRD ANGLE PROJECTION		CHK'D BY	DATE
C		C		MKIPPER	2017/06/20
A		A		APPR BY	DATE
A		A		FSMITH	2017/06/30
P1		P1		PRODUCT CUSTOMER DRAWING	
10.08.2017		10.08.2017		SERIES	MATERIAL NUMBER
20:12:36		20:12:36		1625	SEE CHART
11		11		CUSTOMER	
12		12		DOCUMENT NUMBER	DOC TYPE
12		12		16250200-SD	PSD
11		11		DOC PART	000
10		10		SHEET NUMBER	3 OF 3
9		9		1	
8		8		1	
7		7		1	
6		6		1	
5		5		1	
4		4		1	
3		3		1	
2		2		1	
1		1		1	

DWG. NO.
SD-1625-2P1



注記
NOTE

材質: ナイロン66, 94V-2
MATERIAL: NYLON66, 94V-2

DIMENSIONS IN METRIC DO NOT SCALE DRAWING

角度 ANGLE	±3°						
30 以上 OVER	±0.3						
10 以上 30 未満 OVER UNDER	±0.25	E	REVISED	(JC90389)	S.K.	M.F.	'98/12/23
10 未満 UNDER	±0.2	D	再作図 REDRAWN	(JC70302)	H.I.	M.F.	'96/07/08
一般公差 GENERAL TOLERANCES		記号 LTR	変更内容 REVISION RECORD		DR. CHK.	日付 DATE	

材料 MATERIAL	☑中参照 REFER TO DRAWING
仕上げ FINISH	—
適用電線範囲 WIRE RANGE	—
被覆外径 INS. RANGE	—
DRAWN BY '98/12/23	CHK'D BY '98/12/23
H.IIJIMA	S.KUNISHI
APP'D BY '98/12/23	尺度 SCALE 2 : 1
M.FUKUSHIMA	

1625-2P1	03-06-2023
ENG NO.	PART NO.
MOLEX-JAPAN CO.,LTD. 日本モレックス株式会社	
REVISE ONLY ON CAD SYSTEM	
TITLE 名称 .062 DIA. 2 CIRCUIT PLUG HOUSING	
DWG. NO. SD-1625-2P1	REV E