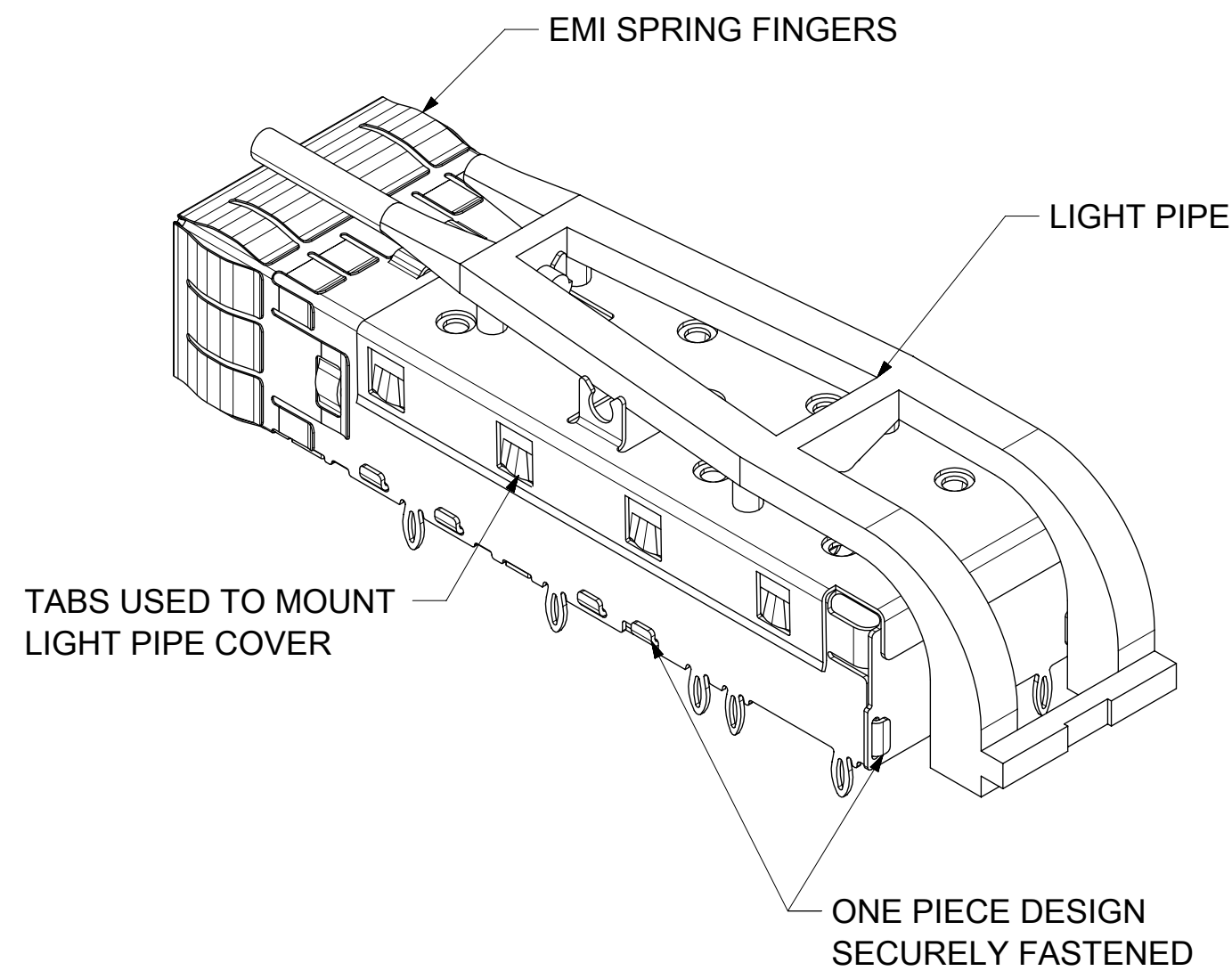


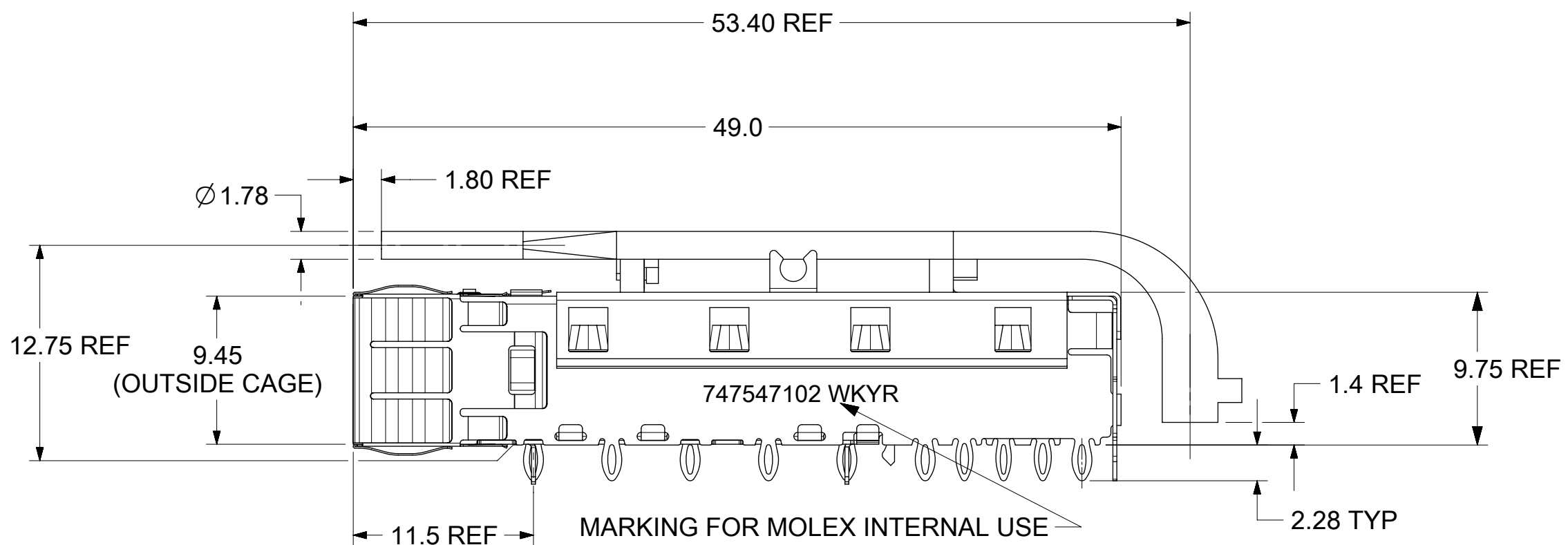
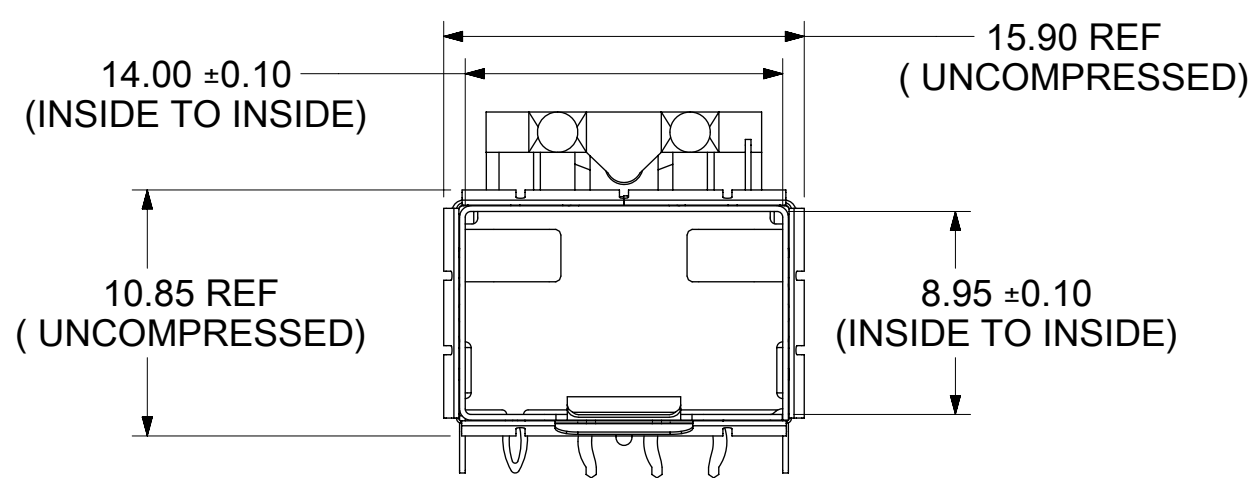
**747548725 SHOWN**

COMMON DETAILS



PART NO. AND WEEK/YEAR DATE CODE TO BE PRINTED ON THE SIDE OF COMPLETED CAGE ASSEMBLY APPROXIMATELY AS SHOWN  
SEE TABLE BELOW FOR DATE CODE INFORMATION

WEEK/YEAR DATE CODE TABLE	
WK	01 THRU 52 OR 53 EXAMPLE: 01 = FIRST WEEK OF YEAR 52 = LAST WEEK OF YEAR
YR	LAST TWO DIGITS OF THE YEAR, 23, 24, 25 ETC. EXAMPLE: YEAR 2023 = 23



**NOTES:**

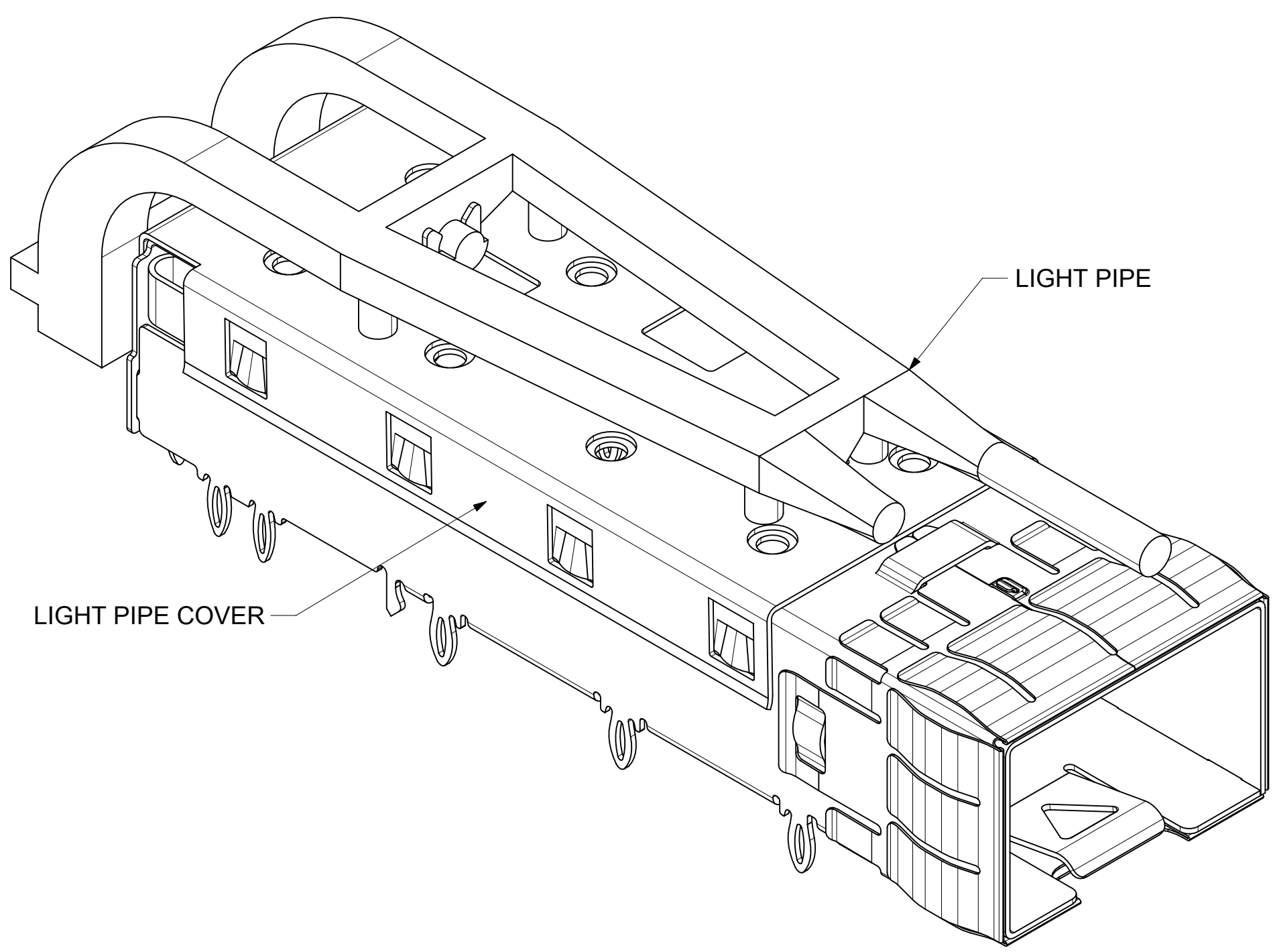
- MATERIAL:**  
CAGE: 0.25mm THICK COPPER ALLOY, NICKEL PLATED  
SPRING FINGER: STAINLESS STEEL.  
LIGHT PIPE COVER: COPPER ALLOY  
LIGHT PIPE: POLYCARBONATE (94-V0 RATED)
- PRESS FIT LEGS 2.28mm LONG:**  
1.57mm MINIMUM PCB THICKNESS FOR SINGLE SIDED USE  
3.00mm MINIMUM PCB THICKNESS FOR BELLY TO BELLY USE
- OPTIONAL LIGHT PIPE ASSEMBLY AVAILABLE**
- PORTS ARE DESIGNED FOR SFP+ TRANSCEIVERS AND ARE COMPATIBLE WITH SFP TRANSCEIVERS**
- THE RECOMMENDATION LED PACKAGE TYPE IS 0402 (INCH)**
- NO RoHS EXEMPTIONS.**

THIS DRAWING CONTAINS INFORMATION THAT IS PROPRIETARY TO MOLEX ELECTRONIC TECHNOLOGIES, LLC AND SHOULD NOT BE USED WITHOUT WRITTEN PERMISSION

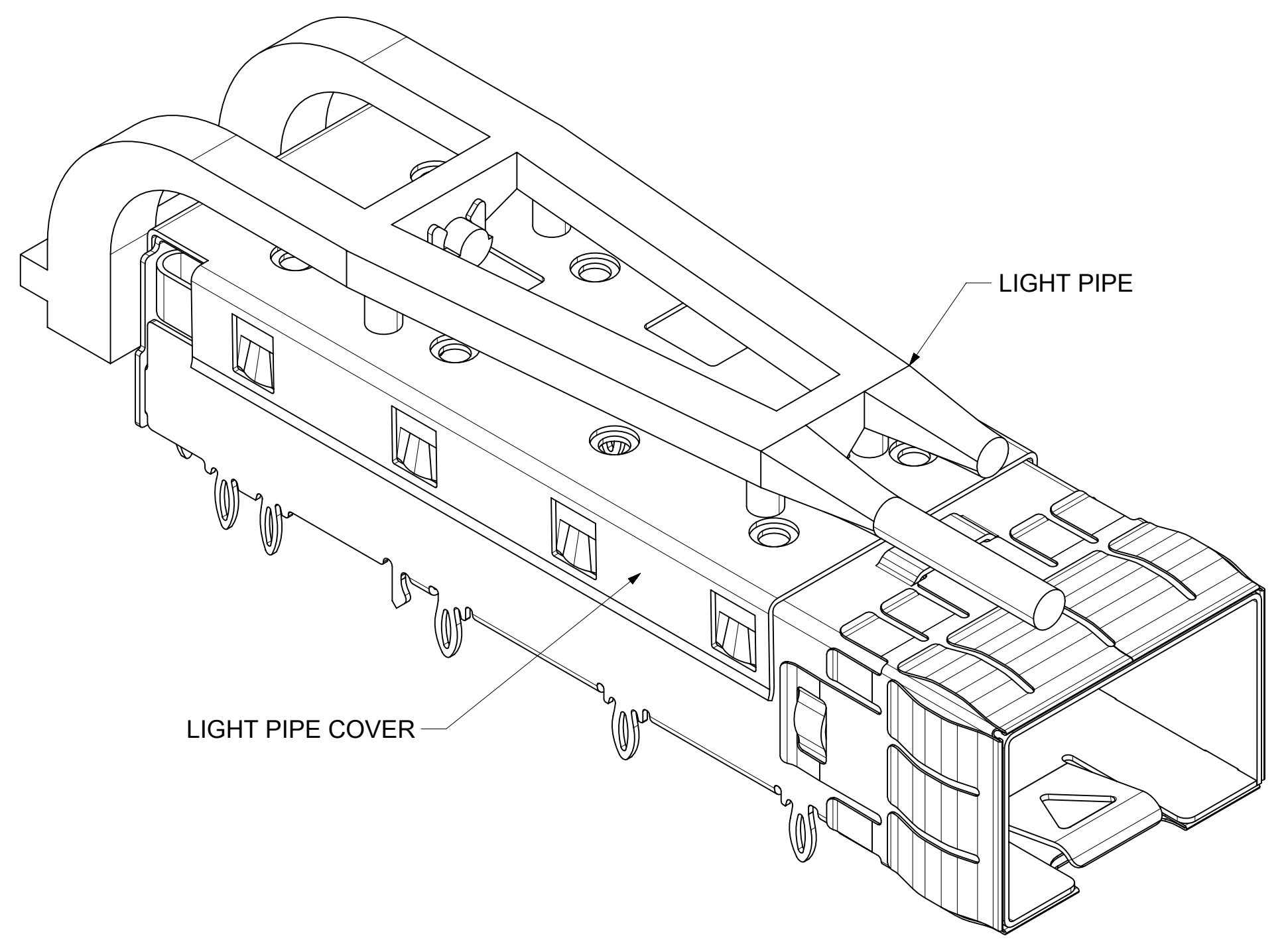
DIMENSION UNITS	SCALE	CURRENT REV DESC: SEE REV TABLE		<b>molex</b>			
mm	3:1			SFP+ 1X1 CAGE ASSY PRESS FIT TYPE, W/ SUS EMI SPRING FINGER & CUSTOM LIGHT PIPE			
GENERAL TOLERANCES (UNLESS SPECIFIED)		EC NO: 743532		PRODUCT CUSTOMER DRAWING			
ANGULAR TOL ± 1.0°		DRWN: PKH 2022/09/13		DOCUMENT NUMBER			
4 PLACES ±		CHK'D: AMRUTH 2023/03/23		747548725			
3 PLACES ±		APPR: TKUMARKC 2023/03/24		PSD ASY A1			
2 PLACES ± 0.15		INITIAL REVISION:		SHEET NUMBER			
1 PLACE ± 0.25		DRWN: PKH 2022/04/06		SEE SHEET 2			
0 PLACES ±		APPR: SCHIEN 2022/05/26		1 OF 7			
DRAFT WHERE APPLICABLE MUST REMAIN WITHIN DIMENSIONS		THIRD ANGLE PROJECTION		DRAWING		SERIES	
		C-SIZE		74754			
				MATERIAL NUMBER		CUSTOMER	

DOCUMENT STATUS	P1	RELEASE DATE	2023/03/24	02:49:02
-----------------	----	--------------	------------	----------

747548725 SHOWN



747548726 SHOWN

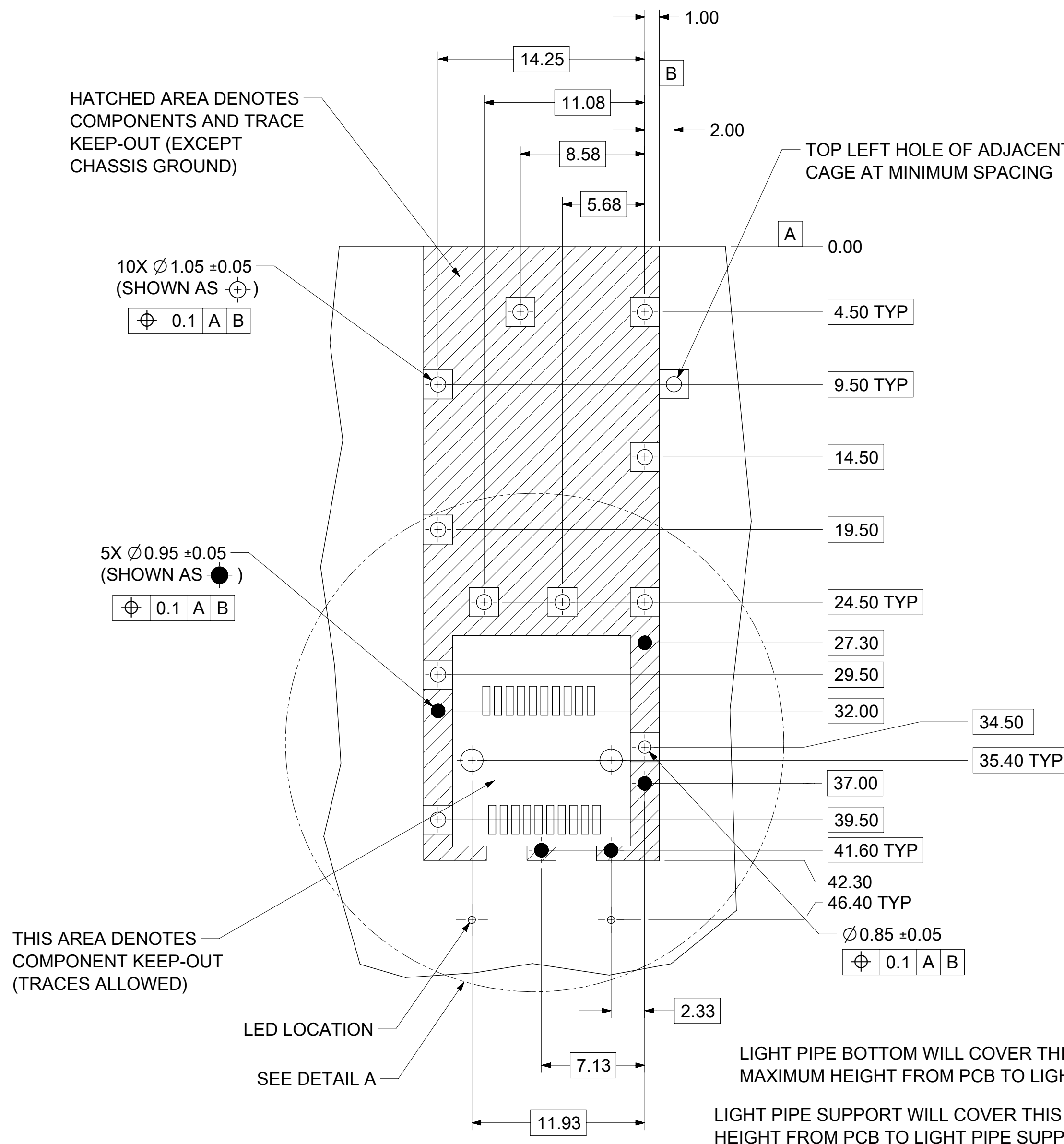


SL NO	FG PART NUMBER	DESCRIPTION	LIGHT PIPE
1	747548725	SFP+ 1X1 CAGE 2.28MM PRESS FIT PINS,SUS EMI SPRING FINGER W/ CUSTOM LIGHT PIPE	LEFT SIDE LIGHT PIPE TIP REMOVED
2	747548726	SFP+ 1X1 CAGE 2.28MM PRESS FIT PINS,SUS EMI SPRING FINGER W/ CUSTOM LIGHT PIPE	RIGHT SIDE LIGHT PIPE TIP REMOVED

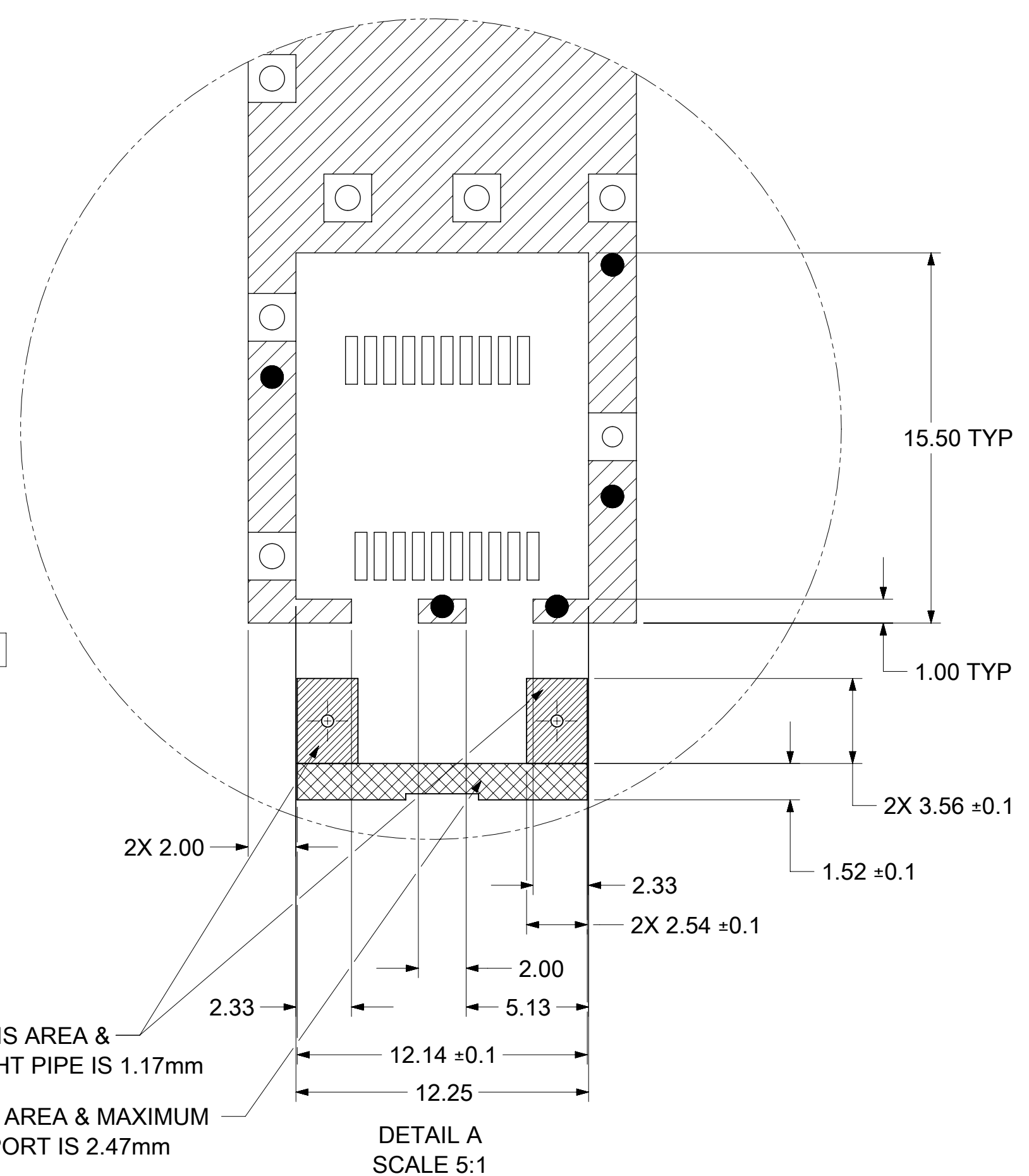
THIS DRAWING CONTAINS INFORMATION THAT IS PROPRIETARY TO MOLEX ELECTRONIC TECHNOLOGIES, LLC AND SHOULD NOT BE USED WITHOUT WRITTEN PERMISSION

DIMENSION UNITS	SCALE	CURRENT REV DESC: SEE REV TABLE	
mm	5:1		
GENERAL TOLERANCES (UNLESS SPECIFIED)		<p><b>molex</b></p> <p>SFP+ 1X1 CAGE ASSY PRESS FIT TYPE, W/ SUS EMI SPRING FINGER &amp; CUSTOM LIGHT PIPE</p> <p>PRODUCT CUSTOMER DRAWING</p>	
ANGULAR TOL	± 1.0°		
4 PLACES	±		
3 PLACES	±		
2 PLACES	± 0.15		
1 PLACE	± 0.25	EC NO: 743532	2022/09/13
0 PLACES	±	DRWN: PKH	2023/03/23
		CHK'D: AMRUTH	2023/03/24
		APPR: TKUMARKC	
		INITIAL REVISION:	
		DRWN: PKH	2022/04/06
		APPR: SCHIEN	2022/05/26
DRAFT WHERE APPLICABLE MUST REMAIN WITHIN DIMENSIONS		THIRD ANGLE PROJECTION	DRAWING SERIES
			C-SIZE 74754
DOCUMENT STATUS		DOCUMENT NUMBER	DOC TYPE   DOC PART   REVISION
P1	RELEASE DATE 2023/03/24 02:49:02	747548725	PSD ASY A1
		MATERIAL NUMBER	CUSTOMER SHEET NUMBER
		SEE SHEET 2	2 OF 7

# PCB LAYOUT FOR SINGLE SIDE MOUNT



## HOST CONNECTOR DETAIL



- NOTES:**
1. PADS AND VIAS CONNECT TO CHASSIS GROUND (RECOMMEND PADS TO BE 2.00mm SQUARE)
  2. RECOMMEND THRU HOLE PLATING INCLUDES HASL, OSP, OR IMMERSION (GOLD, SILVER, OR TIN)
  3. CONNECTOR PAD LAYOUT PER SFP+ MSA WILL ACCOMMODATE MOLEX CONNECTOR SERIES 74441 OR EQUIVALENT

THIS DRAWING CONTAINS INFORMATION THAT IS PROPRIETARY TO MOLEX ELECTRONIC TECHNOLOGIES, LLC AND SHOULD NOT BE USED WITHOUT WRITTEN PERMISSION											
DIMENSION UNITS		SCALE		CURRENT REV DESC: SEE REV TABLE							
mm		4:1									
GENERAL TOLERANCES (UNLESS SPECIFIED)											
ANGULAR TOL ± 1.0°											
4 PLACES		±		EC NO: 743532							
3 PLACES		±		DRWN: PKH				2022/09/13			
2 PLACES		± 0.15		CHK'D: AMRUTH				2023/03/23			
1 PLACE		± 0.25		APPR: TKUMARKC				2023/03/24			
0 PLACES		±		INITIAL REVISION:							
DRAFT WHERE APPLICABLE MUST REMAIN WITHIN DIMENSIONS		THIRD ANGLE PROJECTION		DRAWING		SERIES		MATERIAL NUMBER		CUSTOMER	
		C-SIZE		74754		74754		SEE SHEET 2		3 OF 7	

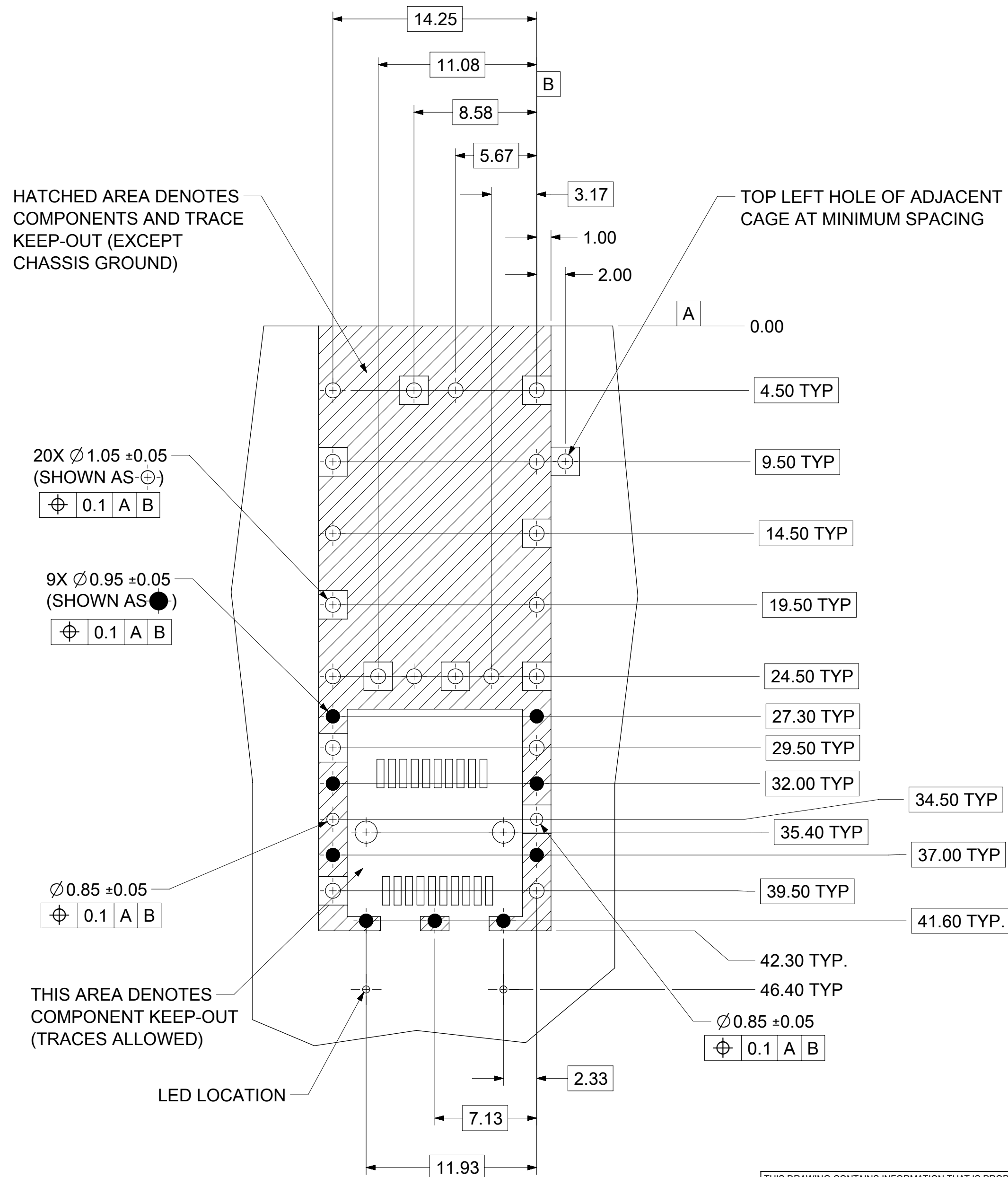
**molex**

SFP+ 1X1 CAGE ASSY PRESS FIT TYPE,  
W/ SUS EMI SPRING FINGER & CUSTOM LIGHT PIPE

PRODUCT CUSTOMER DRAWING

DOCUMENT NUMBER	DOC TYPE	DOC PART	REVISION
747548725	PSD	ASY	A1

# PCB LAYOUT FOR BELLY TO BELLY MOUNTING



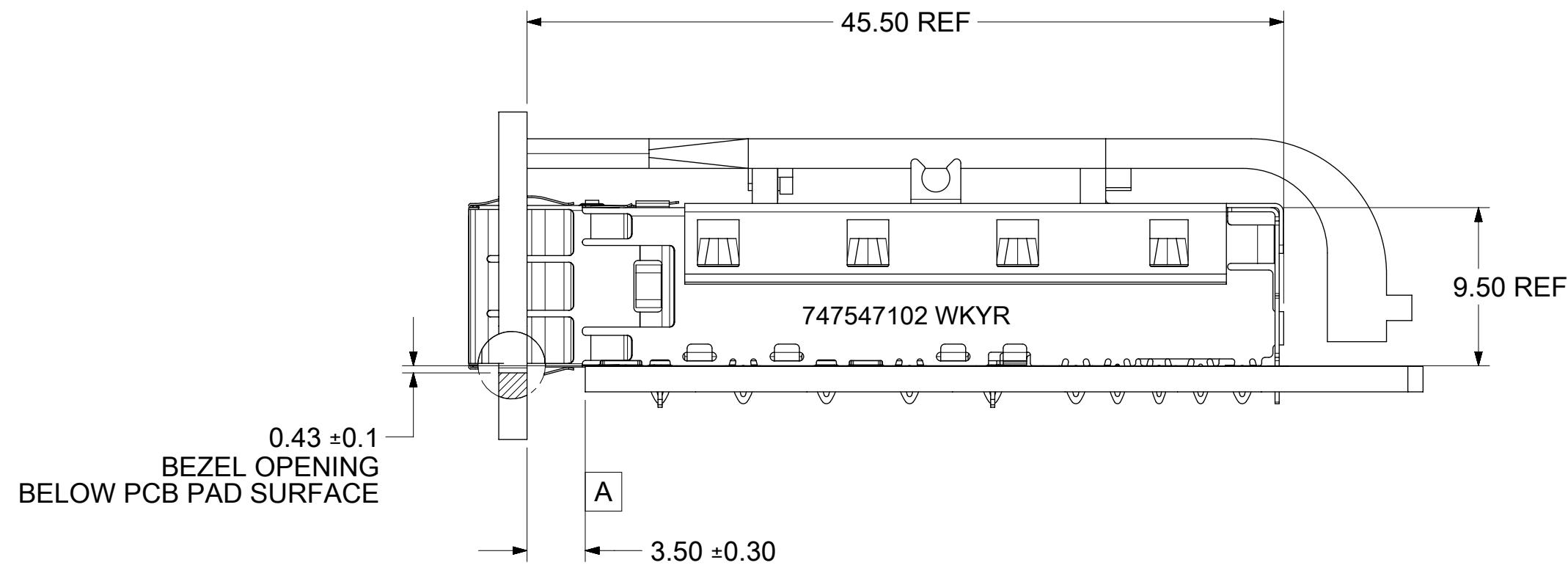
**NOTE:**  
SEE SHEET 3 FOR  
HOST CONNECTOR DETAIL

**NOTES:**

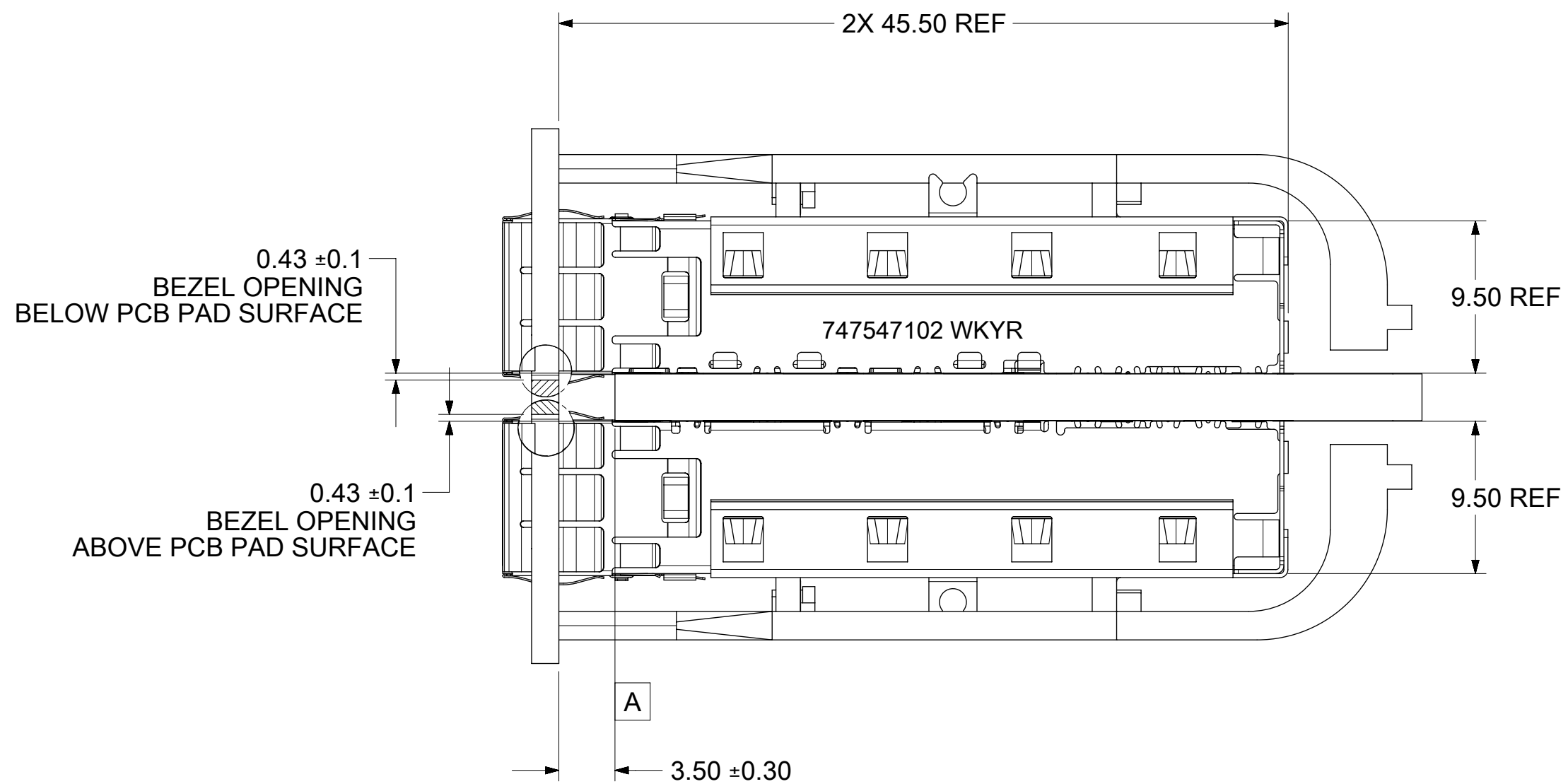
1. PADS AND VIAS CONNECT TO CHASSIS GROUND (RECOMMEND PADS TO BE 2.00mm SQUARE)
2. RECOMMENDED THRU HOLE PLATING INCLUDES HASL, OSP, OR IMMERSION (GOLD, SILVER, OR TIN).
3. CONNECTOR PAD LAYOUT PER SFP+ MSA WILL ACCOMMODATE MOLEX CONNECTOR SERIES 74441 OR EQUIVALENT.

THIS DRAWING CONTAINS INFORMATION THAT IS PROPRIETARY TO MOLEX ELECTRONIC TECHNOLOGIES, LLC AND SHOULD NOT BE USED WITHOUT WRITTEN PERMISSION									
DIMENSION UNITS		SCALE		CURRENT REV DESC: SEE REV TABLE				<b>molex</b>	
mm		4:1							
GENERAL TOLERANCES (UNLESS SPECIFIED)				EC NO: 743532				SFP+ 1X1 CAGE ASSY PRESS FIT TYPE, W/ SUS EMI SPRING FINGER & CUSTOM LIGHT PIPE	
ANGULAR TOL ± 1.0°				DRWN: PKH 2022/09/13				PRODUCT CUSTOMER DRAWING	
4 PLACES ±				CHK'D: AMRUTH 2023/03/23				DOCUMENT NUMBER	
3 PLACES ±				APPR: TKUMARKC 2023/03/24				747548725	
2 PLACES ± 0.15				INITIAL REVISION:				DOC TYPE   DOC PART   REVISION	
1 PLACE ± 0.25				DRWN: PKH 2022/04/06				PSD   ASY   A1	
0 PLACES ±				APPR: SCHIEN 2022/05/26				SHEET NUMBER	
DRAFT WHERE APPLICABLE MUST REMAIN WITHIN DIMENSIONS		THIRD ANGLE PROJECTION		DRAWING		SERIES		MATERIAL NUMBER   CUSTOMER	
		C-SIZE		74754		SEE SHEET 2		4 OF 7	

# BEZEL AND BOARD POSITION DIMENSIONS FOR SINGLE SIDE MOUNTING (CAGE WITH SPRING FINGER)



# BEZEL AND BOARD POSITION DIMENSIONS FOR BELLY TO BELLY MOUNTING (CAGE WITH SPRING FINGER)



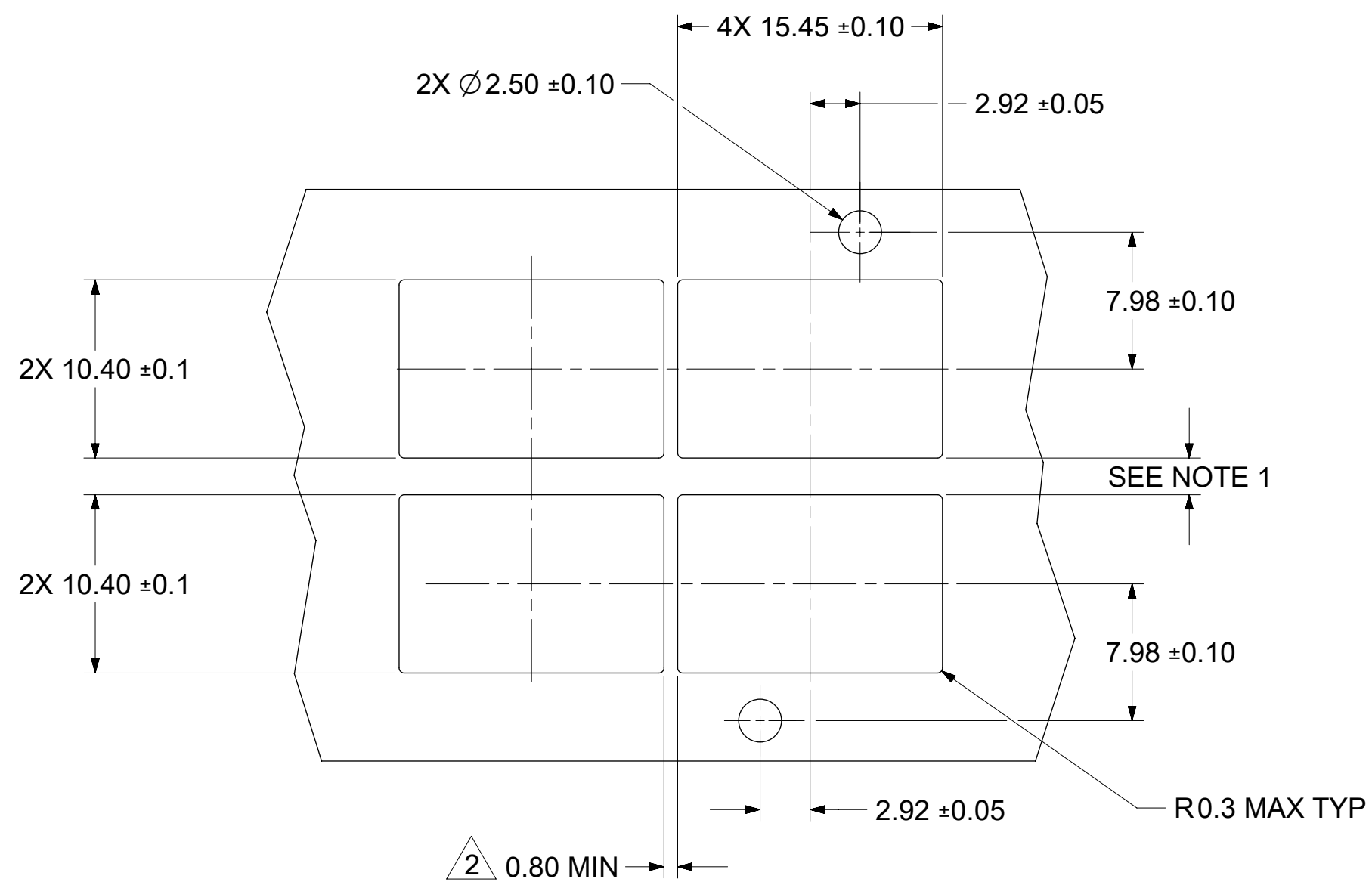
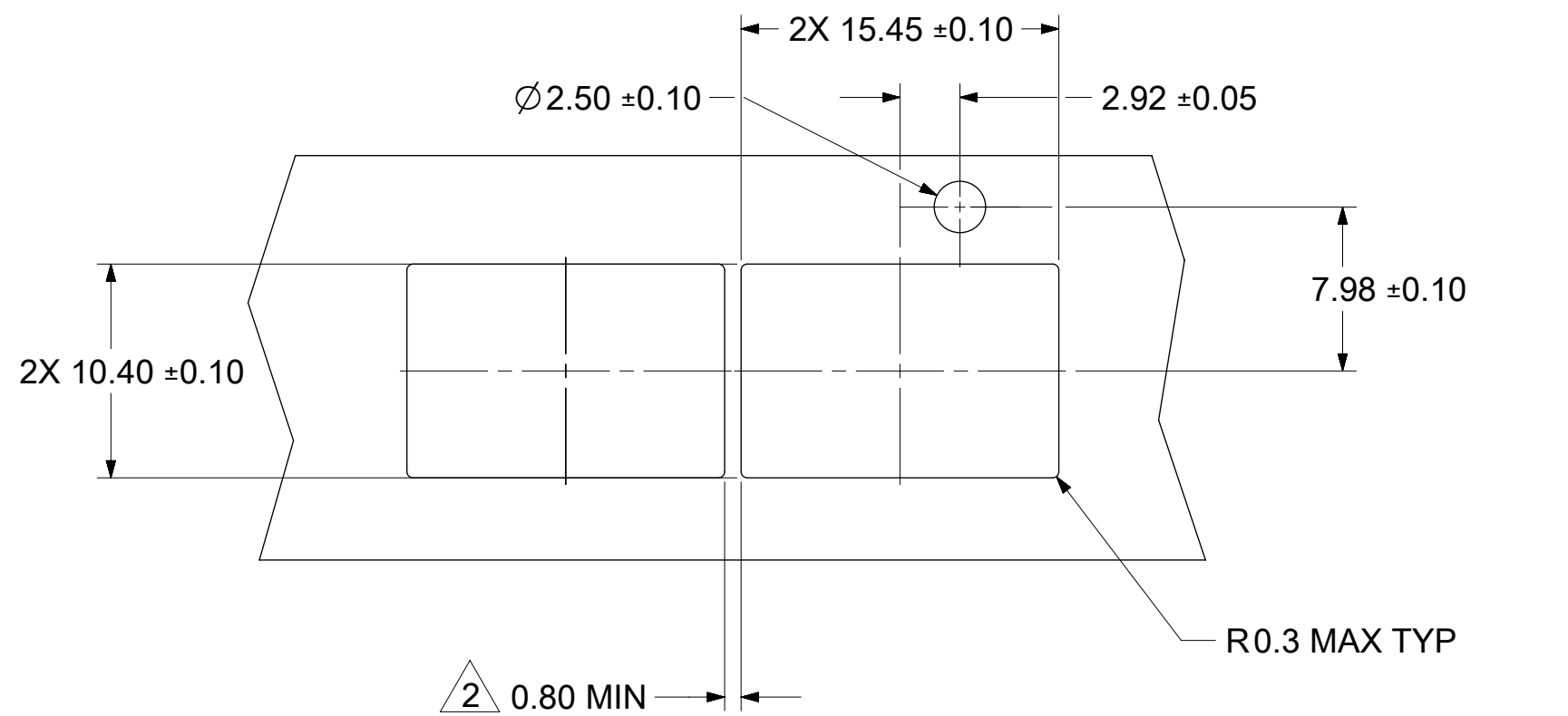
THIS DRAWING CONTAINS INFORMATION THAT IS PROPRIETARY TO MOLEX ELECTRONIC TECHNOLOGIES, LLC AND SHOULD NOT BE USED WITHOUT WRITTEN PERMISSION

DIMENSION UNITS	SCALE	CURRENT REV DESC: SEE REV TABLE		<b>molex</b>		
mm	3:1					
GENERAL TOLERANCES (UNLESS SPECIFIED)		EC NO: 743532		SFP+ 1X1 CAGE ASSY PRESS FIT TYPE, W/ SUS EMI SPRING FINGER & CUSTOM LIGHT PIPE		
ANGULAR TOL	± 1.0°	DRWN: PKH	2022/09/13	PRODUCT CUSTOMER DRAWING		
4 PLACES	±	CHK'D: AMRUTH	2023/03/23	DOCUMENT NUMBER		
3 PLACES	±	APPR: TKUMARKC	2023/03/24	747548725		DOC TYPE
2 PLACES	± 0.15	INITIAL REVISION:		PSD	DOC PART	REVISION
1 PLACE	± 0.25	DRWN: PKH	2022/04/06	ASY	A1	
0 PLACES	±	APPR: SCHIEN	2022/05/26	MATERIAL NUMBER		SHEET NUMBER
DRAFT WHERE APPLICABLE MUST REMAIN WITHIN DIMENSIONS		THIRD ANGLE PROJECTION	DRAWING	C-SIZE	SERIES	CUSTOMER
					74754	SEE SHEET 2
						5 OF 7

DOCUMENT STATUS	P1	RELEASE DATE	2023/03/24 02:49:02
-----------------	----	--------------	---------------------

747548725 SHOWN

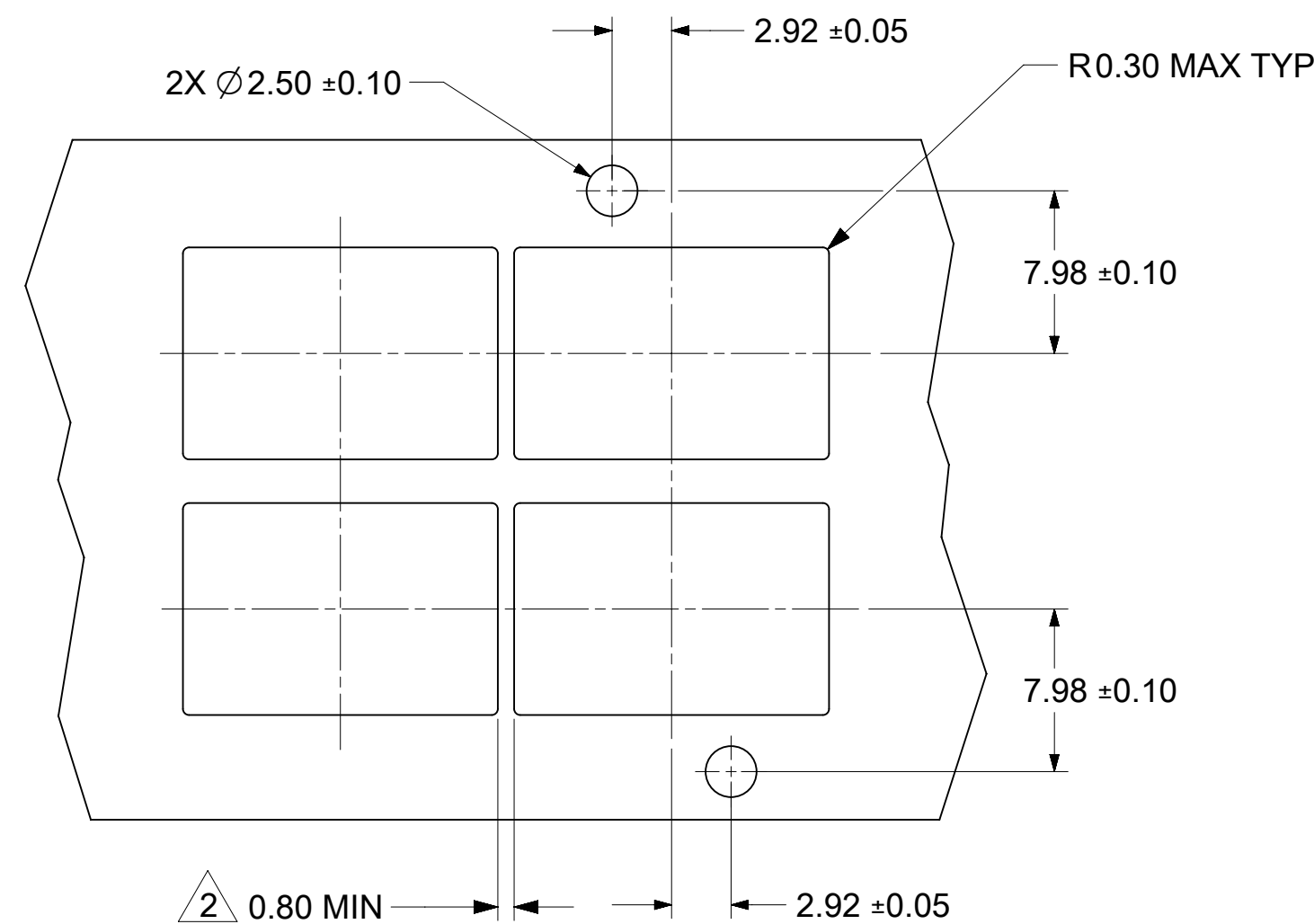
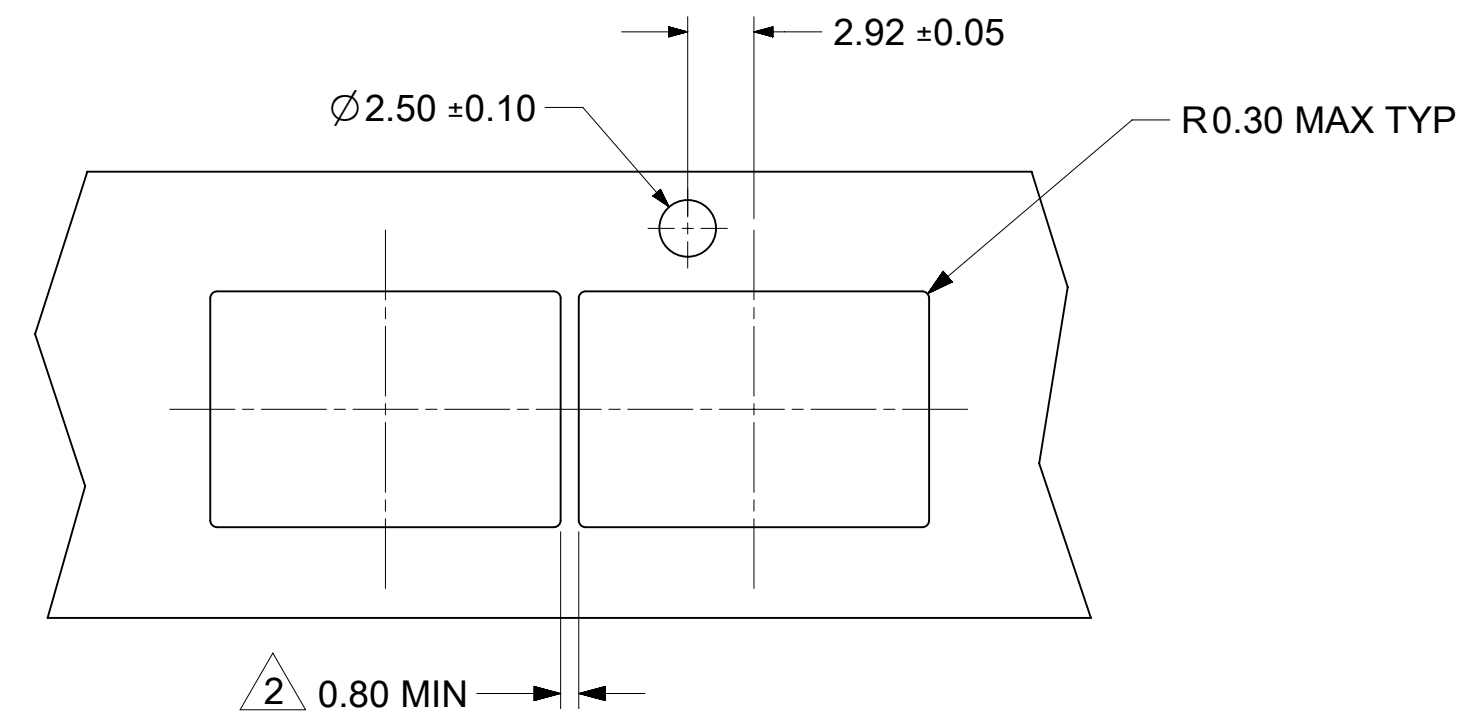
BEZEL DETAILS



NOTE:  
 1. PCB THICKNESS VARIATION MUST BE CONSIDERED WHEN DETERMINING BEZEL OPENING AND LOCATION  
 2. THIS DIMENSION IS FOR REFERENCE ONLY. USER CAN MODIFY IT DEPENDS ON APPLICATION.  
 (THIS DIMENSION VARIES BASED ON DISTANCE OF "HOLE OF ADJACENT CAGE" ON PCB LAYOUT)


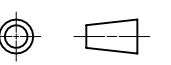
747548726 SHOWN

BEZEL DETAILS



THIS DRAWING CONTAINS INFORMATION THAT IS PROPRIETARY TO MOLEX ELECTRONIC TECHNOLOGIES, LLC AND SHOULD NOT BE USED WITHOUT WRITTEN PERMISSION									
DIMENSION UNITS		SCALE		CURRENT REV DESC: SEE REV TABLE				<b>molex</b>	
mm		1:1							
GENERAL TOLERANCES (UNLESS SPECIFIED)				EC NO: 743532				SFP+ 1X1 CAGE ASSY PRESS FIT TYPE, W/ SUS EMI SPRING FINGER & CUSTOM LIGHT PIPE	
ANGULAR TOL		± 1.0°		DRWN: PKH		2022/09/13		PRODUCT CUSTOMER DRAWING	
4 PLACES		±		CHK'D: AMRUTH		2023/03/23		DOCUMENT NUMBER	
3 PLACES		±		APPR: TKUMARKC		2023/03/24		747548725	
2 PLACES		± 0.15		INITIAL REVISION:				DOC TYPE   DOC PART   REVISION	
1 PLACE		± 0.25		DRWN: PKH		2022/04/06		PSD   ASY   A1	
0 PLACES		±		APPR: SCHIEN		2022/05/26		SHEET NUMBER	
DRAFT WHERE APPLICABLE MUST REMAIN WITHIN DIMENSIONS				THIRD ANGLE PROJECTION		DRAWING SERIES		MATERIAL NUMBER CUSTOMER	
						C-SIZE 74754		SEE SHEET 2	
								6 OF 7	

REV	DATE	DESCRIPTION
A	2022/05/19	INITIAL RELEASE
A1	2023/03/23	SHEET 01: G12 : NEW VIEW ADDED AND SHOWED THE UPDATED DATE CODE DETAILS. SHEET 02: B02 : DESCRIPTION UPDATED.

THIS DRAWING CONTAINS INFORMATION THAT IS PROPRIETARY TO MOLEX ELECTRONIC TECHNOLOGIES, LLC AND SHOULD NOT BE USED WITHOUT WRITTEN PERMISSION												
DIMENSION UNITS		SCALE		CURRENT REV DESC: SEE REV TABLE								
mm		1:1		EC NO: 743532 DRWN: PKH 2022/09/13 CHK'D: AMRUTH 2023/03/23 APPR: TKUMARKC 2023/03/24 INITIAL REVISION: DRWN: PKH 2022/04/06 APPR: SCHIEN 2022/05/26				SFP+ 1X1 CAGE ASSY PRESS FIT TYPE, W/ SUS EMI SPRING FINGER & CUSTOM LIGHT PIPE				
GENERAL TOLERANCES (UNLESS SPECIFIED)								PRODUCT CUSTOMER DRAWING				
ANGULAR TOL		± 1.0°						DOCUMENT NUMBER		DOC TYPE	DOC PART	REVISION
4 PLACES		±						747548725		PSD	ASY	A1
3 PLACES		±						SEE SHEET 2				7 OF 7
2 PLACES		± 0.15		MATERIAL NUMBER		CUSTOMER		SHEET NUMBER				
1 PLACE		± 0.25										
0 PLACES		±										
DRAFT WHERE APPLICABLE MUST REMAIN WITHIN DIMENSIONS				THIRD ANGLE PROJECTION		DRAWING	SERIES	MATERIAL NUMBER				
						C-SIZE	74754					