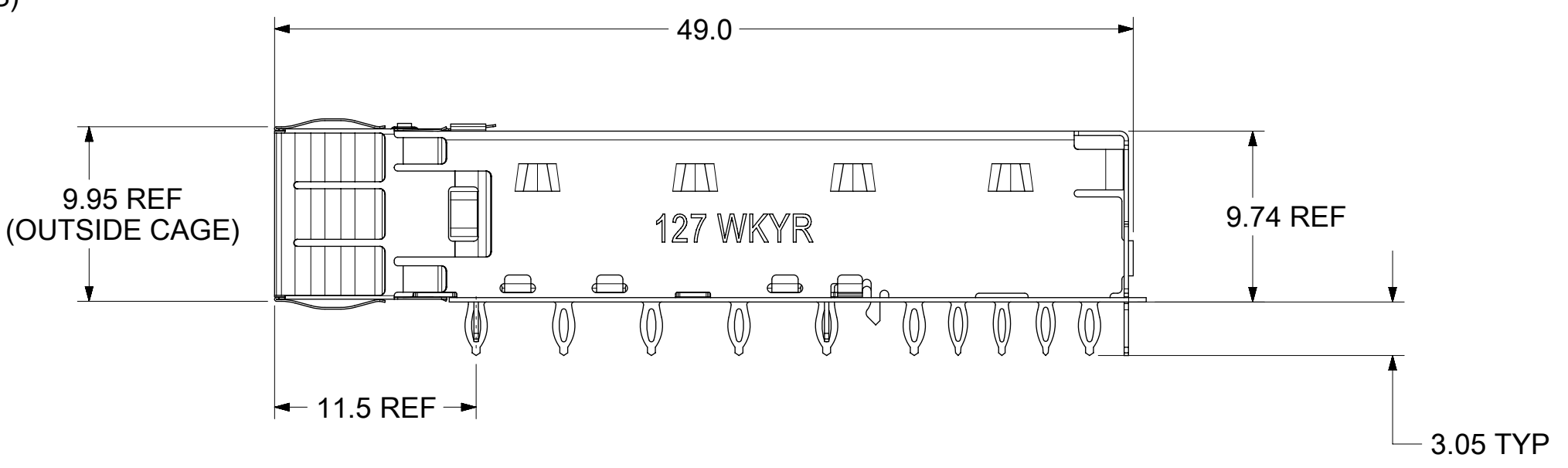
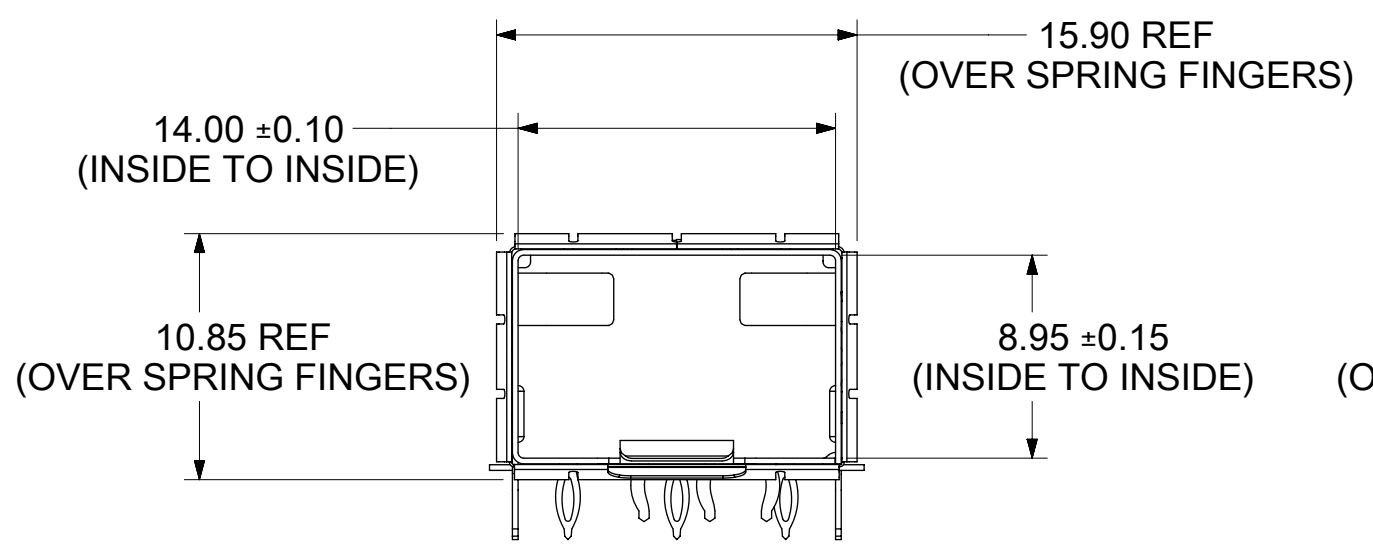


PART NUMBER	FEATURE
100112-3117	WITH HOLE ON TO SURFACE
100112-8121	WITHOUT HOLE ON TOP SURFACE



PART NO. AND WEEK/YEAR DATE CODE TO BE PRINTED ON THE SIDE OF COMPLETED CAGE ASSEMBLY APPROXIMATELY AS SHOWN

WEEK/YEAR DATE CODE TABLE	
WK	01 THRU 52 OR 53 EXAMPLE: 01 = FIRST WEEK OF YEAR 52 = LAST WEEK OF YEAR
YR	22, 23, 24 ETC. EXAMPLE: YEAR 2022 = 22

NOTES:

- MATERIAL:
CAGE: 0.25mm THICK COPPER ALLOY, NICKEL PLATED
SPRING FINGER: STAINLESS STEEL.
UNDER BELLY GASKET: EMI GASKET
- PRESS FIT LEGS 3.05mm LONG
- OPTIONAL LIGHT PIPE ASSEMBLY AVAILABLE
- PORTS ARE DESIGNED FOR SFP+ TRANSCEIVERS AND ARE COMPATIBLE WITH SFP TRANSCEIVERS
- NO RoHS EXEMPTIONS.

FUNCTIONAL SYMBOLS $\nabla = 0$ $\nabla = 0$ $\nabla = 0$	THIS DRAWING CONTAINS INFORMATION THAT IS PROPRIETARY TO MOLEX ELECTRONIC TECHNOLOGIES, LLC AND SHOULD NOT BE USED WITHOUT WRITTEN PERMISSION		CURRENT REV DESC: SEE REVISION TABLE	
	DIMENSION UNITS	SCALE	EC NO: 706896	
	mm	3:1	DRWN: PKH	2022/04/07
	GENERAL TOLERANCES (UNLESS SPECIFIED)		CHK'D: TKUMARKC	2022/05/19
DIVISIONAL SYMBOLS $\nabla = 0$ $\nabla = 0$ $\nabla = 0$	ANGULAR TOL $\pm 1.0^\circ$		APPR: SCHIEN	2022/05/26
	4 PLACES \pm	INITIAL REVISION:		
	3 PLACES \pm	DRWN: PKH	2022/04/07	
	2 PLACES ± 0.13	APPR: SCHIEN	2022/05/26	
1 PLACE ± 0.25	DRAFT WHERE APPLICABLE MUST REMAIN WITHIN DIMENSIONS		THIRD ANGLE PROJECTION	DRAWING SERIES
0 PLACES \pm	C-SIZE		100112	MATERIAL NUMBER CUSTOMER SHEET NUMBER
SEE P/N TABLE		SEE P/N TABLE		1 OF 4

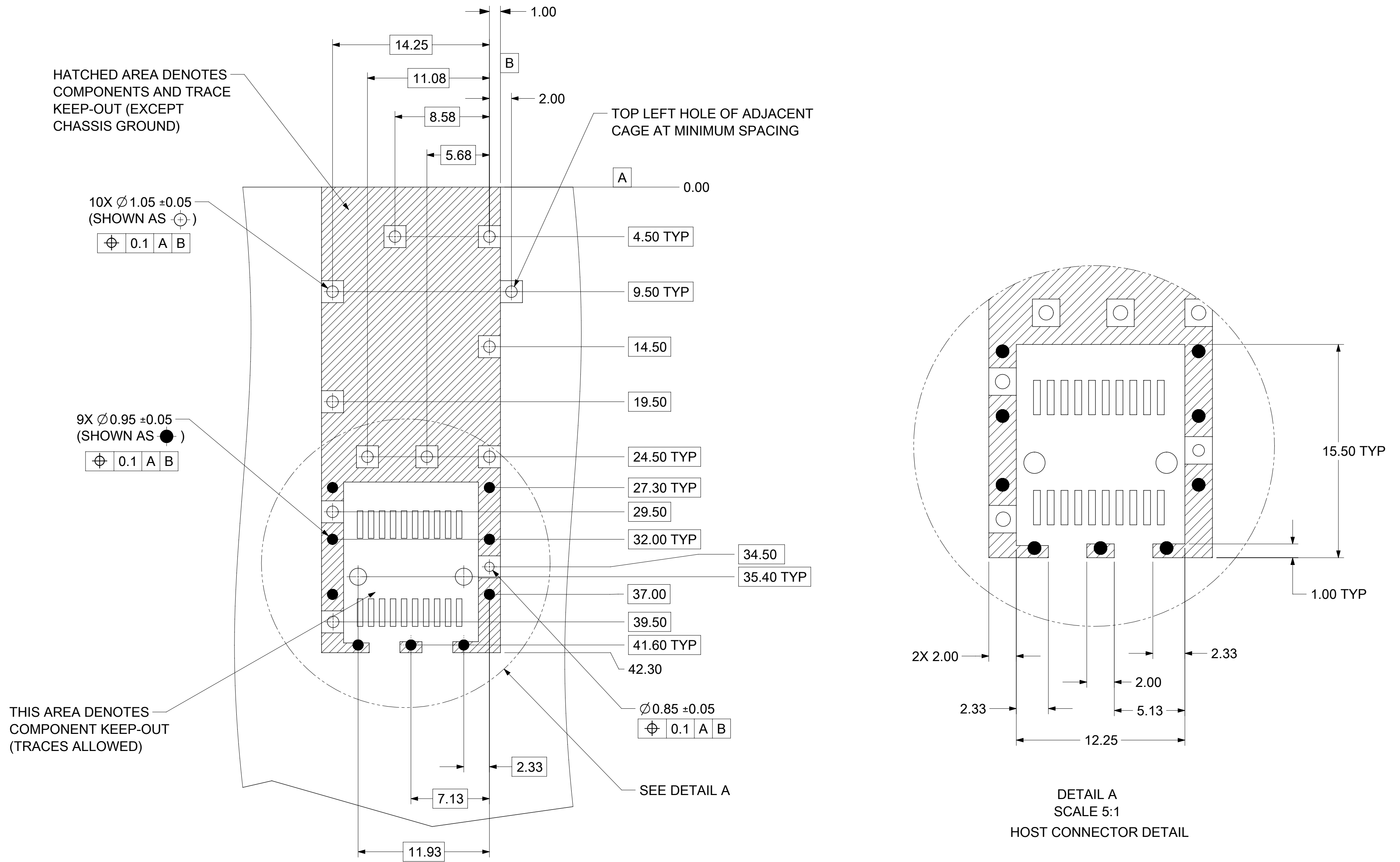


ZSFP+ 1X1 CAGE ASSY, CLOSE TOP, PRESS FIT WITH SUS EMI SPRING FINGERS

PRODUCT CUSTOMER DRAWING

DOCUMENT NUMBER: 1001123117, DOC TYPE: PSD, DOC PART: ASY, REVISION: A

PCB LAYOUT FOR SINGLE SIDE MOUNT



- NOTES:
- PADS AND VIAS CONNECT TO CHASSIS GROUND (RECOMMEND PADS TO BE 2.00mm SQUARE)
 - RECOMMEND THRU HOLE PLATING INCLUDES HASL, OSP, OR IMMERSION (GOLD, SILVER, OR TIN)
 - CONNECTOR PAD LAYOUT PER SFP+ MSA WILL ACCOMMODATE MOLEX CONNECTOR SERIES 170382 OR EQUIVALENT
 - MIN PCB THICKNESS FOR SINGLE SIDED USE: 1.57 MM.

FUNCTIONAL SYMBOLS	THIS DRAWING CONTAINS INFORMATION THAT IS PROPRIETARY TO MOLEX ELECTRONIC TECHNOLOGIES, LLC AND SHOULD NOT BE USED WITHOUT WRITTEN PERMISSION		CURRENT REV DESC: SEE REVISION TABLE	
	DIMENSION UNITS	SCALE		
$\nabla_A = 0$	mm	4:1		
$\nabla_C = 0$	GENERAL TOLERANCES (UNLESS SPECIFIED)			
	ANGULAR TOL $\pm 1.0^\circ$			
DIVISIONAL SYMBOLS	4 PLACES	\pm	EC NO: 706896	2022/04/07
	3 PLACES	\pm	DRWN: PKH	2022/05/19
	2 PLACES	± 0.13	CHK'D: TKUMARKC	2022/05/26
	1 PLACE	± 0.25	APPR: SCHIEN	
0 PLACES	\pm	INITIAL REVISION:		
DRAFT WHERE APPLICABLE MUST REMAIN WITHIN DIMENSIONS		THIRD ANGLE PROJECTION	DRAWING	SERIES
			C-SIZE	100112
DOCUMENT STATUS		P1	RELEASE DATE	2022/05/26 08:01:48
12		11	10	9
1		2	3	4
2 OF 4		SEE P/N TABLE	MATERIAL NUMBER	CUSTOMER
1		1001123117		
A		PSD	ASY	A

molex

ZSFP+ 1X1 CAGE ASSY, CLOSE TOP, PRESS FIT WITH SUS EMI SPRING FINGERS

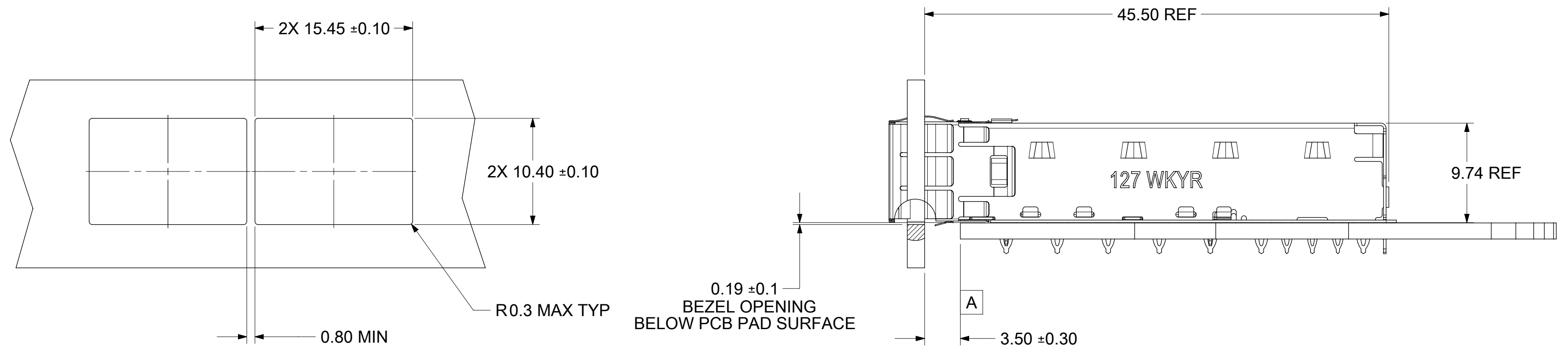
PRODUCT CUSTOMER DRAWING

DOCUMENT NUMBER: 1001123117

DOC TYPE: PSD, DOC PART: ASY, REVISION: A

SHEET NUMBER: 2 OF 4


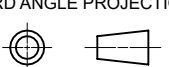
BEZEL AND BOARD POSITION DIMENSIONS FOR SINGLE SIDE MOUNTING (CAGE WITH SPRING FINGER)



NOTES:
1. PCB THICKNESS VARIATION MUST BE CONSIDERED WHEN DETERMINING BEZEL OPENING SIZE AND LOCATION

FUNCTIONAL SYMBOLS	THIS DRAWING CONTAINS INFORMATION THAT IS PROPRIETARY TO MOLEX ELECTRONIC TECHNOLOGIES, LLC AND SHOULD NOT BE USED WITHOUT WRITTEN PERMISSION												
$\frac{F}{A} = 0$	DIMENSION UNITS	SCALE	CURRENT REV DESC: SEE REVISION TABLE							molex			
$\frac{F}{C} = 0$	mm	3:1											
$\frac{F}{P} = 0$	GENERAL TOLERANCES (UNLESS SPECIFIED)		EC NO: 706896							ZSFP+ 1X1 CAGE ASSY, CLOSE TOP, PRESS FIT WITH SUS EMI SPRING FINGERS			
	ANGULAR TOL ± 1.0°		DRWN: PKH 2022/04/07										
DIVISIONAL SYMBOLS	4 PLACES ±		CHK'D: TKUMARKC 2022/05/19							PRODUCT CUSTOMER DRAWING			
	3 PLACES ±		APPR: SCHIEN 2022/05/26										
	2 PLACES ± 0.13		INITIAL REVISION:							DOCUMENT NUMBER 1001123117			
	1 PLACE ± 0.25		DRWN: PKH 2022/04/07										
	0 PLACES ±		APPR: SCHIEN 2022/05/26							DOC TYPE DOC PART REVISION PSD ASY A			
DRAFT WHERE APPLICABLE MUST REMAIN WITHIN DIMENSIONS		THIRD ANGLE PROJECTION		DRAWING		SERIES		MATERIAL NUMBER				CUSTOMER	
				C-SIZE		100112		SEE P/N TABLE				3 OF 4	

REV	DATE	DESCRIPTION
A	2022/05/19	INITIAL RELEASE

FUNCTIONAL SYMBOLS	THIS DRAWING CONTAINS INFORMATION THAT IS PROPRIETARY TO MOLEX ELECTRONIC TECHNOLOGIES, LLC AND SHOULD NOT BE USED WITHOUT WRITTEN PERMISSION													
	DIMENSION UNITS	SCALE	CURRENT REV DESC: SEE REVISION TABLE											
$\frac{F}{A} = 0$	mm	1:1	EC NO: 706896 DRWN: PKH 2022/04/07 CHK'D: TKUMARKC 2022/05/19 APPR: SCHIEN 2022/05/26 INITIAL REVISION: DRWN: PKH 2022/04/07 APPR: SCHIEN 2022/05/26									DOCUMENT NUMBER		DOC TYPE
$\frac{F}{C} = 0$	GENERAL TOLERANCES (UNLESS SPECIFIED)									1001123117		PSD	ASY	A
$\frac{F}{P} = 0$	ANGULAR TOL ± 1.0°									SEE P/N TABLE		SHEET NUMBER		
DIVISIONAL SYMBOLS	DRAFT WHERE APPLICABLE MUST REMAIN WITHIN DIMENSIONS		THIRD ANGLE PROJECTION		DRAWING	SERIES	MATERIAL NUMBER	CUSTOMER	SHEET NUMBER					
4 PLACES ±	DRAFT WHERE APPLICABLE MUST REMAIN WITHIN DIMENSIONS				C-SIZE	100112	SEE P/N TABLE		4 OF 4					
3 PLACES ±														
2 PLACES ± 0.13														
1 PLACE ± 0.25														
0 PLACES ±														