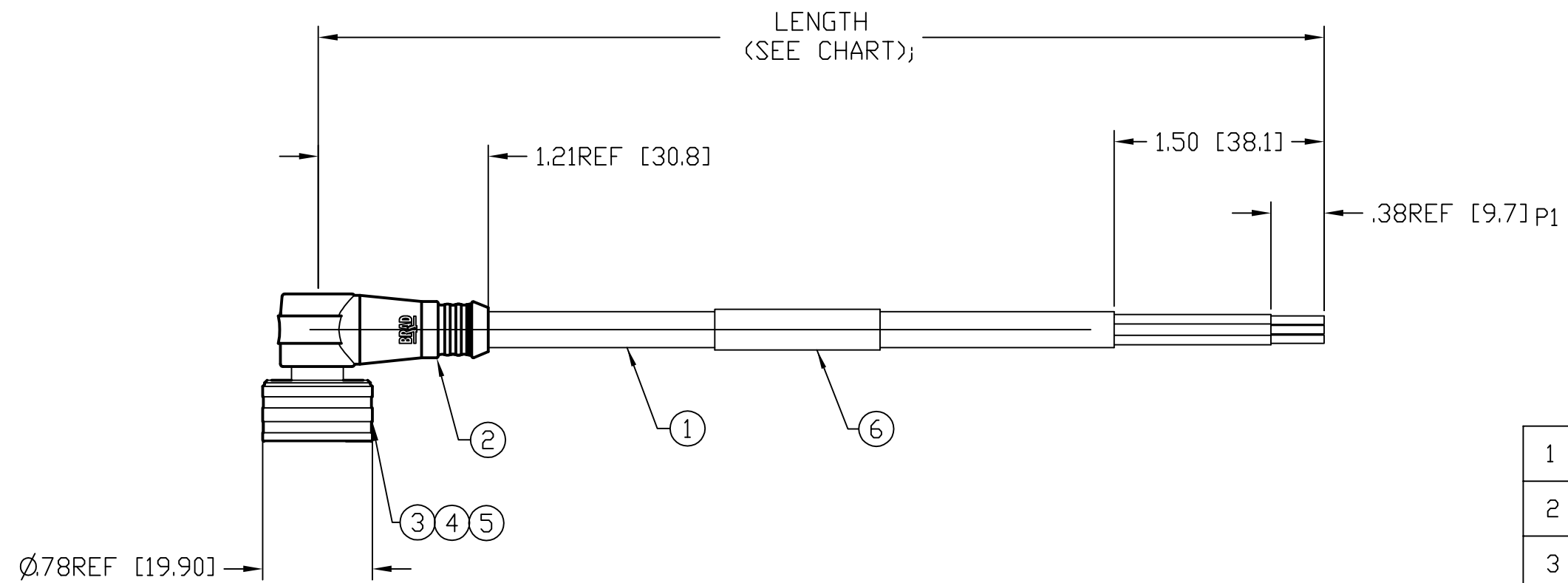
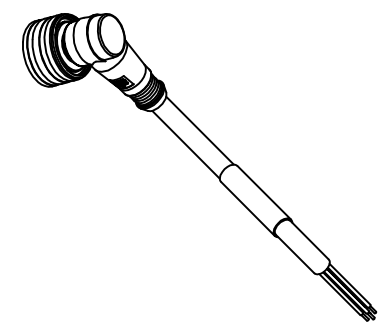


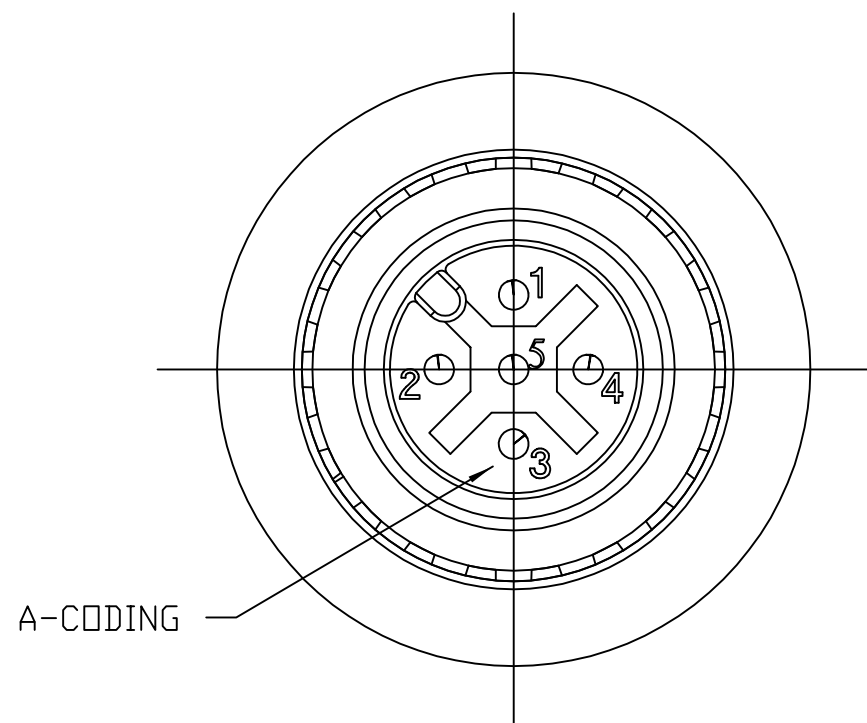
PART NUMBER	ENGINEERING NO.	LENGTH
1200790239	W05007A09M020	6' 6" +3.5" - 0 [2M +90MM - 0]
1200790238	W05007A09M040	13' 1" +6" - 0 [4M +150MM - 0]
1200790246	W05007A09M050	16' 4" +6" - 0 [5M +150MM - 0]
1200790247	W05007A09M060	19' 7" +6" - 0 [6M +150MM - 0]
1200790248	W05007A09M100	32' 4" +12" - 0 [10M +300MM - 0]



1	BROWN
2	WHITE
3	BLUE
4	BLACK
5	GRAY

NOTES:

- 1) MATERIAL: SEE TABLE
- 2) FINISHES: SEE TABLE
- 3) WRAP LABEL IS MARKED WITH P/N, DATE CODE, VOLTAGE & AMPERAGE.
- 4) MATES WITH: MICRO CHANGE, 5 POLE RECEPTACLE
- 5) ELECTRICAL DATA:
 INLINE CORDSET
 MALE A-CODING WITH FLYING LEADS
 22AWG UNSHIELDED
 POLES: 5
 MAX. VOLTAGE: 250V
 MAX. CURRENT 4A
 CONTACT RESISTANCE: <5M Ωhm
 PROTECTION IP67/68/69K
 TEMPERATURE RANGE:-25°C TO 90°C
- 6) PACKAGING:
 CABLE ASSEMBLIES ARE BAGGED SEPERATELY
 IN POLY BAGS WITH BAR CODE LABEL ATTACHED
 TO OUTSIDE OF BAG.
- 7) ASSEMBLY IS RoHS COMPLIANT.
- 8) CERTIFICATION
 cCSAus



ITEM	QTY.	DESCRIPTION	MATERIAL	FINISH
6	1	LABEL	PLASTIC FILM	BLACK/YELLOW
5	5	PIN CONTACT	COPPER ALLOY	GOLD PLATED
4	1	INSERT	PUR	BLACK
3	1	COUPLING NUT	BRASS	NICKEL PLATED
2	1	OVERMOLD	PUR	YELLOW
1	1	CABLE, 22AWG-5	PVC JACKET	YELLOW

RELEASE EC NO: WEU2010-0003 DRWN: TWOLDEGE 7/2/09 CH'KD: BWOODMAN APPR: JFMURPHY 2009/07/20	DESCRIPTION A	QUALITY SYMBOL ▽=0 ▽=0	GENERAL TOLERANCES (UNLESS SPECIFIED)		DIMENSION STYLE ----		SCALE ----	DESIGN UNITS INCH	THIRD ANGLE PROJECTION			
				4 PLACES mm INCH ±---- ±----	DRAWN BY DATE TWOLDEGE 2009/07/02		TITLE MICRO CHANGE ULTRA LOCK 5-POLE MALE 90DEGREE 22/5 AWG PVC					
				3 PLACES ±---- ±----	CHECKED BY DATE BWOODMAN 2009/07/02		MOLEX INCORPORATED					
				2 PLACES ±---- ±----	APPROVED BY DATE ----		MATERIAL NO. SEE CHART		DOCUMENT NO. SD-120079-008		SHEET NO. 1 OF 1	
		1 PLACE ±---- ±----	ANGULAR ±----°		THIS DRAWING CONTAINS INFORMATION THAT IS PROPRIETARY TO MOLEX INCORPORATED AND SHOULD NOT BE USED WITHOUT WRITTEN PERMISSION							
		DRAFT WHERE APPLICABLE MUST REMAIN WITHIN DIMENSIONS										