

MATERIAL NO.	ENGINEERING NO.	FINISHED LENGTH
1300640453	CC4030K17M010G	1M (3 FT 3.37 IN)
1300640515	CC4030K17M650G	65M (213 FT 3.06 IN)
1300642118	CC4030K17T130G	130M (426 FT 6.11 IN)

**CABLE LENGTH TOLERANCES**

<.3M [1FT]: +19mm-0 [ +.75in-0]

.3 - .9M [1 - 3FT]: +44.5mm-0 [+1.75in-0]

.9 - 1.8M [3 - 6FT]: +55.6mm-0 [+2.19in-0]

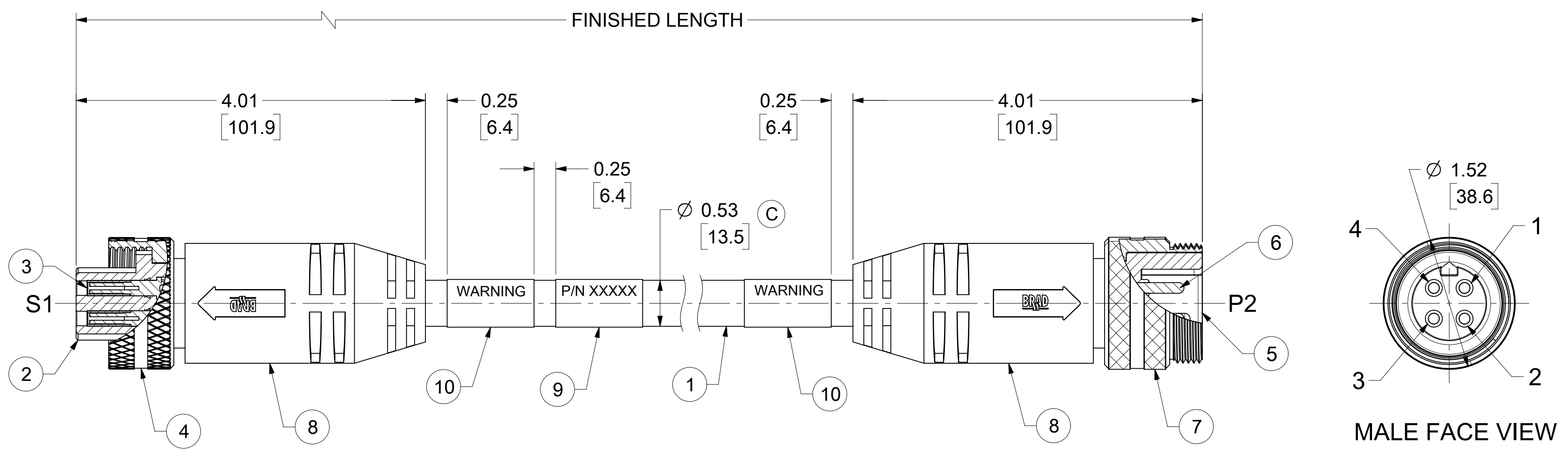
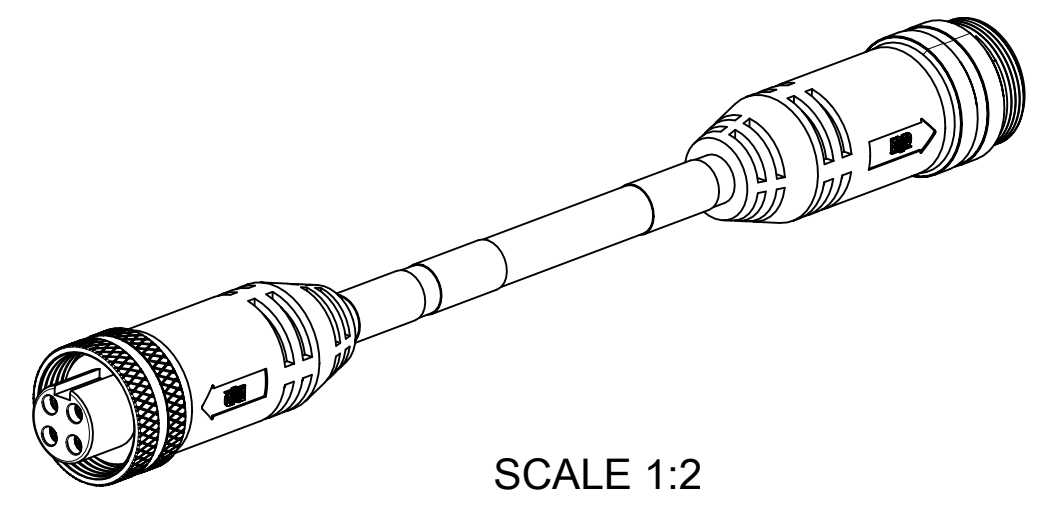
1.8 - 3.7M [6 - 12FT]: +88.9mm-0 [+3.50in-0]

3.7 - 7.3M [12 - 24FT]: +165.1mm-0 [+6.50in-0]

7.3-14.6M [24 - 48FT]: +317.5mm-0 [+12.50in-0]

14.6 - 30.5M [48-100FT]: +622.3mm-0 [+24.50in-0]

OVER 30M [100FT] +2% OF FINISHED LENGTH



- NOTES:**
1. MATERIAL: AS NOTED
  2. FINISH: AS NOTED
  3. ELECTRICAL:  
VOLTAGE: 500V PER IEC60664 (C)  
600V PER UL2237  
CURRENT: 32A
  4. TEMP RATING: -20°C TO +90°C
  5. PROTECTION: IP67 (WHEN MATED)
  6. UL LISTED FILE: 258922
  7. COUPLING THREAD: 1 3/8"-16 UN
  8. ALL DIMS ARE FOR REFERENCE UNLESS TOLERANCED OR NOTED OTHERWISE

**WIRING DIAGRAM**

S1		P2	
1	BLACK #1	1	
2	GREEN/YELLOW	2	
3	BLACK #3	3	
4	BLACK #2	4	

**PART NUMBER LEGEND (C)**

**CC4030K17M010G**

FINISHED LENGTH  
M001 = 0.1 METER  
M010 = 1.0 METER  
M100 = 10.0 METER  
T100 = 100 METER

ITEM	DESCRIPTION	MATERIAL	FINISH
10	WARNING LABEL	VINYL	ORANGE/BLACK
9	WRAP LABEL	VINYL	BLACK/YELLOW
8	OVERMOLD	TPE	BLACK
7	MALE COUPLING NUT	ALUMINIUM	CLEAR ANODIZE
6	PIN CONTACT	Cu ALLOY	GOLD OVER NICKEL
5	MALE INSERT	TPE	BLACK
4	FEMALE COUPLING NUT	ALUMINIUM	CLEAR ANODIZE
3	SOCKET CONTACT	Cu ALLOY	GOLD OVER NICKEL
2	FEMALE INSERT	TPE	BLACK
1	CABLE, #10-4, TC-ER	TPE	BLACK

FUNCTIONAL SYMBOLS	THIS DRAWING CONTAINS INFORMATION THAT IS PROPRIETARY TO MOLEX ELECTRONIC TECHNOLOGIES, LLC AND SHOULD NOT BE USED WITHOUT WRITTEN PERMISSION	CURRENT REV DESC: UPDATED ITEM #2.5.8 WERE PVC, 9&10, WERE PLASTIC FILM, PART NO. LEGEND ADDED MATERIAL TABLE, TOL. TABLE, IEC VOLT & CABLE DIA.		<p>BRAD POWER, M35 4 POLE, FEMALE-MALE, STRAIGHT, SINGLE KEY 10 AWG</p>																																				
	<table border="1"> <tr> <th>DIMENSION UNITS</th> <th colspan="2">SCALE</th> </tr> <tr> <td>INCH/MM</td> <td colspan="2">1:1</td> </tr> <tr> <th colspan="3">GENERAL TOLERANCES (UNLESS SPECIFIED)</th> </tr> <tr> <td>4 PLACES</td> <td>±</td> <td>±</td> </tr> <tr> <td>3 PLACES</td> <td>±</td> <td>±</td> </tr> <tr> <td>2 PLACES</td> <td>±</td> <td>±</td> </tr> <tr> <td>1 PLACE</td> <td>±</td> <td>±</td> </tr> <tr> <td>0 PLACES</td> <td>±</td> <td>±</td> </tr> <tr> <td colspan="2">ANGULAR TOL</td> <td>± °</td> </tr> </table>	DIMENSION UNITS	SCALE				INCH/MM	1:1		GENERAL TOLERANCES (UNLESS SPECIFIED)			4 PLACES	±	±	3 PLACES	±	±	2 PLACES	±	±	1 PLACE	±	±	0 PLACES	±	±	ANGULAR TOL		± °	<table border="1"> <tr> <td>EC NO: 709714</td> <td>2020/05/29</td> </tr> <tr> <td>DRWN: VHANDI</td> <td>2022/06/08</td> </tr> <tr> <td>CHK'D: RSTONE</td> <td>2022/06/14</td> </tr> <tr> <td>APPR: BWOODMAN</td> <td></td> </tr> </table>		EC NO: 709714	2020/05/29	DRWN: VHANDI	2022/06/08	CHK'D: RSTONE	2022/06/14	APPR: BWOODMAN	
DIMENSION UNITS	SCALE																																							
INCH/MM	1:1																																							
GENERAL TOLERANCES (UNLESS SPECIFIED)																																								
4 PLACES	±	±																																						
3 PLACES	±	±																																						
2 PLACES	±	±																																						
1 PLACE	±	±																																						
0 PLACES	±	±																																						
ANGULAR TOL		± °																																						
EC NO: 709714	2020/05/29																																							
DRWN: VHANDI	2022/06/08																																							
CHK'D: RSTONE	2022/06/14																																							
APPR: BWOODMAN																																								
DIVISIONAL SYMBOLS	<table border="1"> <tr> <td>DRWN: BRUPERT</td> <td>2011/11/09</td> </tr> <tr> <td>APPR: BWOODMAN</td> <td>2014/09/04</td> </tr> </table>	DRWN: BRUPERT	2011/11/09	APPR: BWOODMAN	2014/09/04	<table border="1"> <tr> <td>DOCUMENT NUMBER</td> <td>DOC TYPE</td> <td>DOC PART</td> <td>REVISION</td> </tr> <tr> <td>SD-130064-006</td> <td>PSD</td> <td>001</td> <td>C</td> </tr> </table>		DOCUMENT NUMBER	DOC TYPE	DOC PART	REVISION	SD-130064-006	PSD	001	C	<p>INITIAL REVISION:</p>																								
DRWN: BRUPERT	2011/11/09																																							
APPR: BWOODMAN	2014/09/04																																							
DOCUMENT NUMBER	DOC TYPE	DOC PART	REVISION																																					
SD-130064-006	PSD	001	C																																					
DRAFT WHERE APPLICABLE MUST REMAIN WITHIN DIMENSIONS		THIRD ANGLE PROJECTION	DRAWING	SERIES	MATERIAL NUMBER	CUSTOMER	SHEET NUMBER																																	
			C-SIZE	130064	SEE TABLE	GENERAL MARKET	1 OF 1																																	