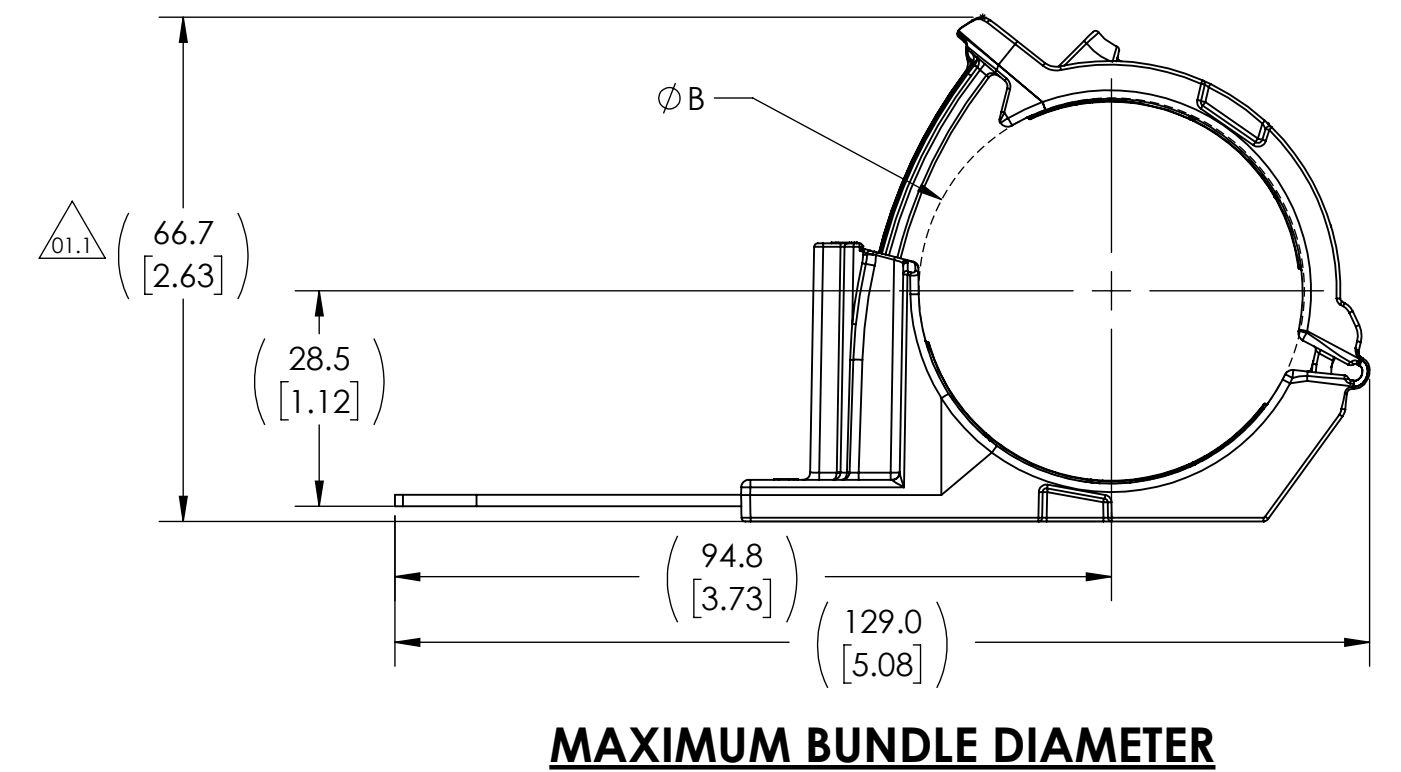
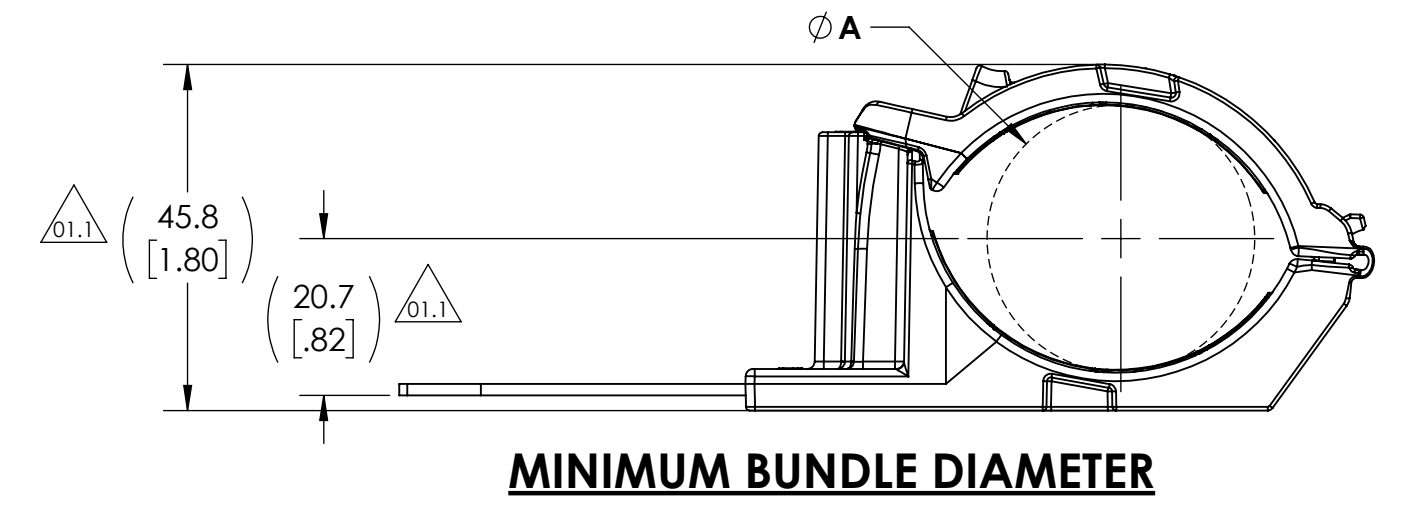
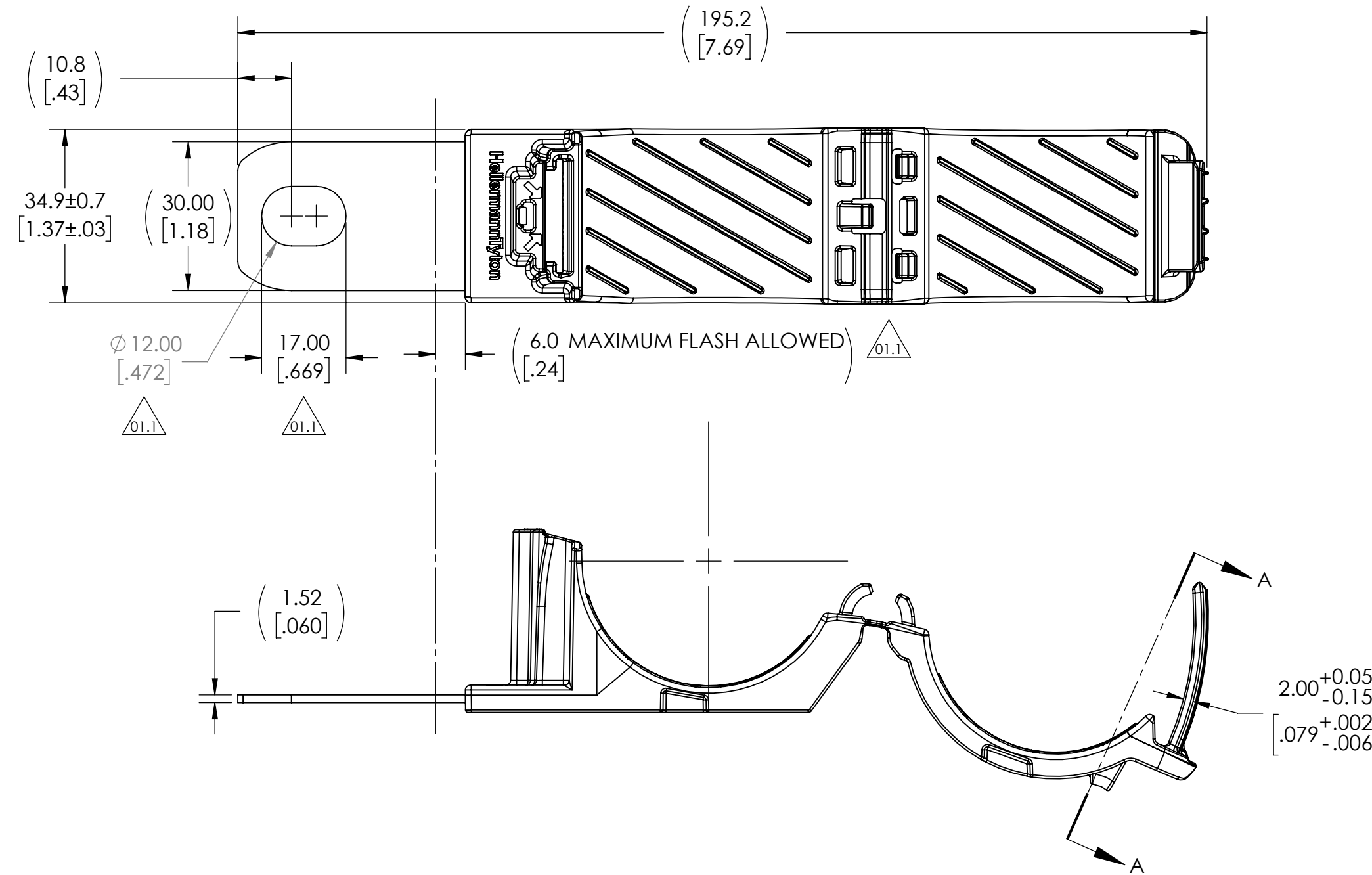
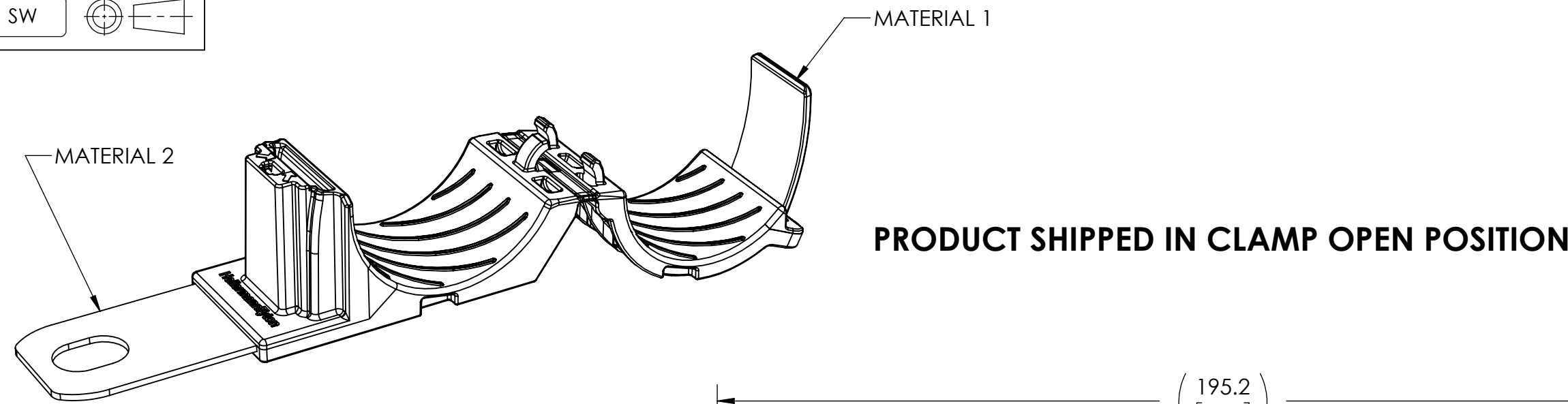
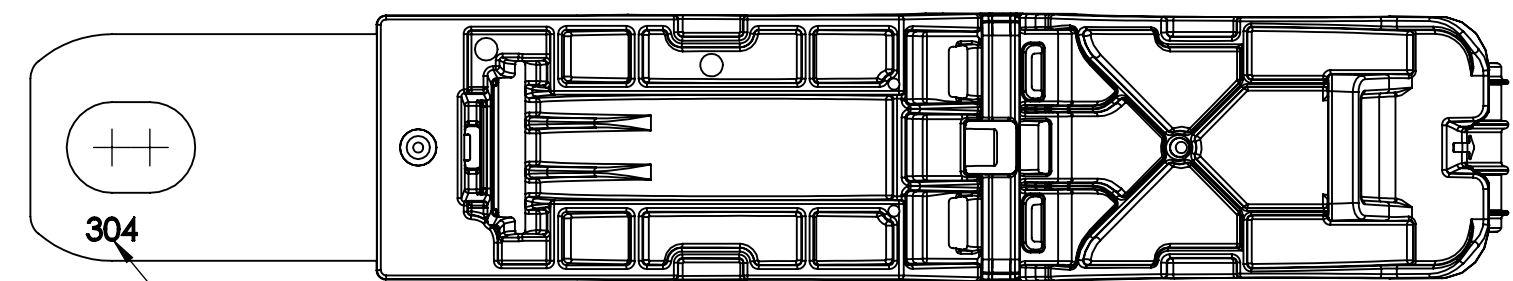


Revision level			Revision Record	Changed	Date	Approved	Date
Drawing	State	Part					
01.1	Design Release	-	SEE ECN# 014835	CTF	01/07/2019	MHT	01/07/2019

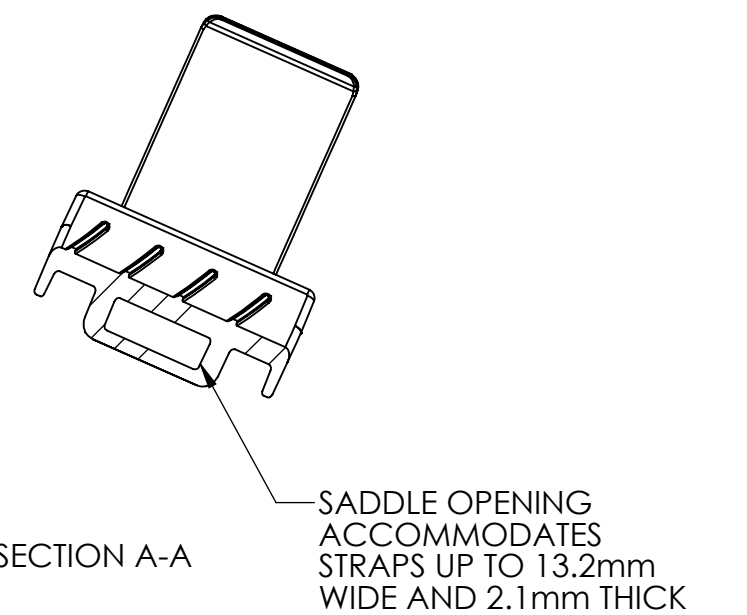


- INITIAL MOLD VALIDATION:**
 DRY AS MOLDED WITH ≤ 0.5% MOISTURE CONTENT:
- ITS-0003 RATCHET CLAMP SOLID MANDREL TEST:**
 EXCEEDED 445 NEWTONS (100 LBS) MIN AT A NOMINAL BUNDLE DIAMETER OF 44.45 [1.750]
 - ITS-0008 RATCHET CLAMP CLOSE AND RELEASE TEST:**
 EXCEEDED 445 NEWTONS (100 LBS) MIN AT A NOMINAL BUNDLE DIAMETER OF 44.45 [1.750] AFTER CLOSING AND RELEASING 40 TIMES
 - ITS-0014 RATCHET CLAMP LOW TEMPERATURE HINGE TEST:**
 NO DAMAGE OCCURRED AFTER BENDING LIVING HINGE 40 TIMES AT -40°C

- PERFORMANCE REQUIREMENTS:**
 DRY AS MOLDED WITH ≤ 0.5% MOISTURE CONTENT:
- ITS-0001 RATCHET CLAMP SPLIT MANDREL TEST:**
 445 NEWTONS (100 LBS) MIN AT A NOMINAL BUNDLE DIAMETER OF 44.45 [1.750]
 - MAXIMUM PERCENT REGRIND PERMISSIBLE: 25%**
 - MAXIMUM ALLOWABLE FLASH TO BE: 0.25mm**
 - MAXIMUM ALLOWABLE MISMATCH TO BE 0.24mm**



"304" STAINLESS DESIGNATION MAY APPEAR ON EITHER SIDE OF THE STAMPING



BUNDLE TYPES	A MINIMUM DIAMETER	B MAXIMUM DIAMETER
SOFT	36.0 [1.42]	51.0 [2.00]
HARD	35.2 [1.39]	49.9 [1.96]

Notes	Material 1. PA66HIRHSUV 2. STAINLESS STEEL	Units: millimeters Dimension without tolerances details to: .xxx = ±.013 .xx = ±.13 .x = ±.3 None = ±.8 < = ±0.5*	The copyright of this drawing is reserved by HellermannTyton. It is issued on condition that it is not reproduced, copied, or disclosed to a third party, either wholly or in part, without the consent of HellermannTyton.	Drawn	CTF	10/11/17	Article/Type-No RCD180XM12X17SS	Scale 1:1			
				Approved	MHT	10/11/17					
				HellermannTyton North America Email: corp@htamericas.com Web: www.hellermann.tyton.com					Title RCD RATCHET P CLAMP, SIZE D, CLAMP RANGE 36.0 TO 51.0, STAINLESS STEEL, OVAL HOLE		Project Number PRP17-2122
									Drawing-No 17-2122-104-CSU		Format C Sheet 1/1