

THIS DRAWING IS UNPUBLISHED.

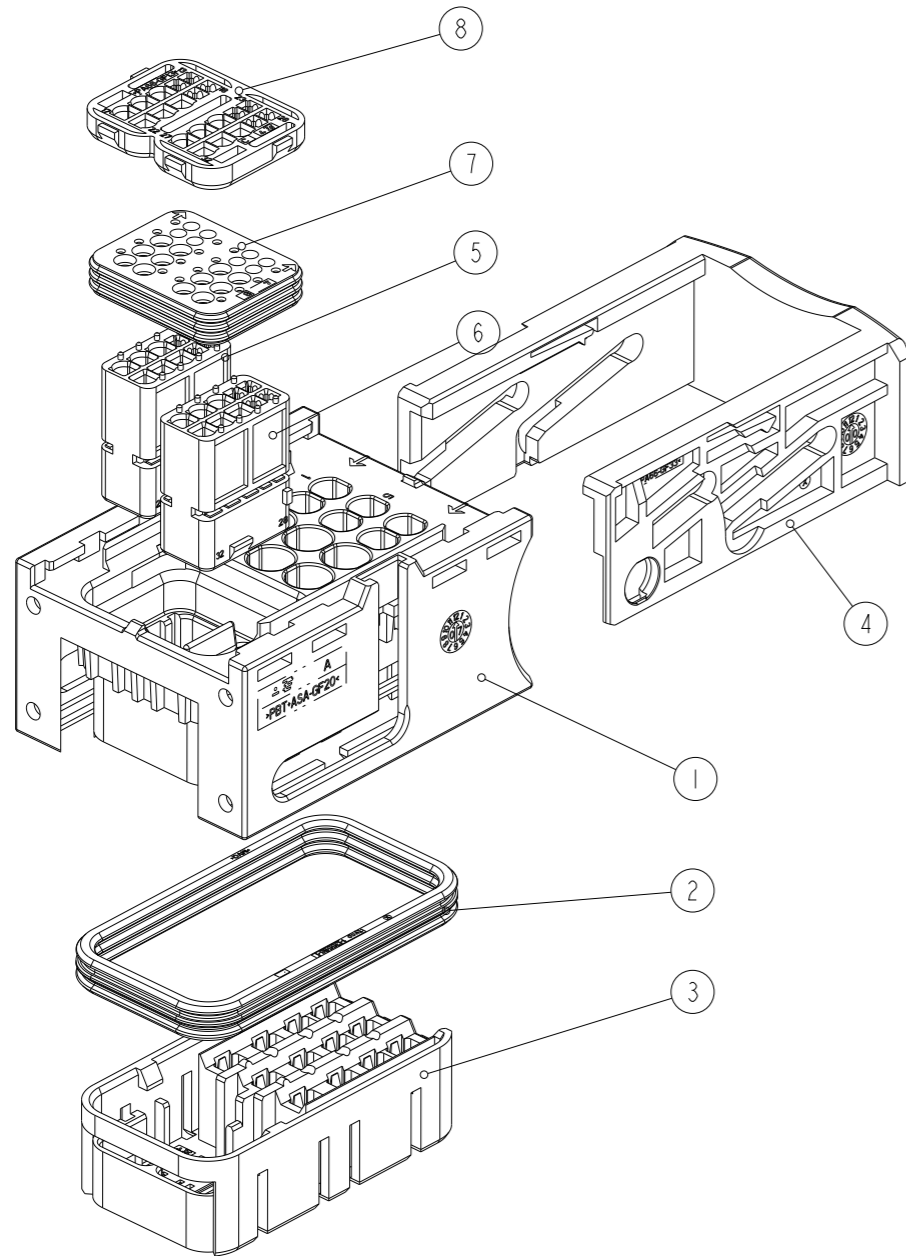
RELEASED FOR PUBLICATION

© COPYRIGHT copyright_dBTe-

ALL RIGHTS RESERVED.

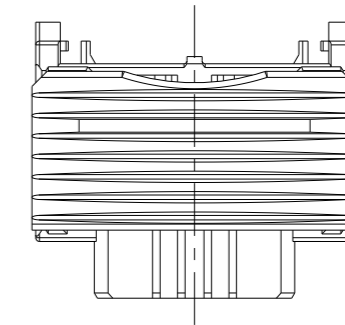
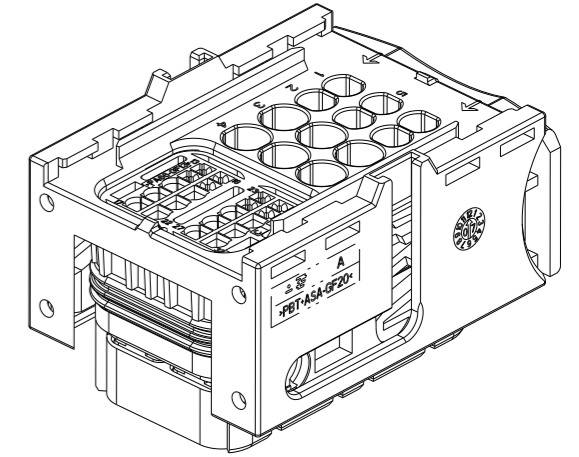
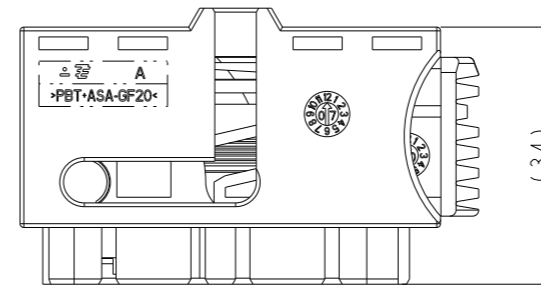
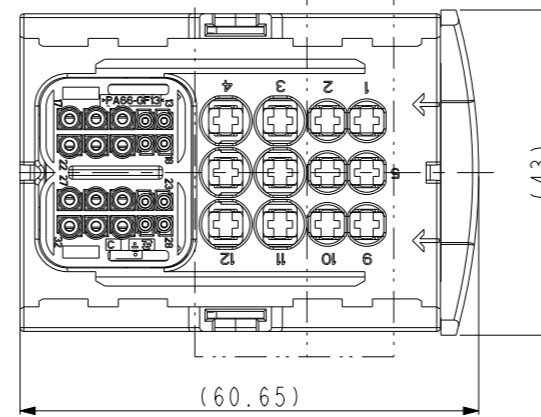
REVISIONS

P	LTR	DESCRIPTION	DATE	DWN	APVD
	B	REVISED (ECR-11-023807)	28DEC2011	YH	HG
	C	REVISED (ECR-12-010482)	05APR2012	YH	HG
	CI	REVISED (ECR-13-006743)	22APR2013	YH	HG
	D	REVISED (ECR-21-000441)	09JUL2021	YH	YJ



MCP 2.8 TERMINAL (6X) IN THIS AREA
 WIRE SIZE RANGE 2.0~3.0mm² (INSULATION 2.6~3.7mm)

MCP 2.8 TERMINAL (6X) IN THIS AREA
 WIRE SIZE RANGE 0.5~2.5mm² (INSULATION 1.4~3.0mm)

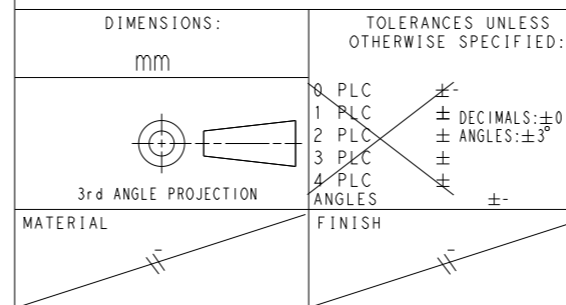


Notes

- 1. SUITABLE RETAINERS: 2005216, 2005222
- 2. SUITABLE CONTACTS : SEE TABLE

CONTACT NAME	WIRE SIZE RANGE (mm ²)	DIAMETER OF INSULATION (mm)	TERMINAL PART NUMBER	SING WIRE SEAL	CAVITY PLUG	USED CIRCUIT NO.
MQS	0.35~0.5	∅1.4~∅1.6	968220(2005119)	N/A	1897421-2	ALL OF 0.63TAB
	0.5~0.75	∅1.6~∅1.9	968221(2005120)	N/A		
MQS 1.5	0.5	∅1.6~∅1.7	(CI) 1452158	N/A	1897422-1	ALL OF 1.5TAB
	0.75~1.5	∅1.7~∅2.4	1241608	N/A		
MCP 2.8	0.5~1.0	∅1.4~∅2.1	968855	828904-1	828922-1	1, 2, 5, 6, 9, 10
	1.5~2.5	∅2.2~∅3.0	968857	828905-1		
	2.0~2.5	∅2.6~∅3.1	(CI) 968857	828985-1	828986-1	3, 4, 7, 8, 11, 12
	3.0	∅3.0~∅3.7	968859			

THIS DRAWING IS A CONTROLLED DOCUMENT.



DWN YH MA	-
YH MA	-
CHK KT LIM	-
KT LIM	-
APVD HG CHO	-
HG CHO	-
PRODUCT SPEC	108-61224
APPLICATION SPEC	114-61046
WEIGHT	-
CUSTOMER DRAWING	-

NO	FINISH/COLOR	MATERIAL	DESCRIPTION	QTY	
(B)	8	BLACK	PA66-GF13	SEAL HOLDER HSG	1
(D)(B)	7	RED-BROWN	SILICONE	FAMILY SEAL	1
	6	BROWN	PA66-GF13	REC. HSG COD. B	1
(C)	5	BLACK	PA66-GF13	REC. HSG COD. A	1
	4	BLACK	PA66-GF30	SLIDE	1
(D)	3	BLACK	PBT+ASA-GF20	CAVITY BLOCK	1
	2	NATURAL	SILICONE	SEALING	1
(D)(C)	1	BLACK	PBT+ASA-GF20	CARRIER HOUSING	1



NAME				MQS/1.5mm/2.8mm TCU 32P PLUG ASS'Y	
SIZE	CAGE CODE	DRAWING NO	RESTRICTED TO		
A3	00779	C-2005217	-		
SCALE		SHEET		OF	REV
1:1		1		1	D

ASS'Y P/N
2005217-2