

NOTES:

1. MATERIALS AND FINISHES:

- BODY - ZINC ALLOY, MATTE TIN PLATED (.000100" MIN.)
- SPRING CONTACT - BERYLLIUM COPPER, MATTE TIN PLATED (.000100" MIN.)
- CONTACT - PHOSPHOR BRONZE, SELECTIVE GOLD PLATED (.000030" MIN.)
- FERRULE - SOFT COPPER, NICKEL PLATED (.000100" MIN.)
- INSULATOR - PTFE, COLOR: WHITE
- CLIP - PBT, COLOR: YELLOW
- HOUSING - PPE+PS, COLOR: SEE TABLE BELOW

C04 CONNECTOR SUB-ASSEMBLY P/N: 903-848P-51S

CONTACTS IS SUPPLIED SEPARATELY AS P/N: FKCP03302 (5,000 PCS. REEL)  
 C04 FERRULE MAY BE PURCHASED SEPARATELY AS P/N: 923-10081 (100 PCS. TRAY)  
 CABLE DEFINITIONS PER AMPHENOL REPORT DE825

2. ELECTRICAL:

- A. IMPEDANCE = 50 OHM, NOMINAL
- B. FREQUENCY RANGE = DC - 6 GHz, (OPTIMIZED FOR DC-4 GHz)
- C. VSWR = 1.4 (-15.6 dB), MAX. (DC-2 GHz)  
 (MATED PAIR) 1.5 (-13.9 dB), MAX. (2-3 GHz)
- D. D.W.V. = 800 VRMS, MIN.

3. MECHANICAL:

- A. DURABILITY = 100 CYCLES MIN.
- B. TEMPERATURE RANGE = -40° C TO +85° C
- C. MECHANICAL PULL = 110 N MIN.

4. CONNECTOR ASSEMBLY:

- A. SEE 349-50767 FOR CONNECTOR ASSEMBLY INSTRUCTIONS
- B. SEE 349-50748 OR 349-50750 FOR RF CONTACT TOOLING
- C. SEE 349-50747 FOR RF CONTACT CRIMPING CRITERIA

5. PACKAGING:

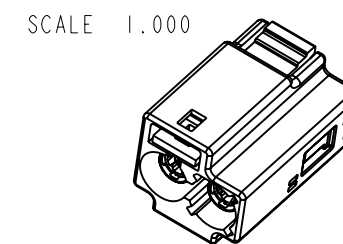
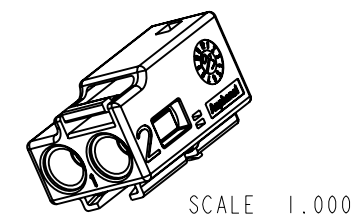
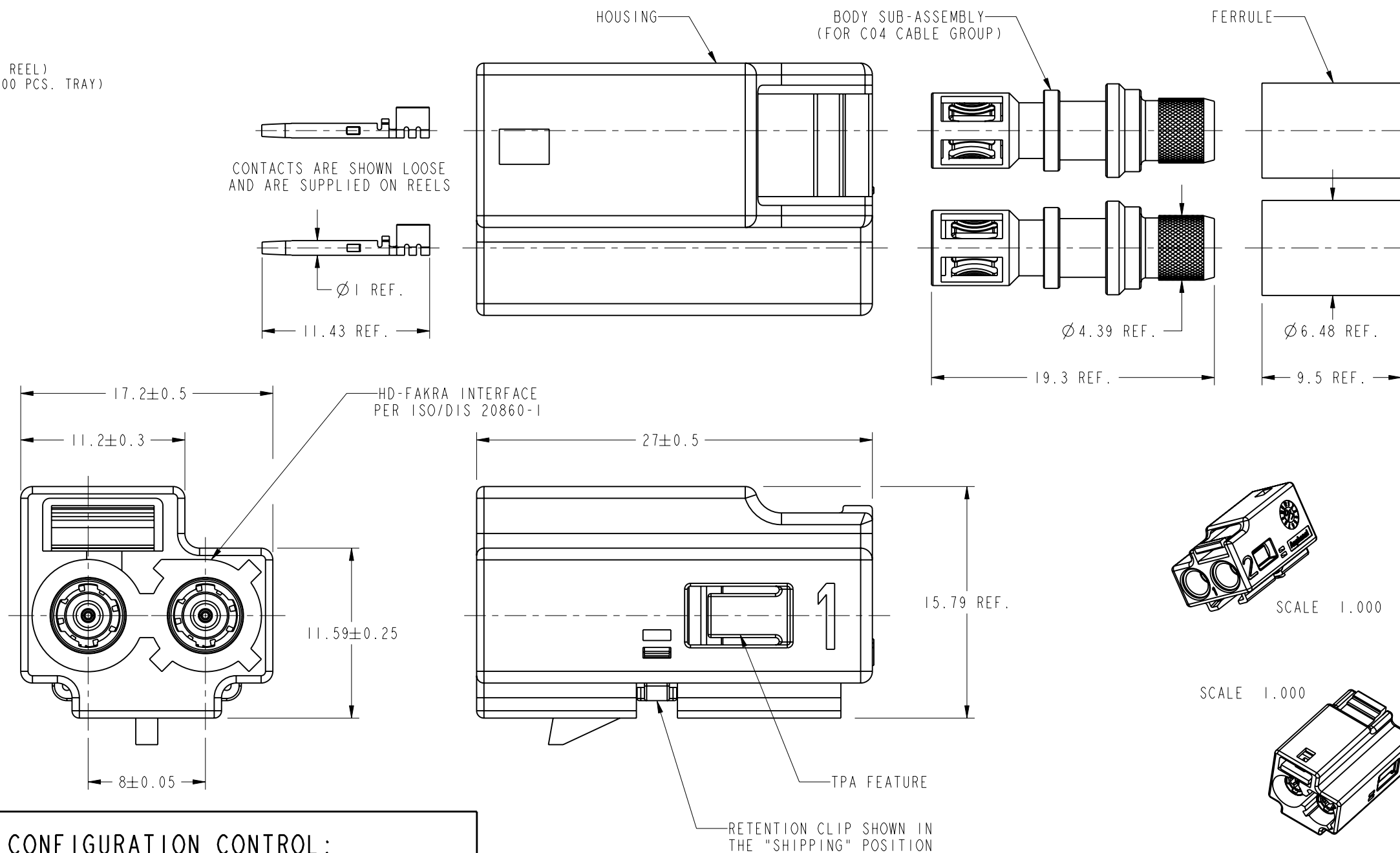
- A. QUANTITY: TRAY PACK
- B. PACKAGING TO BE MARKED: AMPHENOL RF  
 3FAH-NXSJ-C04W6  
 DATE CODE

6. ALL DIMENSIONS MECHANICAL & ELECTRICAL DESIGN COMPLY WITH DIN 72594-1 AND USCAR-18 SPEC.

THIRD ANGLE PROJ.

REVISIONS

REV	DESCRIPTION	DATE	ECO	APPR
A	RELEASE TO MFG.	18-Apr-11	-----	JY



**CONFIGURATION CONTROL:**  
 NO CHANGES PERMITTED TO DRAWING WITHOUT  
 PPAP QUALIFIED CUSTOMER APPROVAL

**CUSTOMER OUTLINE DRAWING**

ALL OTHER SHEETS ARE FOR INTERNAL USE ONLY

CODING	DRAWING NO.	COLOR
A	3FAH-NASJ-C04W6	JET BLACK
B	3FAH-NBSJ-C04W6	CREAM
C	3FAH-NCSJ-C04W6	SIGNAL BLUE
D	3FAH-NDSJ-C04W6	CLARET VIOLET
E	3FAH-NESJ-C04W6	LEAF GREEN
F	3FAH-NFSJ-C04W6	NUT BROWN
G	3FAH-NGSJ-C04W6	BLUE GREY
H	3FAH-NHSJ-C04W6	HEATHER VIOLET
I	3FAH-NISJ-C04W6	BEIGE
K	3FAH-NKSJ-C04W6	CURRY
L	3FAH-NLSJ-C04W6	CARMINE RED
M	3FAH-NMSJ-C04W6	PASTEL ORANGE
N	3FAH-NNSJ-C04W6	PASTEL GREEN
Z	3FAH-NZSJ-C04W6	WATER BLUE

UNLESS OTHERWISE SPECIFIED, DIMENSIONS ARE IN METRIC AND TOLERANCES ARE:  
 <0.5mm ±0.05mm    0.5 - 6mm ±0.1mm    6 - 30mm ±0.2mm    30 - 120mm ±0.3mm    ANGLES ±1°

NOTICE - These drawings, specifications, or other data (1) are, and remain the property of Amphenol corp. (2) must be returned upon request; and (3) are confidential and not to be disclosed to any person other than those to whom they are given by Amphenol Corp. the furnishing of these drawings, specifications, or other data by Amphenol Corp., or to any other person to anyone for any purpose is not to be regarded by implication or otherwise in any manner licensing, granting rights to permitting such holder or any other person to manufacture, use or sell any product, process or design, patented or otherwise, that may in any way be related to or disclosed by said drawings, specifications, or other data.

MATERIAL	DRAWN	DATE	TITLE
	K.LIAO	18-Apr-11	2-WAY HD-FAKRA JACK, CLOSED-ENTRY (GEN 3.0), 2-C04 PORTS (CONTACT SOLD SEPARATELY)
REFERENCE	ENGINEER	DATE	SCALE: 3.0:1.0 SHEET 2 OF 2
EAR # 3306 AND REF: 2FAHENSXJ-C04W6	J.YANG	18-Apr-11	
CONFIGURATION LEVEL:	APPROVED	DATE	DWG SIZE
	S.SIEH	19-Apr-11	B
FINISH	CAD FILE		REV
	I:\FAKRA\3FAH-NXSJ-C04W6		A

<b>Amphenol RF</b>	
Danbury CT USA, Tainan, Taiwan, Shenzhen, China www.amphenolrf.com	
DRAWING NO.	3FAH-NXSJ-C04W6
ITEM NO.	3FAH-NXSJ-C04W6
PART NO.	3FAH-NXSJ-C04W6