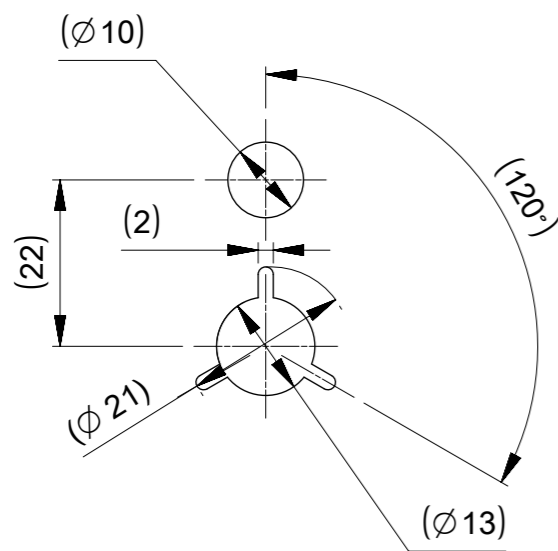
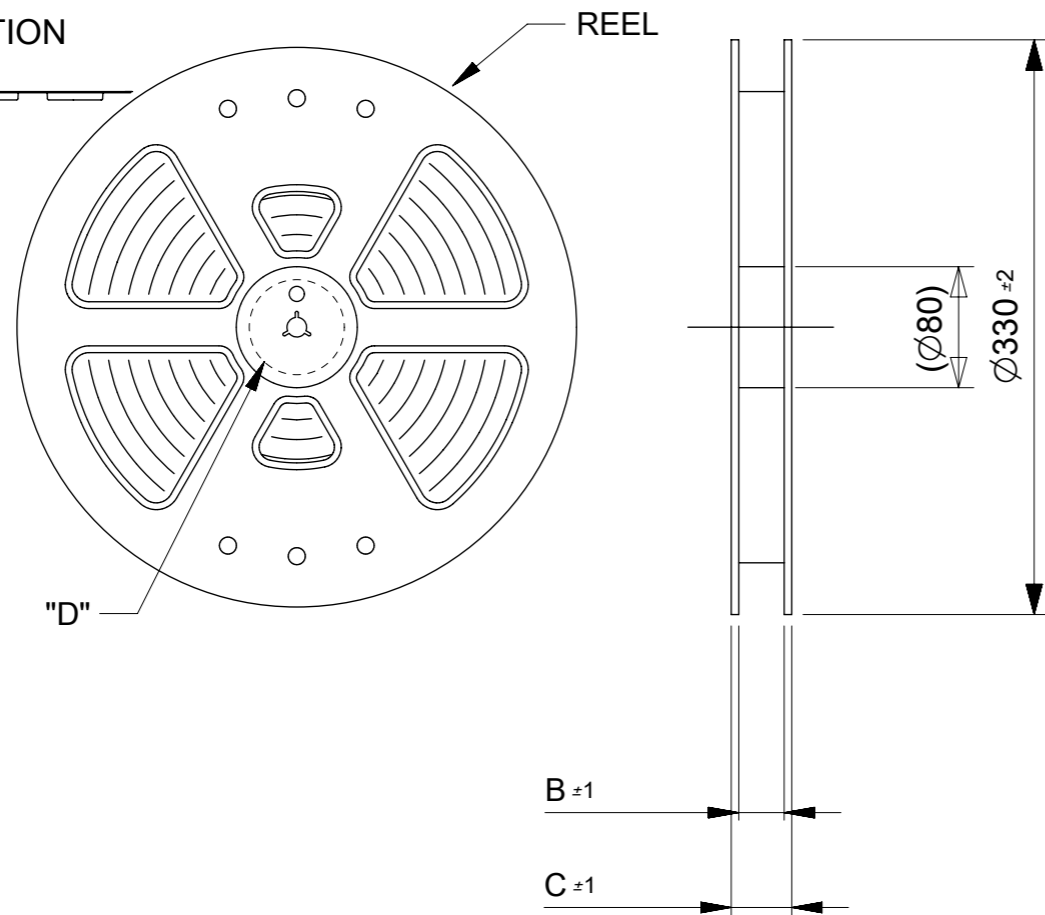


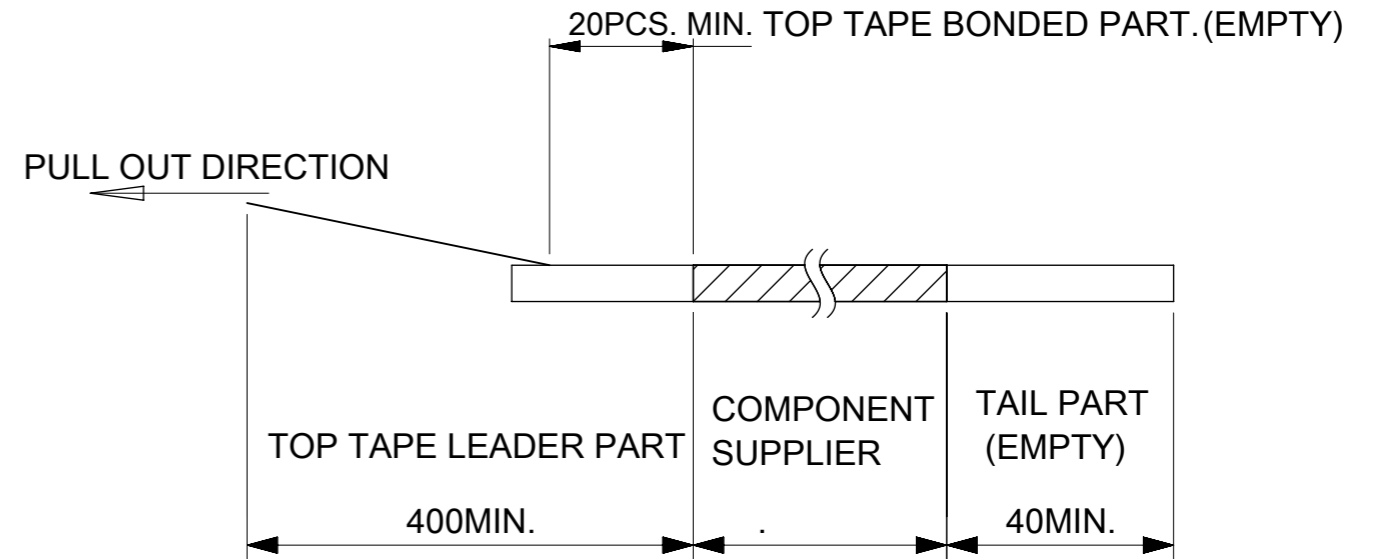
PULL OUT DIRECTION



DETAIL "D"

NOTES

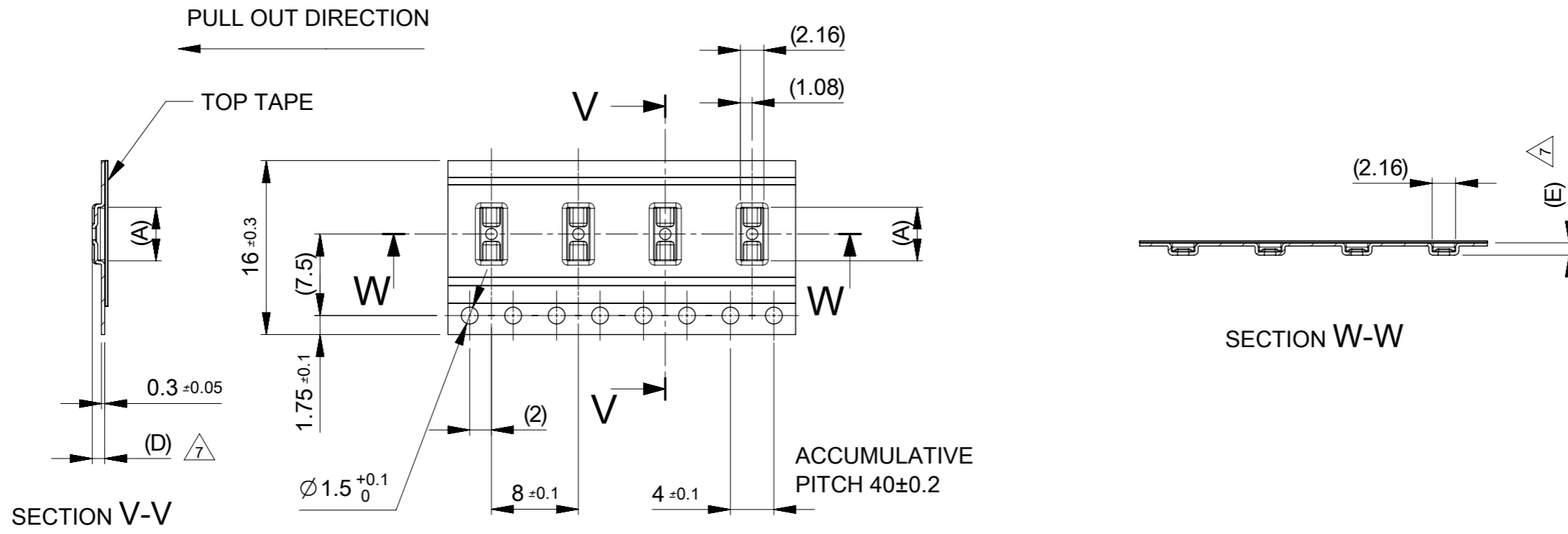
- RE DETAILED DIMENSION, SEE PRODUCT DRAWING.
- NUMBER OF CONNECTORS : 6000 PCS/REEL.
- LEAD TAPE LENGTH.



- TOP TAPE PEEL FORCE IS DEFINED BY IEC60286-3
 - MATERIAL
CARRER TAPE :POLYSTYRENE
TOP TAPE :PET , OTHER
REEL :POLYSTYRENE(PS)(RECYCLE MATERIAL CONTAINED)
 - ELV AND RoHS COMPLIANT
- △ Only 6 circuit is different in this dimension.

MODEL NO. 505070-**40

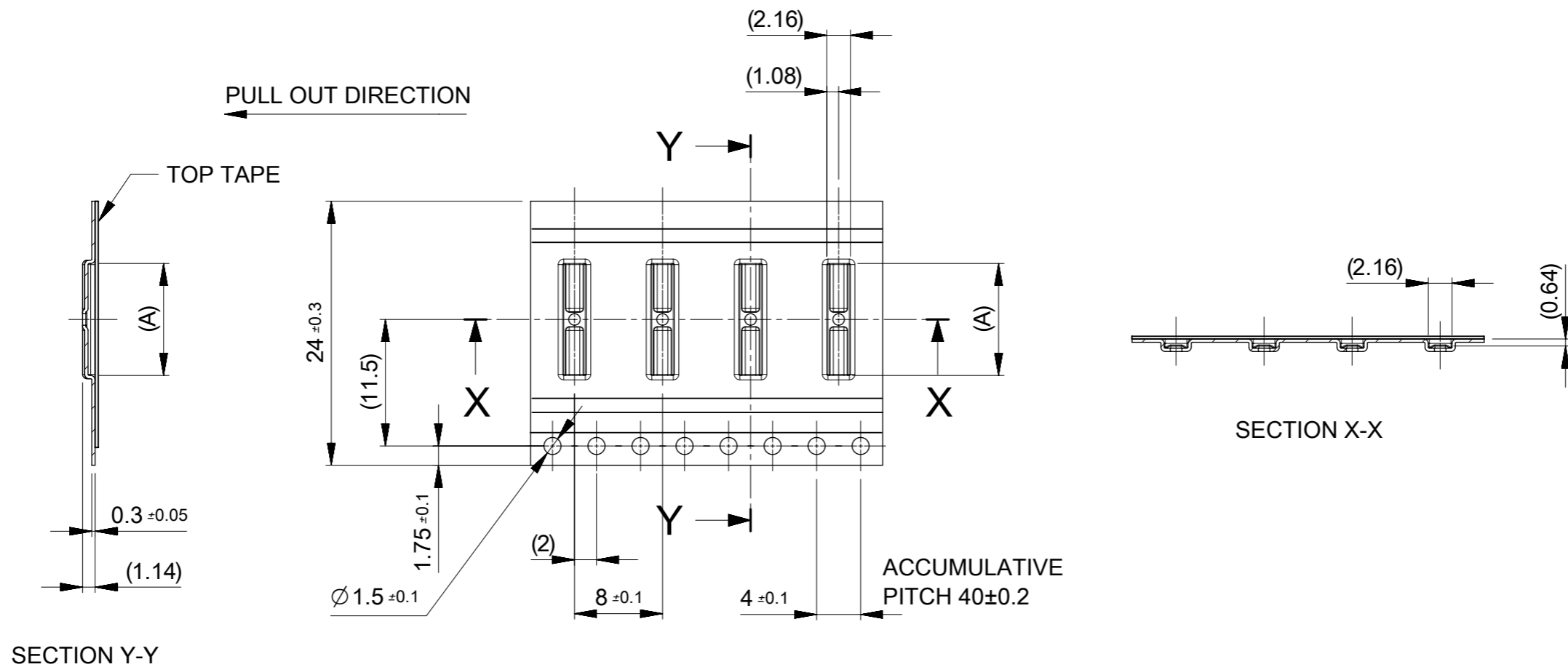
THIS DRAWING CONTAINS INFORMATION THAT IS PROPRIETARY TO MOLEX ELECTRONIC TECHNOLOGIES, LLC AND SHOULD NOT BE USED WITHOUT WRITTEN PERMISSION											
REVISED	EC NO: 110631	2016/11/17	GENERAL TOLERANCES (UNLESS SPECIFIED)		DIMENSION UNITS	SCALE	molex [®]				
	DRWN: TSOMEYA	2016/11/28	ANGULAR TOL ± 1.0 °		MM	1:5					
	CHK'D: KTANAKA03	2016/11/28	4 PLACES	± 0.01	DRWN BY	DATE	0.35 BB CONN. H=0.6 SSB6 RP PLUG ASSY				
	APP: TKUSUHARA01		3 PLACES	± 0.03	STERUKI	2016/02/15					
			2 PLACES	± 0.05	CHK'D BY	DATE					
		1 PLACE	± 0.1	KTANAKA03	2016/02/18	PRODUCT CUSTOMER DRAWING					
		0 PLACES	± 0.2	APPR BY	DATE	SERIES	MATERIAL NUMBER	CUSTOMER			
				KMORIKAWA	2016/02/19	505070	SEE CHART	GENERAL			
				DRAFT WHERE APPLICABLE MUST REMAIN WITHIN DIMENSIONS		DRAWING SIZE	THIRD ANGLE PROJECTION	DOCUMENT NUMBER	DOC TYPE	DOC PART	SHEET NUMBER
F					A3			5050700000	PSD	002	1 OF 3



16	0.64	1.14	21.4	17.4	6.68	505070-3040	○	---	30	
					5.63	505070-2440	○	---	24	
					5.28	505070-2240	○	---	22	
					4.93	505070-2040	○	---	20	
					4.58	505070-1840	---	---	18	
					4.23	505070-1640	○	---	16	
					3.88	505070-1440	○	---	14	
					3.53	505070-1240	○	---	12	
					3.18	505070-1040	○	---	10	
					2.78	505070-0840	---	○	8	
					2.43	505070-0640	○	---	6	
キャリアテープ幅 CARRIER TAPE WIDTH		(E)	(D)	C	B	(A)	MATERIAL No.	HIGH VOL. TOOL	LOW VOL. TOOL	CIRCUIT
								SAMPLE PREPARATION		

THIS DRAWING CONTAINS INFORMATION THAT IS PROPRIETARY TO MOLEX ELECTRONIC TECHNOLOGIES, LLC AND SHOULD NOT BE USED WITHOUT WRITTEN PERMISSION

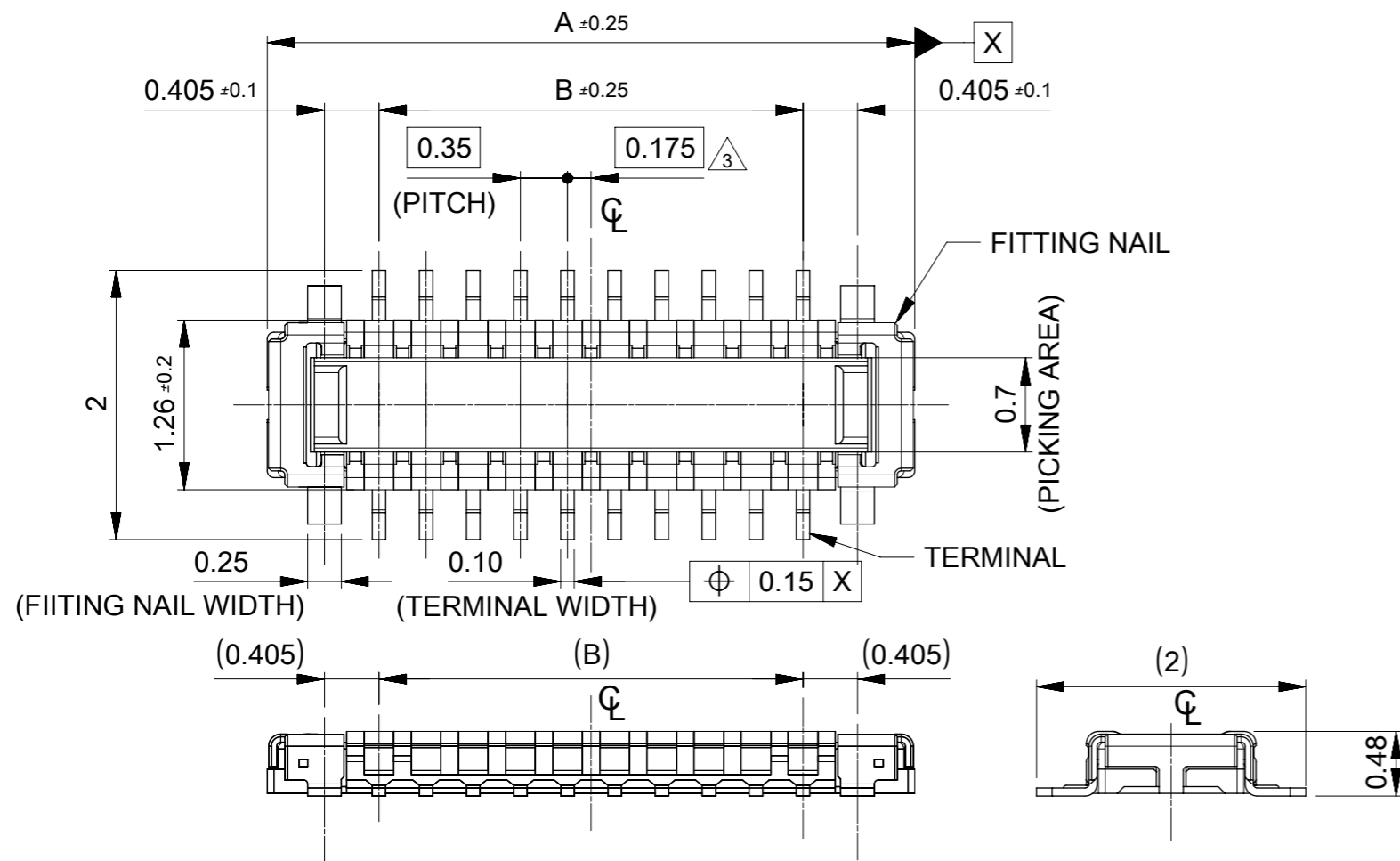
EC NO: 110631 DRWN: TSOMEYA CHK'D: KTANAKA03 APPR: TKUSUHARA01	2016/11/17	2016/11/28	2016/11/28	GENERAL TOLERANCES (UNLESS SPECIFIED) ANGULAR TOL ± 1.0 ° 4 PLACES ± 0.01 3 PLACES ± 0.03 2 PLACES ± 0.05 1 PLACE ± 0.1 0 PLACES ± 0.2 DRAFT WHERE APPLICABLE MUST REMAIN WITHIN DIMENSIONS	DIMENSION UNITS	SCALE	
	REVIS	MM	2:1				
	DRWN BY	DATE	STERUKI		2016/02/15		
	CHK'D BY	DATE	KTANAKA03		2016/02/18		
	APPR BY	DATE	KMORIKAWA		2016/02/19		
	DRAWING SIZE	THIRD ANGLE PROJECTION	A3				
PRODUCT CUSTOMER DRAWING SERIES: 505070 MATERIAL NUMBER: SEE CHART CUSTOMER: GENERAL DOCUMENT NUMBER: 5050700000 DOC TYPE: PSD DOC PART: 002 SHEET NUMBER: 2 OF 3							



24	29.4	25.4	12.63	505070-6440	---	---	64	
			11.93	505070-6040	---	---	60	
			10.88	505070-5440	○	---	54	
			10.18	505070-5040	○	---	50	
			9.83	505070-4840	○	---	48	
			9.48	505070-4640	---	---	46	
			8.78	505070-4240	○	---	42	
			8.43	505070-4040	○	---	40	
			7.38	505070-3440	○	---	34	
キャリアテープ幅 CARRIER TAPE WIDTH		C	B	(A)	MATERIAL No.	HIGH VOL TOOL SAMPLE PREPARATION	LOW VOL TOOL	CIRCUIT

THIS DRAWING CONTAINS INFORMATION THAT IS PROPRIETARY TO MOLEX ELECTRONIC TECHNOLOGIES, LLC AND SHOULD NOT BE USED WITHOUT WRITTEN PERMISSION

EC NO: 110631 DRWN: TSOMEYA CHK'D: KTANAKA03 REV APPR: TKUSUHARA01	2016/11/17	2016/11/28	2016/11/28	GENERAL TOLERANCES (UNLESS SPECIFIED) ANGULAR TOL ± 1.0 ° 4 PLACES ± 0.01 3 PLACES ± 0.03 2 PLACES ± 0.05 1 PLACE ± 0.1 0 PLACES ± 0.2	DIMENSION UNITS	SCALE				
	REVISION	DATE	DATE		MM	2:1				
	DRWN BY	DATE	DATE		STERUKI	2016/02/15				
	CHK'D BY	DATE	DATE		KTANAKA03	2016/02/18				
	APPR BY	DATE	DATE		KMORIKAWA	2016/02/19				
DRAFT WHERE APPLICABLE MUST REMAIN WITHIN DIMENSIONS				DRAWING SIZE	THIRD ANGLE PROJECTION	PRODUCT CUSTOMER DRAWING				
				A3		SERIES	MATERIAL NUMBER	CUSTOMER		
						505070	SEE CHART	GENERAL		
						DOCUMENT NUMBER		DOC TYPE	DOC PART	SHEET NUMBER
						5050700000		PSD	002	3 OF 3



- 1 MATERIAL
 WAFER: LIQUID CRYSTAL POLYMER UL94V-0 (COLOR : BLACK)
 TERMINAL: COPPER ALLOY
 FITTING NAIL : COPPER ALLOY
- 2 PLATING
 TERMINAL :
 CONTACT AREA: SEPARATED GOLD PLATING (0.1 MICROMETER MINIMUM).
 SOLDER TAIL AREA: SEPARATED GOLD PLATING.
 UNDERPLATE: NICKEL OVERALL.
 *DIVIDE INTO PARTS THE GOLD PLATING OF THE CONTACT AND THE TAIL PART BY THE NICKEL PLATING.
 FITTING NAIL :
 CONTACT AREA: SEPARATED GOLD PLATING (0.1 MICROMETER MINIMUM).
 SOLDER TAIL AREA: SEPARATED GOLD PLATING.
 UNDERPLATE: NICKEL OVERALL.
 *DIVIDE INTO PARTS THE GOLD PLATING OF THE CONTACT AND THE TAIL PART BY THE NICKEL PLATING.
 *EVEN THOUGH GOLD PLATING ON THE TOP SURFACE OF NAIL MIGHT BE THIN, NO FUNCTIONAL PROBLEM.
- 3 APPLY FOR (CIRCUIT/2)=EVEN.
- 4 MATE WITH : 505066-**20
- 5 TAIL AND FITTING NAIL COPLANARITY TO BE 0.08 MAXIMUM.
- 6 PROHIBITED AREA OF PATTERN WIRING AND SOLDER.
 (FOR EACH AREA, THE WIRING THAT TOUCHES ON THE SOLDER CAN BE ATTACHED, THEN COVERED WITH A FILM TO KEEP SOLDER OUT).
- 7 ELV and RoHS COMPLIANT.

14.76	14.16	11.90	13.56	505070-7040	---	---	70
13.71	13.11	10.85	12.51	505070-6440	---	---	64
13.01	12.41	10.15	11.81	505070-6040	---	---	60
12.66	12.06	9.80	11.46	505070-5840	---	---	58
11.96	11.36	9.10	10.76	505070-5440	○	---	54
11.26	10.66	8.40	10.06	505070-5040	○	---	50
10.91	10.31	8.05	9.71	505070-4840	○	---	48
10.56	9.96	7.70	9.36	505070-4640	---	---	46
9.86	9.26	7.00	8.66	505070-4240	○	---	42
9.51	8.91	6.65	8.31	505070-4040	○	---	40
9.16	8.56	6.30	7.96	505070-3840	---	---	38
8.46	7.86	5.60	7.26	505070-3440	○	---	34
7.76	7.16	4.90	6.56	505070-3040	○	---	30
7.41	6.81	4.55	6.21	505070-2840	---	---	28
6.71	6.11	3.85	5.51	505070-2440	○	---	24
6.36	5.76	3.50	5.16	505070-2240	○	---	22
6.01	5.41	3.15	4.81	505070-2040	○	---	20
5.66	5.06	2.80	4.46	505070-1840	---	---	18
5.31	4.71	2.45	4.11	505070-1640	○	---	16
4.96	4.36	2.10	3.76	505070-1440	○	---	14
4.61	4.01	1.75	3.41	505070-1240	○	---	12
4.26	3.66	1.40	3.06	505070-1040	○	---	10
3.91	3.31	1.05	2.71	505070-0840	---	○	8
3.56	2.96	0.70	2.36	505070-0640	○	---	6
				EMBOSSSED TAPE PACKAGE	HIGH VOL. TOOL	LOW VOL. TOOL	
D	C	B	A	ORDER NO.	SAMPLE PREPARATION ○ : TOOLED △ : WORK IN PROCESS ---: TOOLING TO BE CONFIRMED		CIRCUIT

CONNECTOR SERIES NO. : 505070-**39

THIS DRAWING CONTAINS INFORMATION THAT IS PROPRIETARY TO MOLEX ELECTRONIC TECHNOLOGIES, LLC AND SHOULD NOT BE USED WITHOUT WRITTEN PERMISSION

REVISED	EC NO: 110631	DRWN: TSOMEYA	CHK'D: KTANAKA03	APPR: TKUSUHARA01	GENERAL TOLERANCES (UNLESS SPECIFIED)	DIMENSION UNITS	SCALE			
	2016/11/21	2016/11/28	2016/11/28	2016/11/28	ANGULAR TOL ± 1.0 °	MM	20:1			
	4 PLACES ± 0.01	3 PLACES ± 0.03	2 PLACES ± 0.05	1 PLACE ± 0.1	0 PLACES ± 0.2	DRWN BY	DATE		STERUKI 2016/02/03	
	DRAFT WHERE APPLICABLE MUST REMAIN WITHIN DIMENSIONS				3 PLACES ± 0.03	CHK'D BY	DATE		KTANAKA03 2016/02/18	
	DRAFT WHERE APPLICABLE MUST REMAIN WITHIN DIMENSIONS				2 PLACES ± 0.05	APPR BY	DATE		KMORIKAWA 2016/02/19	
DRAFT WHERE APPLICABLE MUST REMAIN WITHIN DIMENSIONS				1 PLACE ± 0.1	DRAWING SIZE	THIRD ANGLE PROJECTION	PRODUCT CUSTOMER DRAWING			
DRAFT WHERE APPLICABLE MUST REMAIN WITHIN DIMENSIONS				0 PLACES ± 0.2	A3	SERIES		MATERIAL NUMBER	CUSTOMER	
DRAFT WHERE APPLICABLE MUST REMAIN WITHIN DIMENSIONS						505070		SEE CHART	GENERAL	
DRAFT WHERE APPLICABLE MUST REMAIN WITHIN DIMENSIONS						DOCUMENT NUMBER		DOC TYPE	DOC PART	SHEET NUMBER
DRAFT WHERE APPLICABLE MUST REMAIN WITHIN DIMENSIONS						5050701000		PSD	002	1 OF 2

