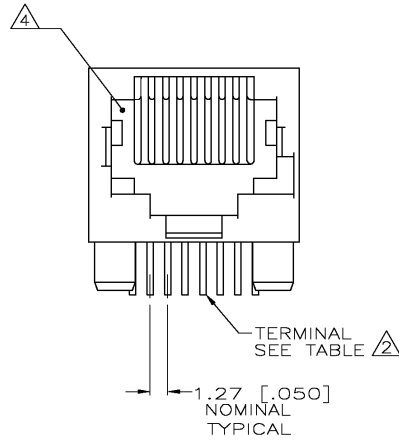
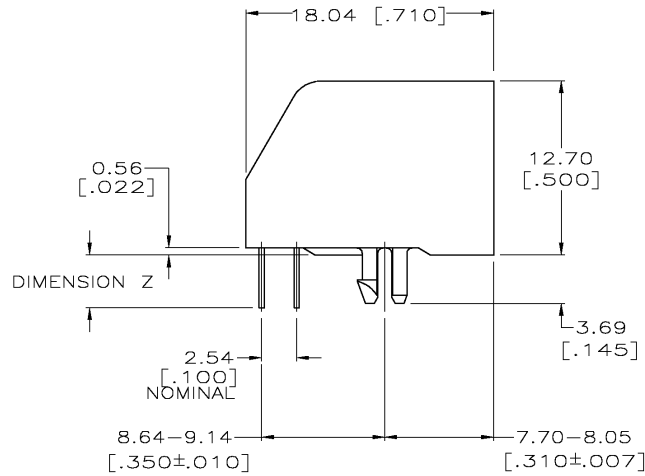
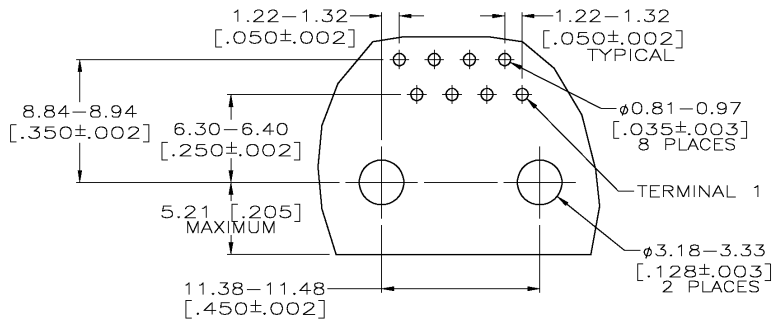
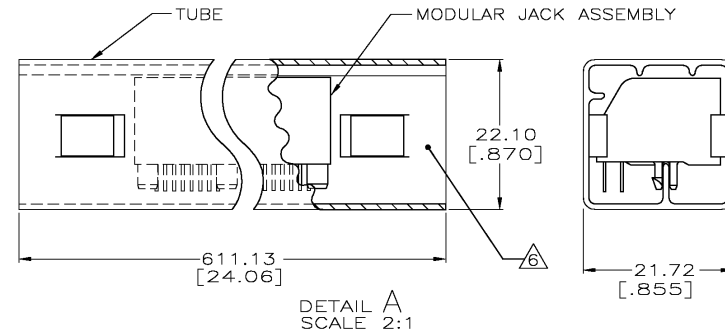
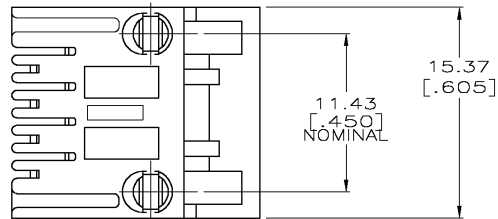


4  
DRAWING MADE IN THIRD ANGLE PROJECTION  
THIS DRAWING IS UNPUBLISHED. RELEASED FOR PUBLICATION .19  
© COPYRIGHT 19 BY AMP INCORPORATED. ALL INTERNATIONAL RIGHTS RESERVED.

LOC		DIST		REVISIONS				DATE	APPO
P	F	ZONE	LTR	DESCRIPTION					
GP	00			H	REVISED PER EC 0511-0016-04		27JAN04	JB	



- △ DIMENSIONS ARE MAXIMUM UNLESS OTHERWISE SPECIFIED.
- △ TERMINALS FOR 555167-2 LOCATED IN CENTER POSITIONS.
- △ MATERIAL: HOUSING - PBT POLYESTER, BLACK.  
TERMINAL - PHOS-BRONZE PLATED WITH 1.27µm [.000050] THICK HARD GOLD IN LOCALIZED GOLD PLATE AREA AND 2.03µm [.000080] THICK TIN LEAD IN SOLDER AREA OVER 1.27µm [.000050] THICK NICKEL UNDERPLATE.
- △ CAVITY CONFORMS TO FCC RULES AND REGULATIONS PART 68, SUBPART F.
- △ BULK PACKAGED IN A TRAY.
- △ PACKAGED 36 ASSEMBLIES PER TUBE WITH BOTH ENDS CRIMPED. SEE DETAIL A.



SUGGESTED PRINTED CIRCUIT BOARD  
MOUNTING HOLE LAYOUT  
LAYOUT SHOWN FROM CIRCUIT SIDE OF BOARD

SUPERSEDED BY 555167-1

	PACKAGED	TERMINALS	DIMENSION Z	PART NUMBER
△	8	2.80±0.25 [.110±.010]		555167-4
	8	3.81±0.51 [.15±.02]		555167-3
△	6	3.81±0.51 [.15±.02]		555167-2
	8	3.81±0.51 [.15±.02]		555167-1

DO NOT SCALE PRINT. UNLESS SPECIFIED DIMENSIONS IN mm [INCHES] TOLERANCES ON :	DR 11-16-93 B. SIMPSON	AMP Incorporated Harrisburg, PA 17105-3608
2 PLC DEC ± -	CHK 11-17-93 C. WHITT	
3 PLC DEC ± -	APPD 11-22-93 J. TONEY	
ANGLES ± -	APPD 11-22-93 H. MCGRATH	
MATERIAL	PRODUCT SPEC 108-1163	NAME MODULAR JACK ASSEMBLY 8 POSITION, LOW PROFILE, RIGHT ANGLE, KEYED, WITHOUT PANEL STOPS
FINISH	APPLICATION SPEC 114-2048	SIZE C
	WEIGHT -	CAGE CODE 00779
		DRAWING NO 555167
		SCALE 4:1
		SHEET 10F 1

THIS DRAWING IS A CONTROLLED DOCUMENT FOR AMP INCORPORATED. IT IS SUBJECT TO CHANGE AND THE CONTROLLING ENGINEERING ORGANIZATION SHOULD BE CONTACTED FOR THE LATEST REVISION.