

4

3

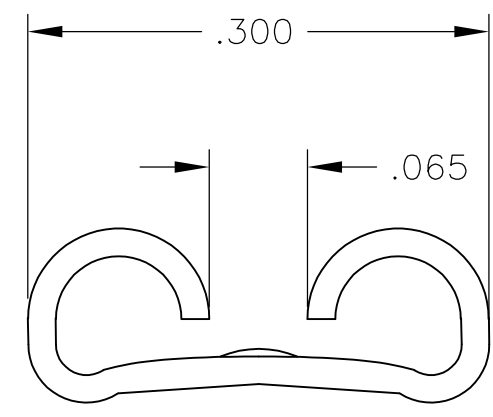
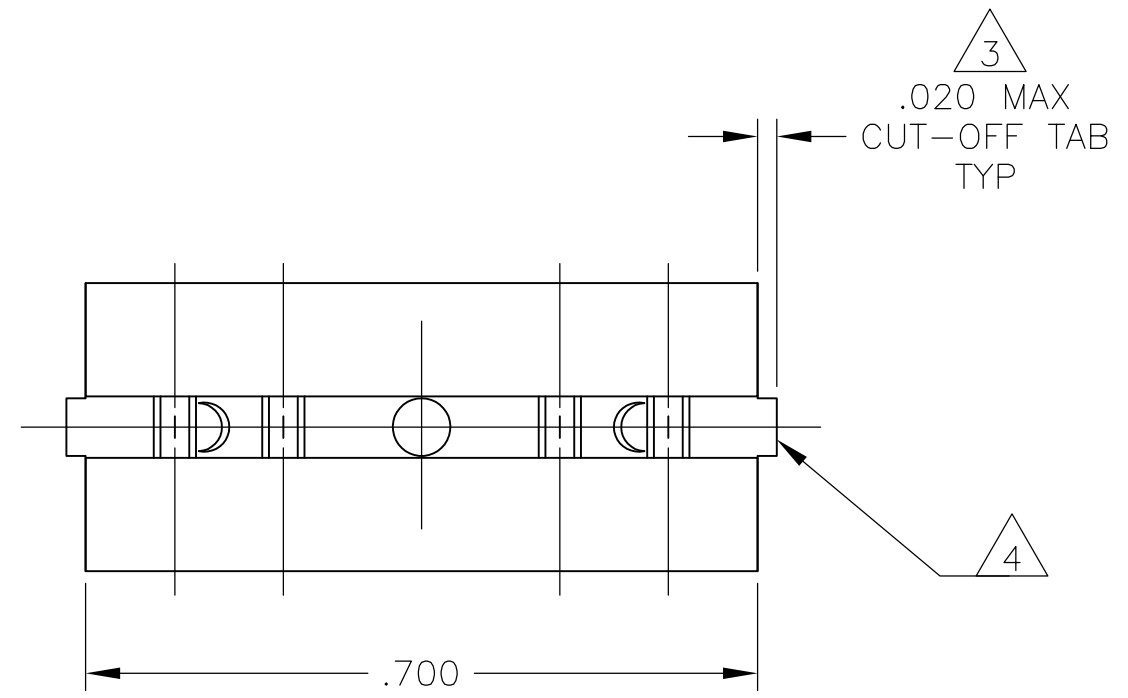
2

1

THIS DRAWING IS UNPUBLISHED. RELEASED FOR PUBLICATION
 © COPYRIGHT - By - ALL RIGHTS RESERVED.

LOC	DIST	REVISIONS			
P	LTR	DESCRIPTION	DATE	DWN	APVD
	K1	REVISED PER ECR-17-007890	05JUN17	BH	RP

- 1 SUPPLIED IN LOOSE PIECE.
- 2 MATING TAB THK IS $.032 \pm .001$
- 3 LOOSE PIECE AFTER PLATING
- 4 BARE EDGES ARE PERMITTED



VIEW X-X
SCALE 8:1



3 4	SILVER PLATE	61810-3
3 4	TIN	61810-2
	FINISH	PART NO.

THIS DRAWING IS A CONTROLLED DOCUMENT.		DWN	JR RUTH	7/16/92	TE Connectivity							
DIMENSIONS: INCHES		CHK	MS FEHER	7/16/92				NAME RECEPTACLE, FASTON, .250 SERIES				
		APVD	C MEYERS	7/16/92							PRODUCT SPEC APPLICATION SPEC RESTRICTED TO	
TOLERANCES UNLESS OTHERWISE SPECIFIED: 0 PLC ± - 1 PLC ± - 2 PLC ± - 3 PLC ± .005 4 PLC ± - ANGLES ± -		WEIGHT	A300779					DRAWING NO	C-61810			
MATERIAL	BRASS	FINISH	SEE TABLE	CUSTOMER DRAWING			SCALE	5:1	SHEET	1 OF 1	REV	K1