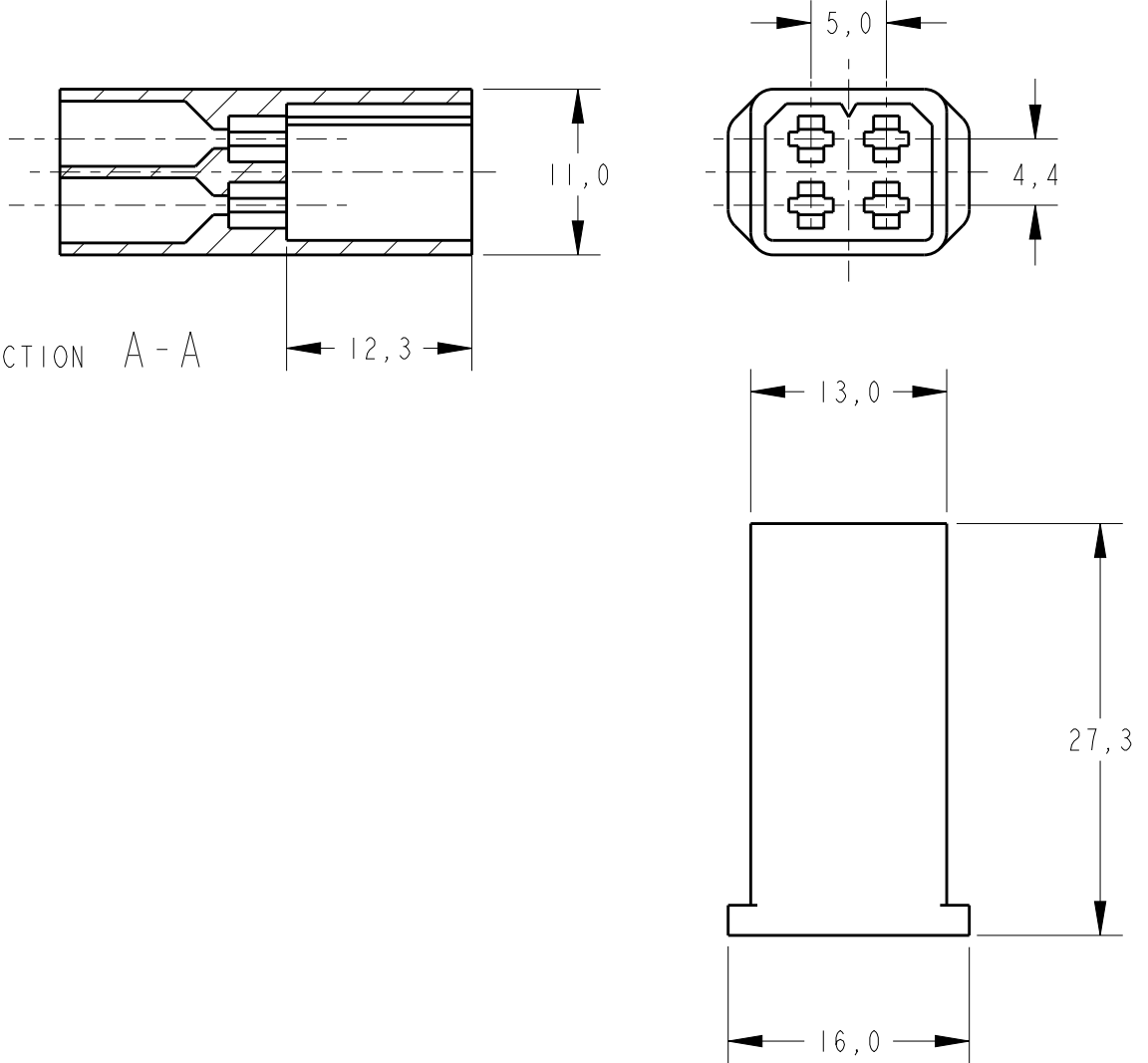


REVISIONS					
P	LTR	DESCRIPTION	DATE	DWN	APVD
	CI	REV. BY ECO 16-006309	03MAY2016	HC	WLS



SECTION A-A

OBSOLETE

SEE SHEET 2 OF 2		626057-2
BLACK	PA 6.6 ZYTEL	626057-1
NATURAL	PA 6.6	626057-0
FINISH	MATERIAL	PART NUMBER

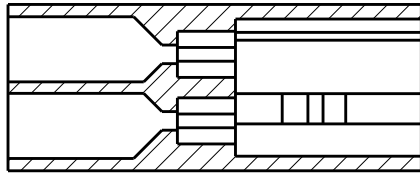
THIS DRAWING IS UNPUBLISHED.
 ALL RIGHTS RESERVED.
 © COPYRIGHT copyright_dBTe -

DIMENSIONS:	
mm	
TOLERANCES UNLESS OTHERWISE SPECIFIED:	
0 PLC	±-
1 PLC	±0,3
2 PLC	±-
3 PLC	±-
4 PLC	±-
ANGLES	±-

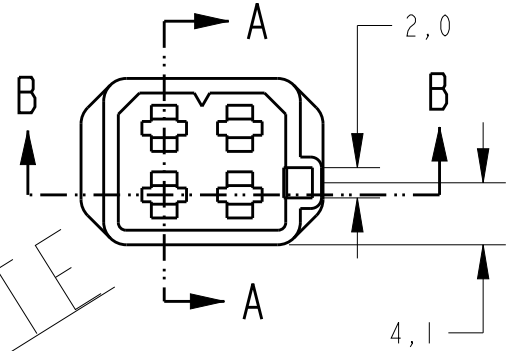
DWN	H.C. CANTERI	03-May-16
CHK	W.L. STEFANI	04MAY2016
APVD	-	-
PRODUCT SPEC	-	-
APPLICATION SPEC	-	-
WEIGHT	-	-
CUSTOMER DRAWING		

MATERIAL		FINISH	
-		-	
TE Connectivity			
NAME HOUSING, 4 POSN, .110 FAST-IN-ON TAB			
SIZE	CAGE CODE	DRAWING NO	RESTRICTED TO
A 4	-	C-626057	-
SCALE 2:1		SHEET 1 OF 2	REV CI

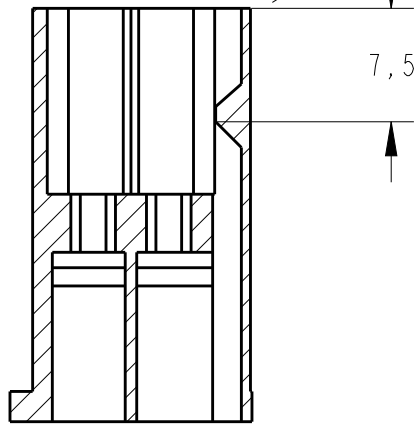
REVISIONS				
P	LTR	DESCRIPTION	DATE	APVD
		SEE PAGE 1 OF 2		



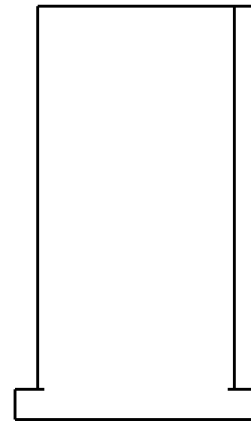
SECTION A-A



OBSOLETE



SECTION B-B



OBSOLETE

NATURAL	PA 6.6	626057-2
SEE PAGE 1 OF 2		626057-1
		626057-0
FINISH	MATERIAL	PART NUMBER

THIS DRAWING IS UNPUBLISHED.
 ALL RIGHTS RESERVED.
 © COPYRIGHT copyright - d8Te -

DIMENSIONS:	
mm	
TOLERANCES UNLESS OTHERWISE SPECIFIED:	
0 PLC	±-
1 PLC	±0,3
2 PLC	±-
3 PLC	±-
4 PLC	±-
ANGLES	±-

DWN	03-May-16
H.C. CANTERI	
CHK	04MAY2016
W.L. STEFANI	
APVD	-
PRODUCT SPEC	-
APPLICATION SPEC	-
WEIGHT	-
CUSTOMER DRAWING	

MATERIAL	-	FINISH	-				
TE Connectivity		NAME HOUSING, 4POSN, .110 FAST-IN-ON TAB					
		SIZE	A 4	CAGE CODE	-	DRAWING NO	©- 626057
SCALE		2:1	SHEET	2 OF 2	REV	C I	