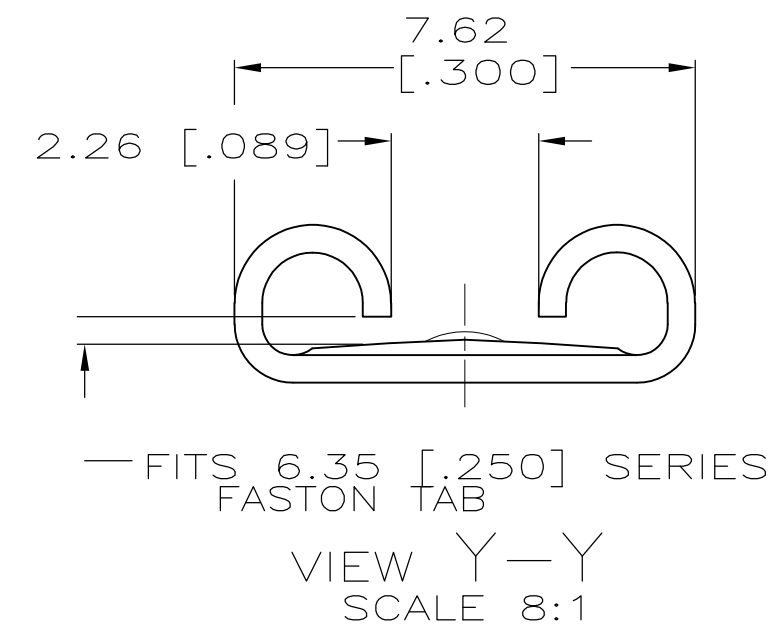
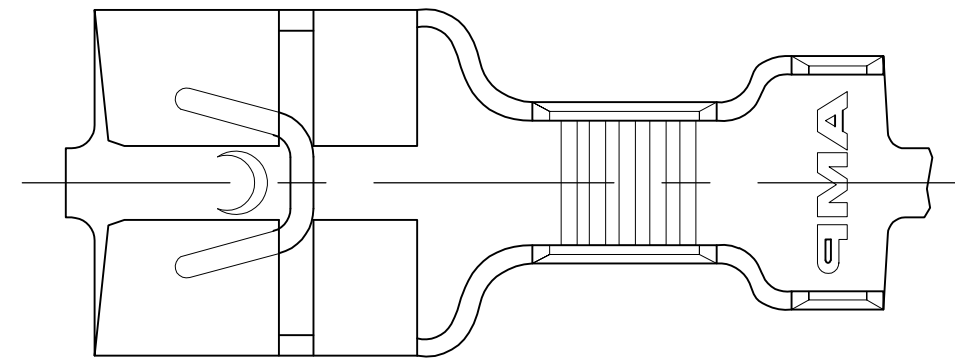
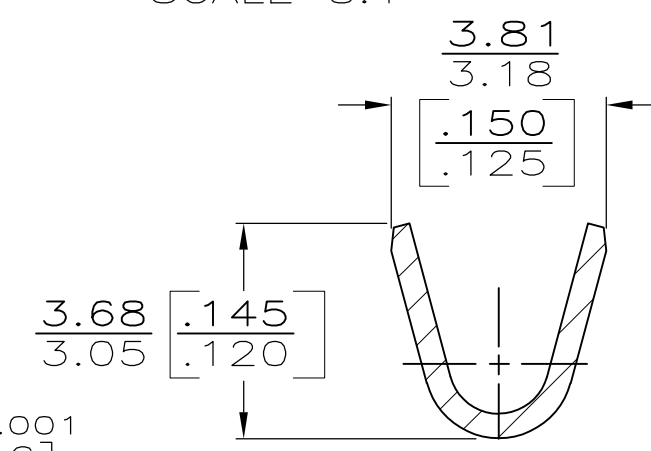
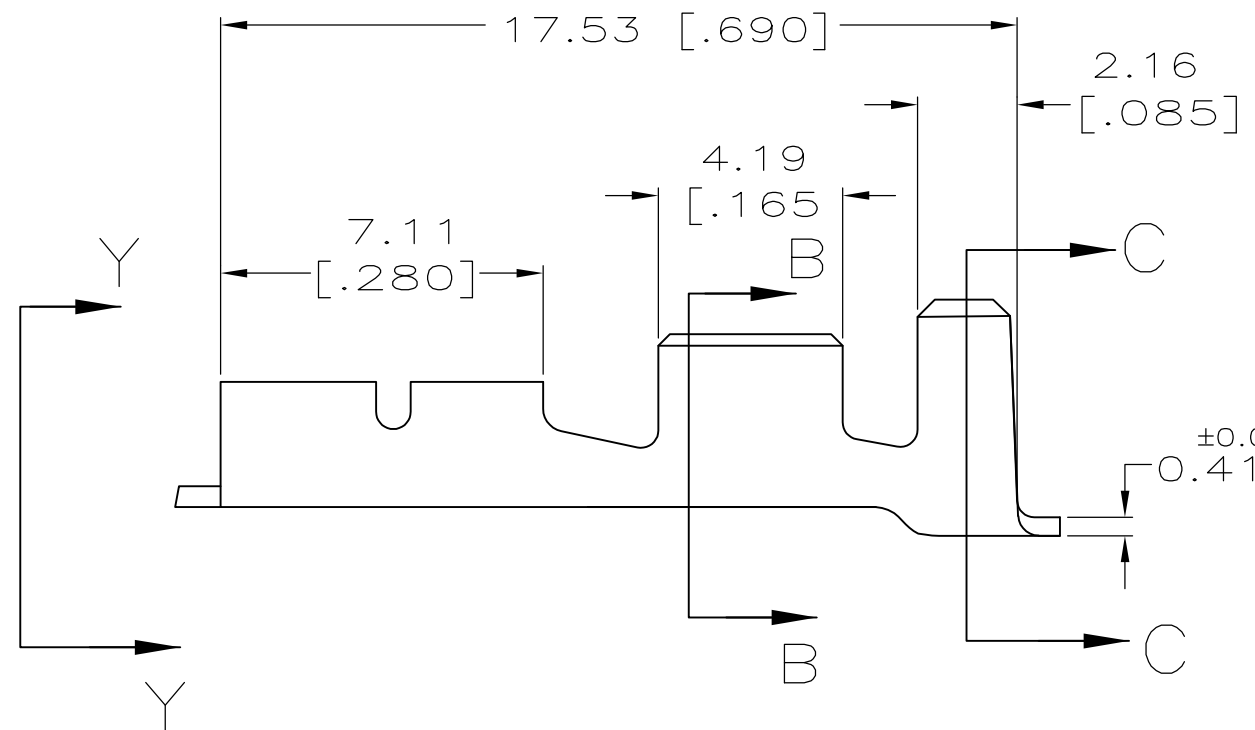


THIS DRAWING IS UNPUBLISHED. RELEASED FOR PUBLICATION  
 © COPYRIGHT - By TYCO ELECTRONICS CORPORATION. ALL RIGHTS RESERVED.

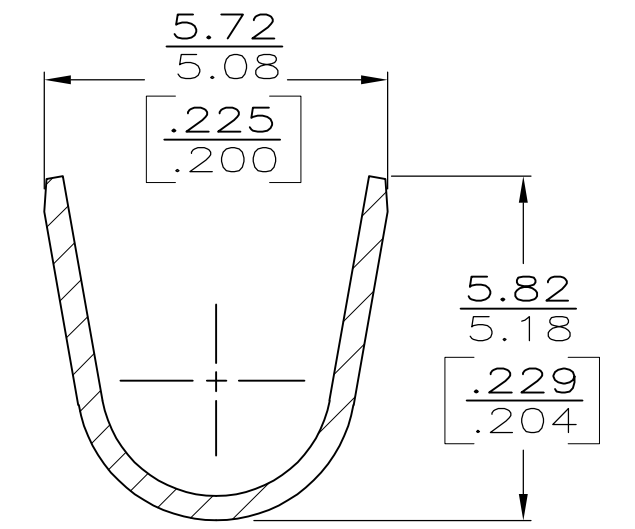
LOC	DIST	REVISIONS					
AF	50	P	LTR	DESCRIPTION	DATE	DWN	APVD
			C	REVISE PER ECR-13-013738	15FEB2014	GRZ	JL



1 CONTINUOUS STRIP ON REELS



SECTION B-B  
SCALE 8:1



SECTION C-C  
SCALE 8:1

3.05-4.32 [.120-.170] DIA	0.8-2.0mm <sup>2</sup> (2)0.6 [18-14 OR (2)#19]	0.51 [.020]	63622-1
INSUL RANGE	WIRE SIZE	MATING TAB THK ±0.025 ±[.001]	PART NUMBER

F	4.57 [.180]	F	3.05 [.120]	1.67 [.066]	2.0mm <sup>2</sup> [14]
				1.47 [.058]	1.3mm <sup>2</sup> [16]
				1.35 [.053]	0.8mm <sup>2</sup> [18]
				1.47 [.058]	(2) 19's
TYPE	WIDTH	TYPE	WIDTH	±0.051 ±[.002] HEIGHT	WIRE
INSUL BARREL CRIMP		WIRE BARREL CRIMP			

THIS DRAWING IS A CONTROLLED DOCUMENT.

DIMENSIONS: INCHES

TOLERANCES UNLESS OTHERWISE SPECIFIED:

0 PLC	± -
1 PLC	± -
2 PLC	± -
3 PLC	± 0.25 [.010]
4 PLC	± -
ANGLES	± -
FINISH	-

MATERIAL: BRASS

DWN: JR RUTH 8/23/91  
 CHK: MS FEHER 8/23/91  
 APVD: C MEYERS 8/23/91  
 R KUZO 8/23/91

PRODUCT SPEC: R KUZO 8/23/91

APPLICATION SPEC: -

WEIGHT: -

CUSTOMER DRAWING

**STE** TE Connectivity

RECEPTACLE, FASTON, L.I.F., AMPLIVAR, 6.35 [.250] SERIES

SIZE: A3 CAGE CODE: 00779 DRAWING NO: C-63622 RESTRICTED TO: -

SCALE: 6:1 SHEET: 1 OF 1 REV: C