



ANATECH ELECTRONICS INC
RF & Microwave Filters & Products

1750 MHz LC Band Pass Filter

Part Number: AE1750B5399



Electrical Specifications

Center Frequency: 1750 MHz
3dB Passband: 1400 MHz to 2100 MHz
Insertion Loss: 3.0dB Max.
Return Loss: 14dB Min.
Rejection1: 50dB Min. @ 900 MHz
Rejection2: 50dB Min. @ 3000 MHz
Impedance: 50 Ohms

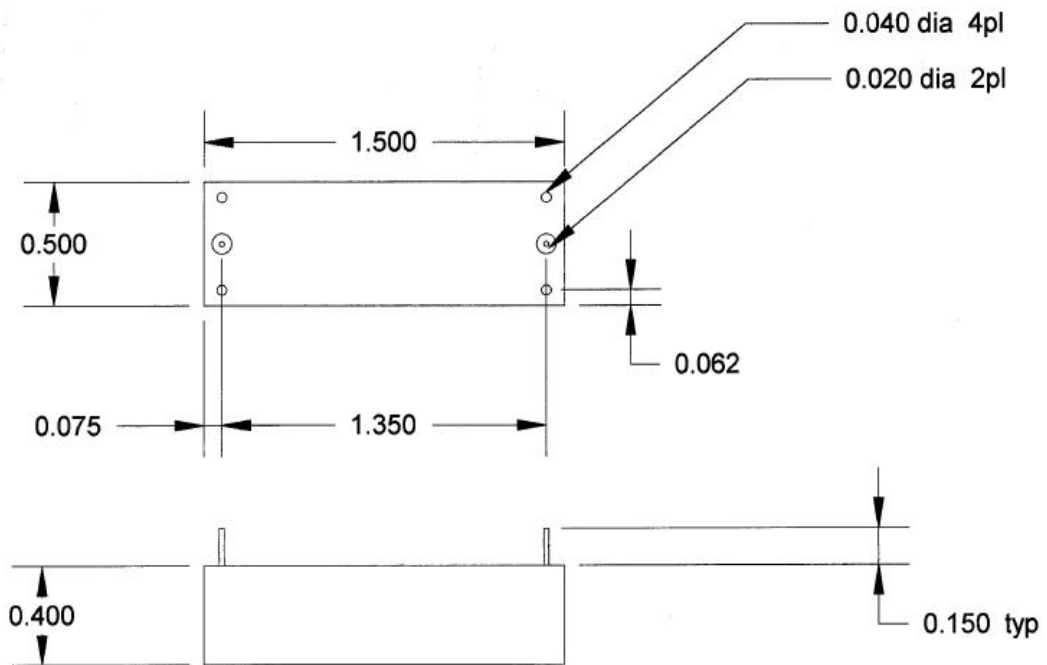
Mechanical

Connector Type: PC-Mount
Dimensions: 1.5" X 0.5" x 0.4" in.

Environmental

Operating Temperature: -25°C to +70°C
Storage Temperature: -40°C to +90°C
Shock: 10 G. 11ms
Vibration: 10 G. 5 to 200Hz

Outline Drawing:



2 decimal places: +/-0.01 inches [+/-0.3mm]
 3 decimal places: +/-0.005 inches [+/-0.13mm]
 Angles: +/-1 Deg.

When max dimensions are called out the above tolerances do not apply as long as it is under the max call out.

70 Outwater Lane Phone: (973) 772-4242
Garfield, NJ 07026 Fax : (973) 321-3941

Email: sales@anatechelectronics.com
Web: www.anatechelectronics.com



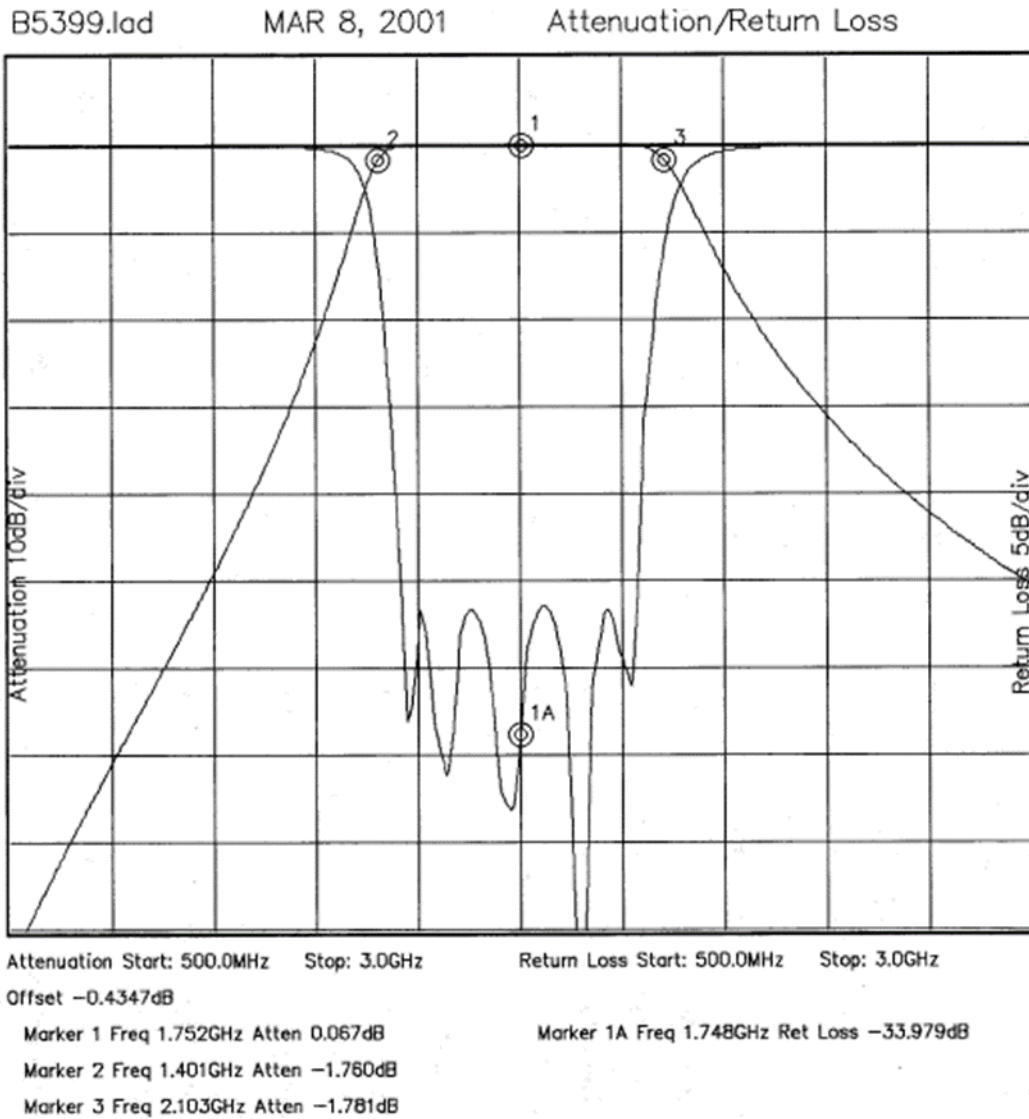
ANATECH ELECTRONICS INC
RF & Microwave Filters & Products

1750 MHz LC Band Pass Filter

Part Number: AE1750B5399



Simulation Plot:



Note: This is a simulation Plot. Actual response plot might differ once product is manufactured.