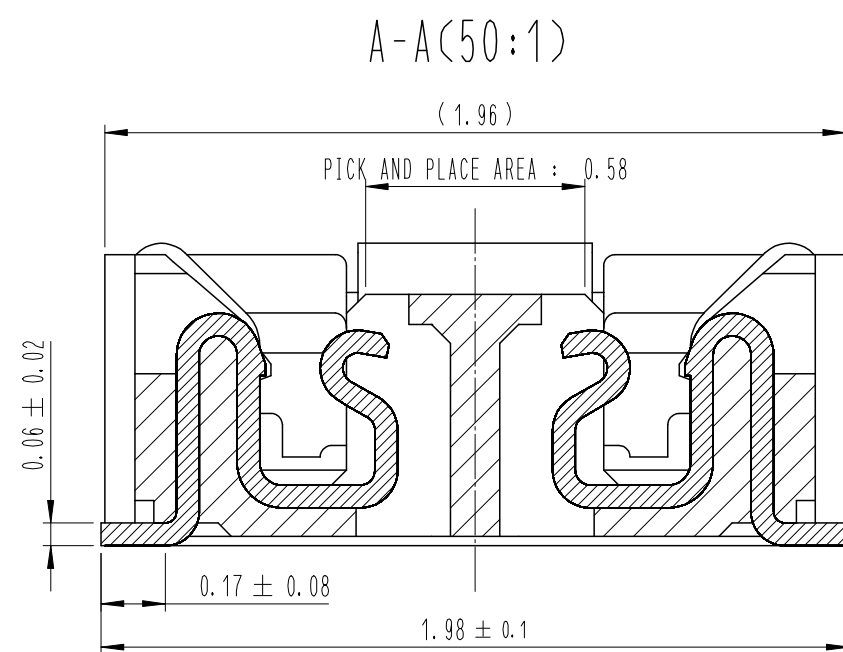
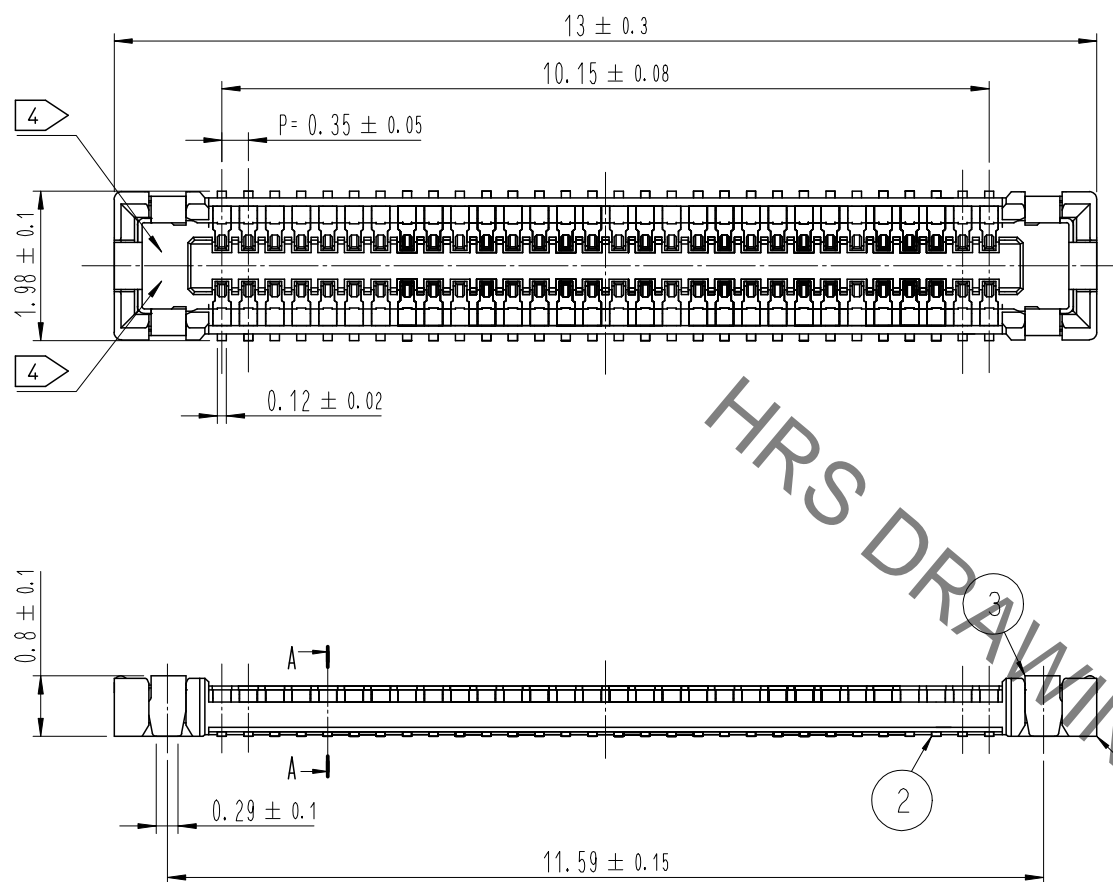
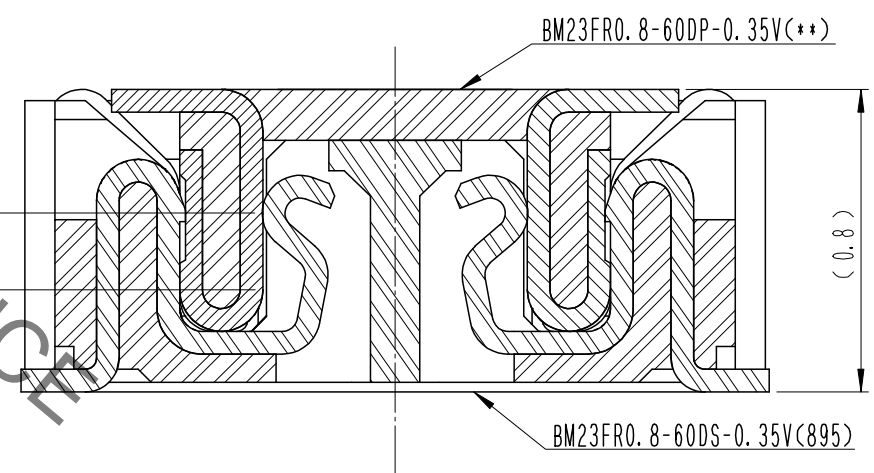


Aug.1.2019 Copyright 2019 HIROSE ELECTRIC CO., LTD. All Rights Reserved.
In case of consideration for using Automotive equipment / device which demand high reliability, kindly contact our sales window correspondents.



ENGAGEMENT FIGURE (50:1)



DRAWING FOR REFERENCE
This is subject to change without notice

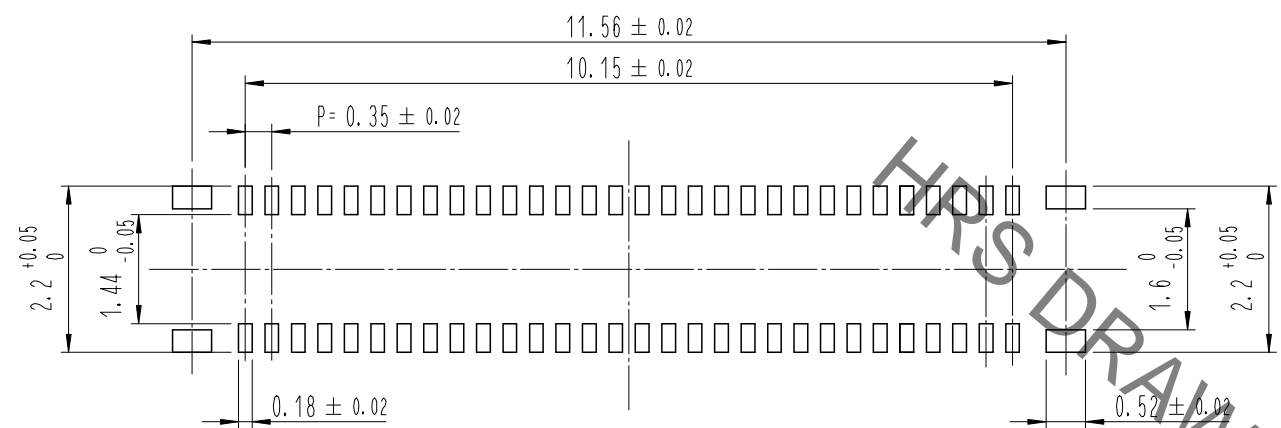
- NOTE
- 1. ALL LEAD CO-PLANARITY SHALL BE 0.08mm MAX.
 - 2. CONTACT PLATING SPECIFICATIONS.
CONTACT AREA : GOLD 0.05 μm MIN.
SMT LEAD : GOLD 0.05 μm MIN.
UNDERPLATING : NICKEL 1 μm MIN.
(SURFACE : SEALING)
 - 3. MATA L FITTING PLATING SPECIFICATIONS.
SMT LEAD : GOLD 0.05 μm MIN.
UNDERPLATING : NICKEL 1 μm MIN.
(SURFACE : SEALING)
 - 4. HRS MARK AND CAV NO. IS INDICATED IN APPROX POSITION SHOWN.

| COUNT | DESCRIPTION OF REVISIONS | B | Y | CHKD | DATE | COUNT | DESCRIPTION OF REVISIONS | B | Y | CHKD | DATE |
|-------|--------------------------|---|---|------|------|-------|--------------------------|---|---|------|------|
| △ | | | | | | △ | | | | | |
| △ | | | | | | △ | | | | | |
| △ | | | | | | △ | | | | | |

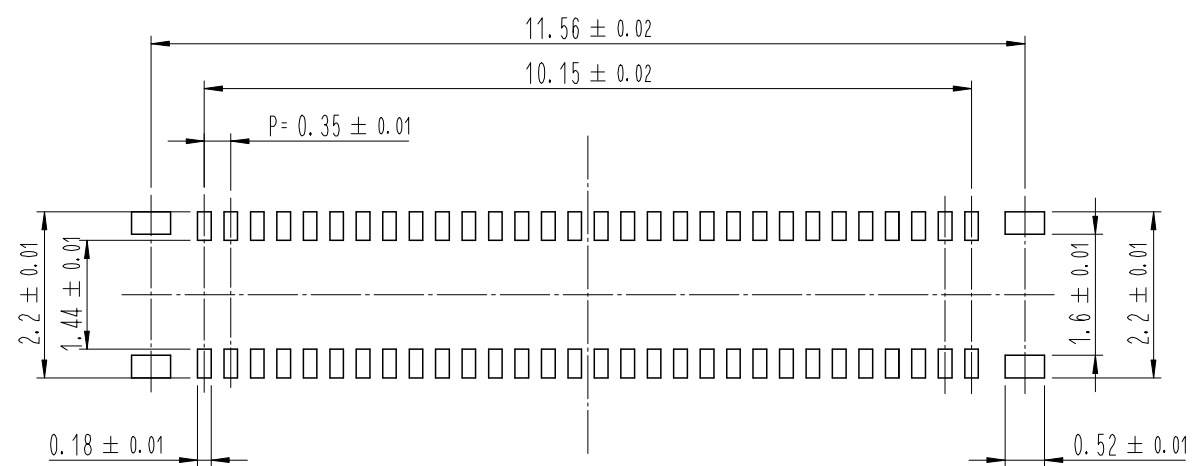
| 4 | PS | CLEAR (EMBOSSD CARRIER TAPE) | | | | | | | | |
|----------------|-------------------------|------------------------------|-----|-----------|------------------------------------|------------|------------|----------|------------|----------|
| 3 | COPPER ALLOY | 3 | | | | | | | | |
| 2 | COPPER ALLOY | 2 | 6 | PS | BLACK (PLASTIC REEL) | | | | | |
| 1 | LCP | UL94 V-0, BLACK | 5 | POLYESTER | CLEAR (COVER TAPE) | | | | | |
| NO. | MATERIAL | FINISH, REMARKS | NO. | MATERIAL | FINISH, REMARKS | | | | | |
| REMARKS | | | | | | DRAWN | DESIGNED | CHECKED | APPROVED | RELEASED |
| | | | | | | S. H. JUNG | S. H. JUNG | H. W. JO | T. S. KANG | 17.05.09 |
| | | | | | | 17.05.09 | 17.05.09 | 17.05.09 | 17.05.09 | |
| CODE NO. (OLD) | DRAWING NO. EDC3-632085 | | | | PART NO. BM23FR0.8-60DS-0.35V(895) | | | | | |
| | SCALE 10:1 | | | | CODE NO. CL 6644-0028-3-895 | | | | | |
| | UNITS mm | | | | HRS HIROSE KOREA CO., LTD. | | | | | |
| | | | | | | 1/3 | | | | |

Aug.1.2019 Copyright 2019 HIROSE ELECTRIC CO., LTD. All Rights Reserved.
 In case of consideration for using Automotive equipment / device which demand high reliability, kindly contact our sales window correspondents.

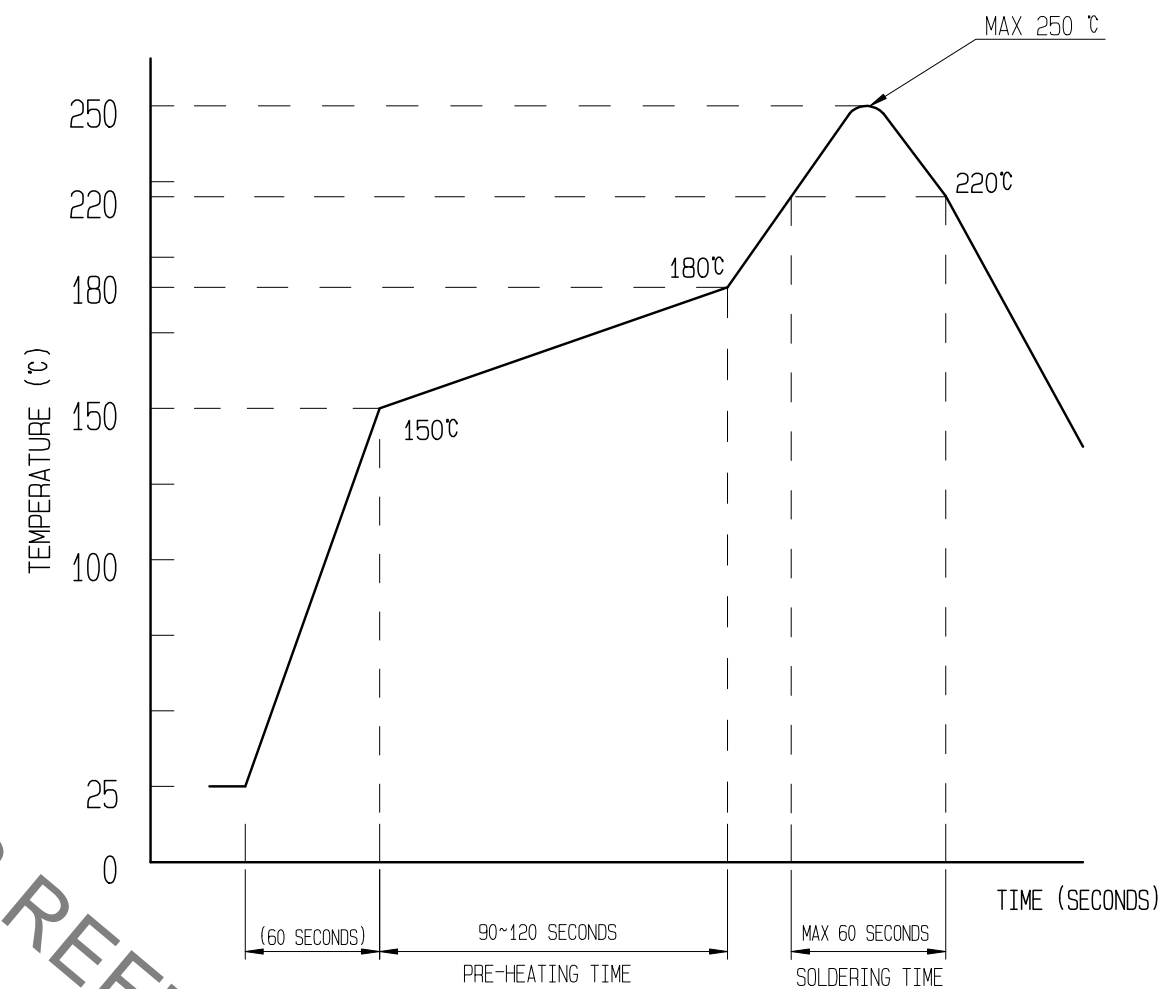
6 RECOMMENDED PCB LAYOUT



RECOMMENDED METAL MASK DIMENSIONS
 METAL MASK THICKNESS : 100 μm



5 RECOMMENDED REFLOW TEMPERATURE PROFILE USING LEAD-FREE SOLDER PASTE.



REFLOW METHOD: N2 REFLOW
 NUMBER OF REFLOW CYCLES: 2 CYCLES MAX.
 1) REFLOW TIME
 DURATION ABOVE 220°C, 60 SEC MAX.
 (PEAK TEMPERATURE: 250°C MAX)
 2) PRE-HEAT TIME
 PRE-HEAT TEMPERATURE(MIN): 150°C
 PRE-HEAT TEMPERATURE(MAX): 180°C
 PRE-HEAT TIME: 90-120 SEC.

- 5 THIS TEMPERATURE PROFILE IS PER THE CONDITIONS SHOWN ABOVE. ADDITIONAL FACTORS, SUCH AS SOLDER PASTE TYPE, PCB SIZE AND OTHER MOUNTED COMPONENTS COULD AFFECT THE PROFILE, THEREFORE, A THOROUGH EVALUATION OF MOUNTING CONDITION IS REQUIRED PRIOR TO PRODUCTION. TEMPERATURE IS MEASURED AT CONTACT LEAD.
- 6 PLEASE CONTACT US IN CASE YOU WILL MAKE DIFFERENT SETTINGS FROM OUR RECOMMENDATION.

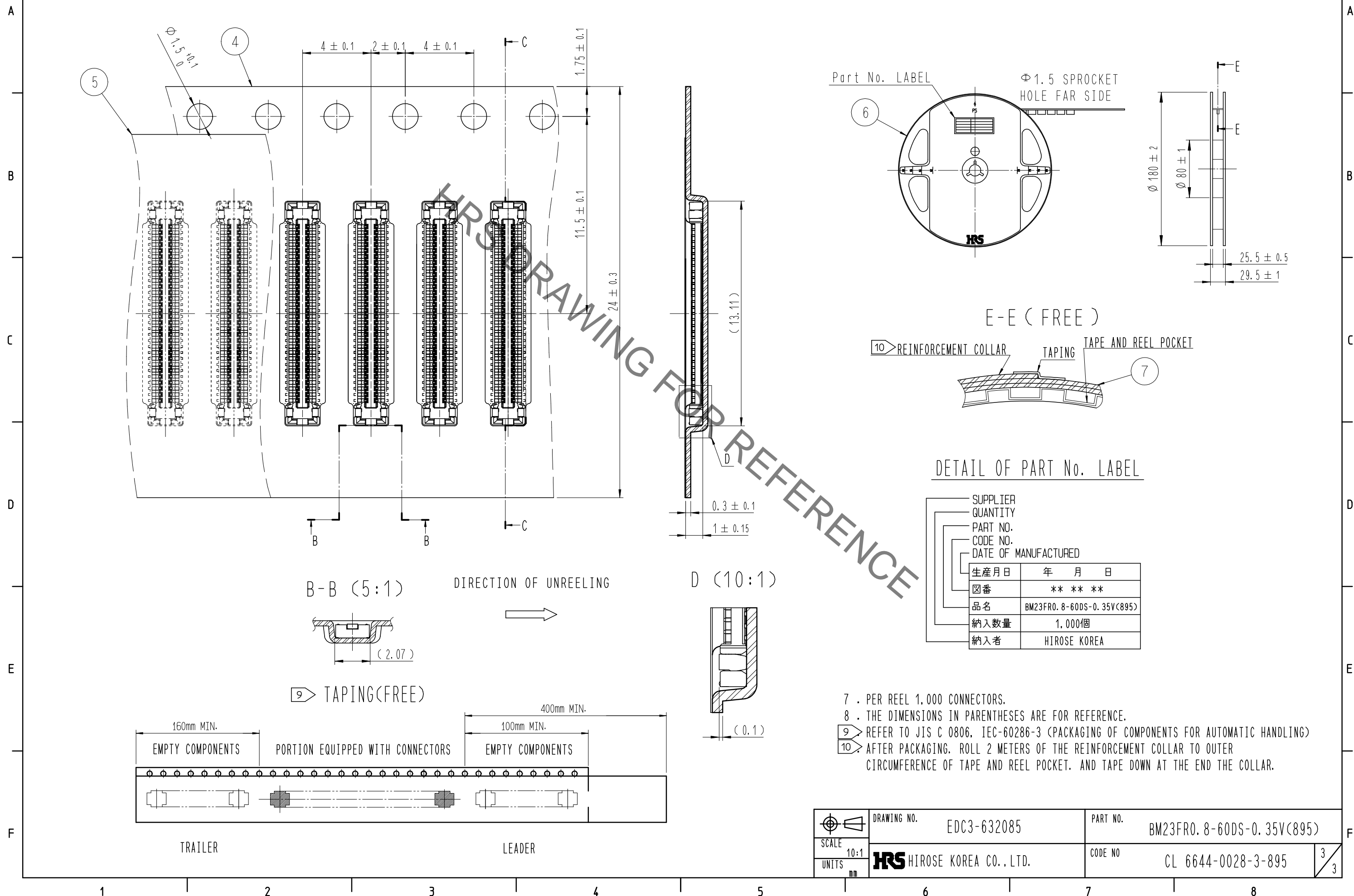
| | | | | |
|-------|----------------------------|-------------|----------|---------------------------|
| | DRAWING NO. | EDC3-632085 | PART NO. | BM23FR0.8-60DS-0.35V(895) |
| | SCALE | 10:1 | CODE NO | CL 6644-0028-3-895 |
| UNITS | HRS HIROSE KOREA CO., LTD. | | | 2/3 |

Aug.1.2019 Copyright 2019 HIROSE ELECTRIC CO., LTD. All Rights Reserved.
 In case of consideration for using Automotive equipment / device which demand high reliability, kindly contact our sales window correspondents.

EMBOSSED CARRIER TAPE PACKAGING (5:1)

C-C (5:1)

STYLE AND DIMENTION OF REEL (FREE)



| | | | | |
|-------------|-------------|----------------------------|---------------------------|----------|
| DRAWING NO. | EDC3-632085 | PART NO. | BM23FR0.8-60DS-0.35V(895) | |
| | SCALE | | 10:1 | CODE NO. |
| UNITS | mm | HRS HIROSE KOREA CO., LTD. | | 3/3 |