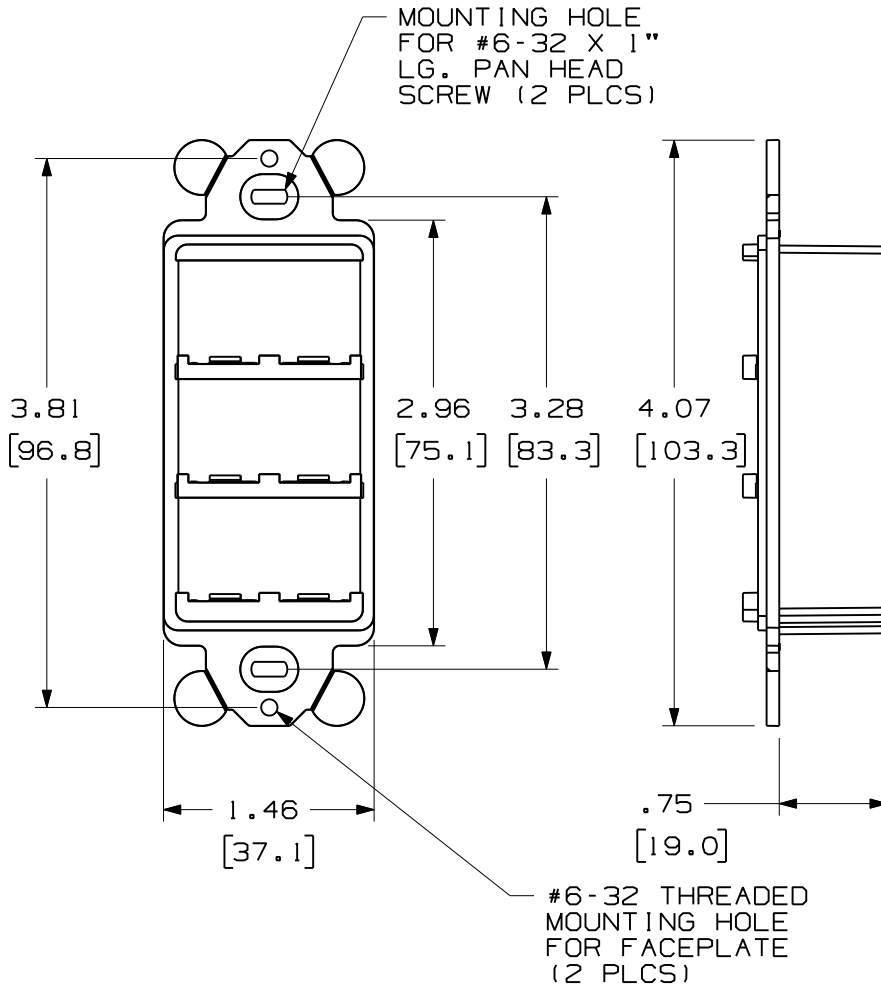


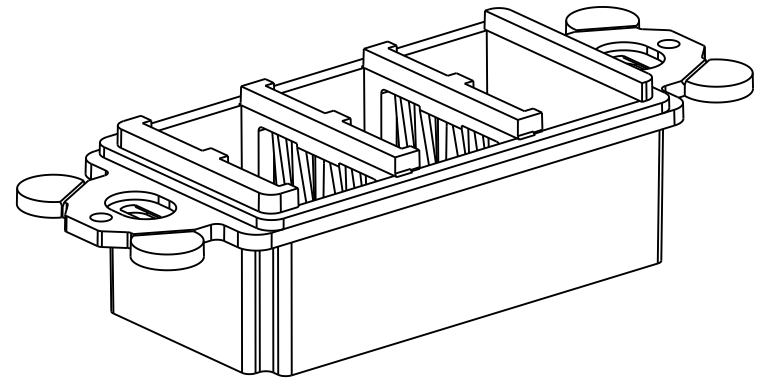
THIS COPY IS PROVIDED ON A RESTRICTED BASIS AND IS NOT TO BE USED IN ANY WAY DETRIMENTAL TO THE INTERESTS OF PANDUIT CORP.

PANDUIT P/N	WEIGHT
CFG6**	.41 LB/10 PCS [184.0 g/10 PCS]



NOTES:

1. SEE CURRENT CATALOG FOR ADDITIONAL PART NUMBER SUFFIXES TO INDICATE COLOR AND/OR PACKAGE QUANTITY.
2. SEE CATALOG FOR COMPLETE LIST OF PARTS APPLICABLE FOR USE WITH THIS PART.
3. DIMENSIONS IN PARENTHESES ARE IN METRIC.
4. (2) #6-32 X 1" PAN HEAD SCREWS ARE SUPPLIED



PART NUMBER	CFG6**	PRODUCT SPEC/PKG SPEC	N/A					
I.T. NUMBER	N/A	WORK INSTRUCTION	N/A					
TITLE								
MINI-COM "GFCI" MODULE FRAME SIX POSITION								
CUSTOMER DRAWING								
ITEM REVISION NAME	M00021DJ/06.PRT							
DATASET FILE NAME	M00021DJ_DC07/06B.PRT							
UNLESS OTHERWISE SPECIFIED, DIMENSIONAL TOLERANCES ARE: IN [mm]			MATERIAL:					
.x : .1 [2.54] .xxx : .005 [.127]			DRAWING NUMBER: 00021-07					
.xx : .01 [.25] ANGLES : 5 °								
			THIRD ANGLE PROJECTION					
DRAWN BY	DATE	CHK	SCALE					
BJN	8-26-11	JSP	NONE					
REV	DATE	BY	CHK	APR	DESCRIPTION	ECN	SHT 1 OF 1	SIZE
2	11-6-12	BJN	JSP	JSP	B. UPDATED DRAWING FORMAT TO REFLECT NEW LOGO	00021-07		A
1	11-1-11	BJN	JSP	JSP	A. UPDATED MODEL TO REV 06	00021-07		
R	8-26-11	BJN	JSP	JSP	RELEASED TO PRODUCTION	00021-07		