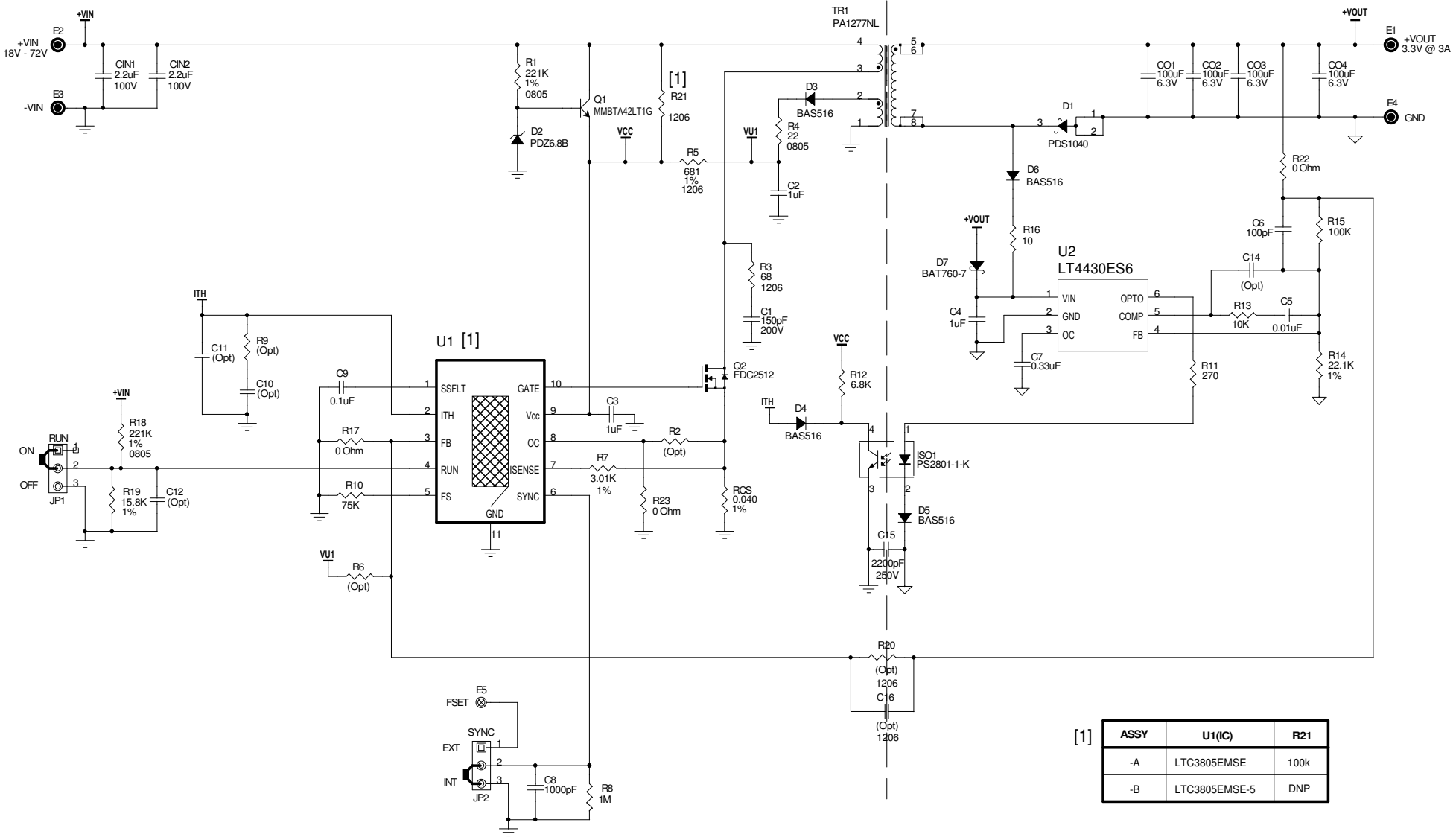


REVISION HISTORY				
ECO	REV	DESCRIPTION	DATE	APPROVED
-	0	1st PROTOTYPE	<DATE>	<APPROVED>



[1]

ASSY	U1(IC)	R21
-A	LTC3805EMSE	100k
-B	LTC3805EMSE-5	DNP

This circuit is proprietary to Linear Technology and supplied for use with Linear Technology parts.
Customer Notice: Linear Technology has made a best effort to design a circuit that meets customer-supplied specifications; however, it remains the customers responsibility to verify proper and reliable operation in the actual application. Component substitution and printed circuit board layout may significantly affect circuit performance or reliability. Contact Linear Applications Engineering for assistance.

APPROVALS		LINEAR TECHNOLOGY CORPORATION	
DRAWN: Rudy Bautista		1630 McCARTHY BLVD MILPITAS, CA, 95035 (408)432-1900 (408)434-0507 (FAX)	
ENGINEER: Victor Khasiev		www.linear.com LTC Confidential - For Customer Use Only	
APPROVED:		Title 18V - 72Vin to 3.3Vout @3A Isolated DC/DC Converter	
CHECKED:		SD Document Number Demo Circuit 1311A	
Date: Wednesday, April 16, 2008			Rev 2