



# 120x120x38mm

- Airflow: 155.8~275.6 CFM
- Static Pressure: 19.3~60.0 mm-H<sub>2</sub>O
- Blade / Housing: Plastic Material UL 94V-0 P.B.T.
- Lead Wire: UL1007 #22 AWG
- Weight: 425 g

Model No.	Bearing	Rated Voltage VDC	Operating Voltage Range VDC	Speed RPM	Max. Airflow CFM	Max. Static Pressure mm-H <sub>2</sub> O	Current mA	Power Consumption W	Life at 40°C L10 Hour	P-Q Curve	Noise Level dB(A)
EYW12038012BL	2B	12	7~13.2	4000	155.8	19.3	1300	15.60	80000	4	54.0
EYW12038012BM	2B		7~13.2	5000	194.0	29.2	2200	26.40	75000	3	60.4
EYW12038012BH	2B		7~13.2	6000	233.6	49.9	4000	48.00	65000	2	64.9
EYW12038024BL	2B	24	15~30.0	4000	155.8	19.3	750	18.00	80000	4	54.0
EYW12038024BM	2B		15~30.0	5000	194.0	29.2	1200	28.80	75000	3	60.4
EYW12038024BH	2B		15~30.0	6000	238.8	41.5	1700	40.80	65000	2	64.9
EYW12038024BS	2B	15~30.0	7000	275.6	60.0	2900	69.60	65000	1	69.2	
EYW12038048BL	2B	48	35~60.0	4000	155.8	19.3	400	19.20	80000	4	54.0
EYW12038048BM	2B		35~60.0	5000	194.0	29.2	550	26.40	75000	3	60.4
EYW12038048BH	2B		35~60.0	6000	238.8	41.5	900	43.20	65000	2	64.9
EYW12038048BS	2B	35~60.0	7000	275.6	60.0	1400	67.20	65000	1	69.2	

2B: 2-ball bearing L: sintetico bearing S: sleeve bearing

**Voltage Available**

05 12 24 48

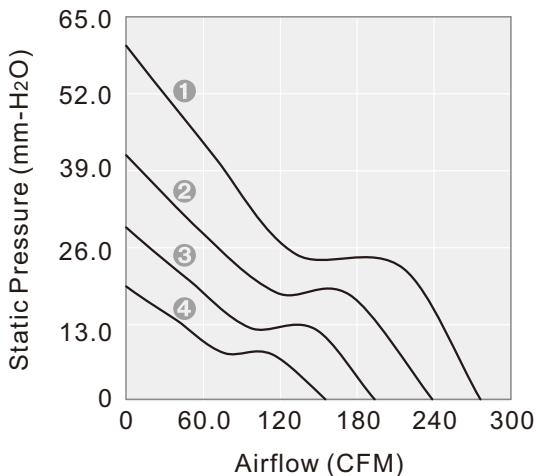
**Bearing System Available**

2B L S

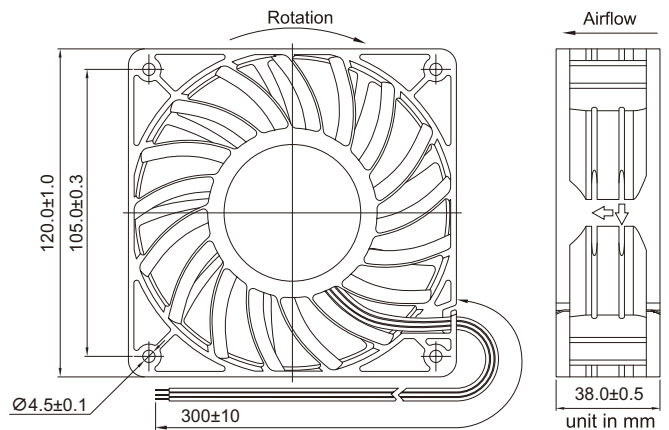
**Function Available**

N A I F R Q S T M V C P D W U

**PERFORMANCE P-Q CURVE**



**OUTLINE DIMENSIONS**



Please refer to *Model Numbering System* for bearing, function and speed level indication. Specifications are subject to changes without notice. Please refer to the formally issued product specification via contacting Y.S. TECH sales department. Visit Y.S. TECH web site at <http://www.ystech.com.tw> for updated information. Customized Specifications are designed accordingly