

### Overview

FAH PCB and Chassis Mount Suppression Filters are compact and feature high performance and low leakage. These EMI filters include faston terminals and low-cost encapsulation. The filters are designed with multiple combinations of enclosure sizes, current ratings, and termination styles, offering the utmost in flexibility and economy.

### Applications

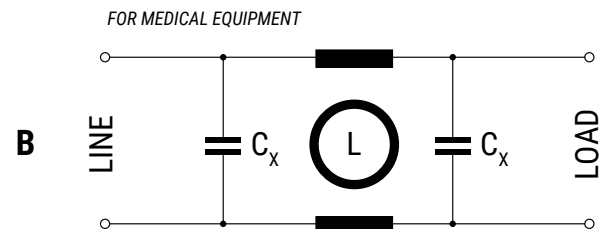
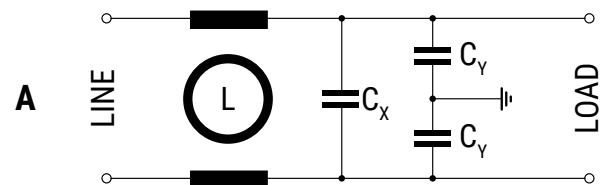
Typical applications include industrial measuring equipment, consumer electronics, low power SMPS, and other business and medical equipment.



### Technical Specifications

Item	Parameters/Characteristics
Rated Voltage	250 VAC
Rated Frequency	50 – 60 Hz
Rated Current	0.5 – 6.5 A
Rated Temperature	40°C
Temperature Range	-25°C to +85°C
Climate Category	25/085/21
Voltage Test	P → P 1,700 VDC P → E 3,000 VDC

### Typical Electrical Schematic



## Technical Specifications cont.

Part Number	$I_R$ (A)	L (mH)	$C_x$ ( $\mu$ F)	$C_y$ (nF)	$I_L$ (mA)	Circuit Diagram (Above)
FAH(*)3100ZA	0.5	2 x 40	0.1	2.5	0.26	A
FAH(*)3100ZB	1	2 x 10	0.1	2.5	0.26	A
FAH(*)3100ZC	1.6	2 x 6	0.1	2.5	0.26	A
FAH(*)3100ZD	2.5	2 x 2	0.1	2.5	0.26	A
FAH(*)3100ZE	4	2 x 1	0.1	2.5	0.26	A
FAH(*)3100ZF	6.5	2 x 1	0.1	2.5	0.26	A
FAH(*)3200ZA	0.5	2 x 40	0.1	-	-	B
FAH(*)3200ZB	1	2 x 10	0.1	-	-	B
FAH(*)3200ZC	1.6	2 x 6	0.1	-	-	B
FAH(*)3200ZD	2.5	2 x 2	0.1	-	-	B
FAH(*)3200ZE	4	2 x 1	0.1	-	-	B
FAH(*)3200ZF	6.5	2 x 1	0.1	-	-	B

(\*) To complete the KEMET part number, insert "AV" for PCB mounting or "DA" for chassis mount and faston terminals.

## Approvals

The FAH is designed according to IEC/EN/UL 60939 and UL 1283.

Standard	Certification Body
IEC/EN 60939-2	VDE
CSA C22.2 No. 8	CSA

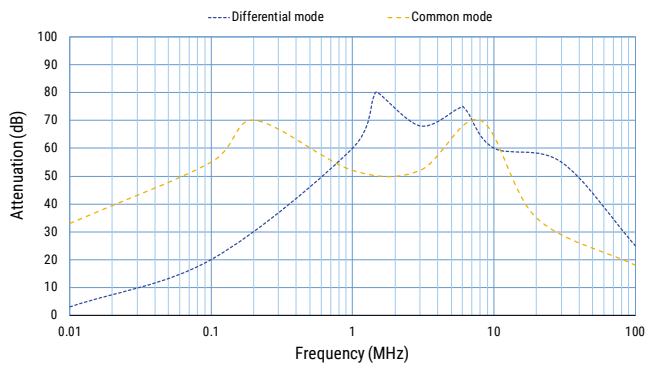
## Environmental Compliance

KEMET EMI filters are RoHS Compliant.

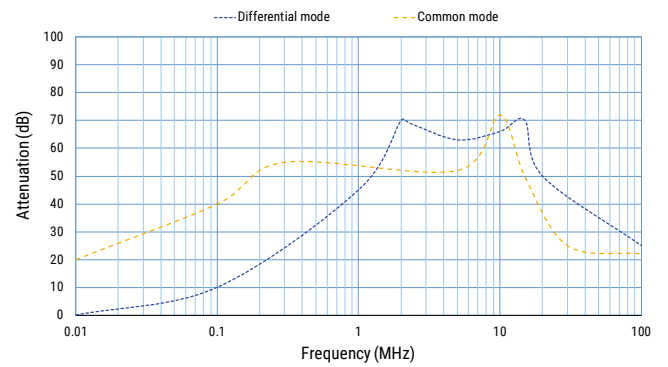


## Typical Insertion Loss

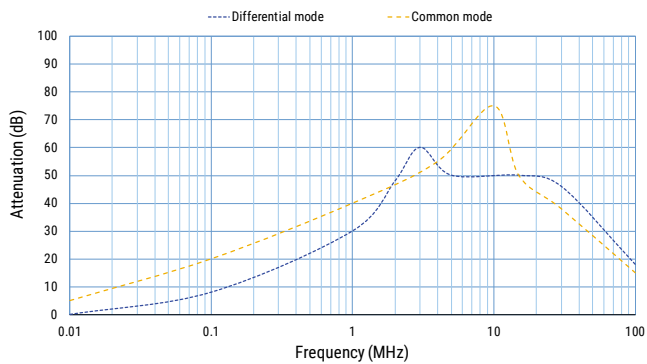
0.5 A



1 and 1.6 A

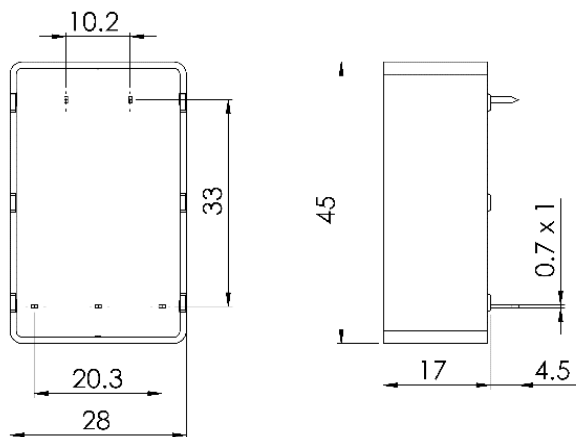


2.5, 4, and 6.5 A

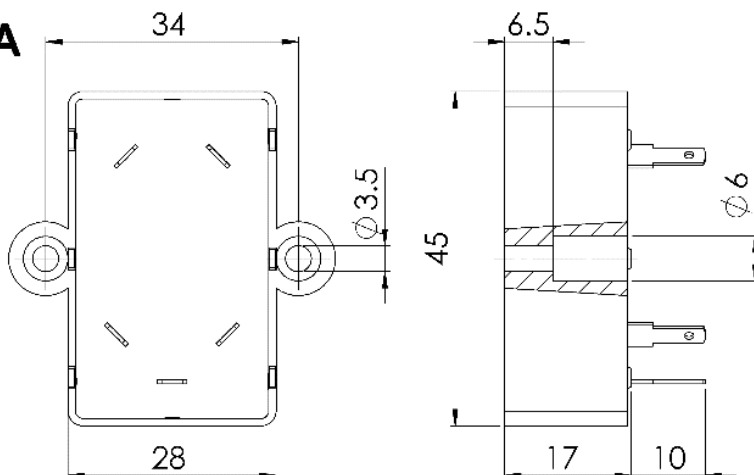


## Mechanical Dimensions – Millimeters

**FAHAV**



**FAHDA**



- Self-extinguishing plastic case
- Sealed with self-extinguishing resin
- Pin connection for PCB 0.7 x 1 x 4.5 mm (FAHAV)
- Faston 2.8 x 0.5 mm terminals (FAHDA)

Tolerances, if not stated, according to ISO 2768-c.

## KEMET Electronics Corporation Sales Offices

For a complete list of our global sales offices, please visit [www.kemet.com/sales](http://www.kemet.com/sales).

---

### Disclaimer

All product specifications, statements, information and data (collectively, the "Information") in this datasheet are subject to change. The customer is responsible for checking and verifying the extent to which the Information contained in this publication is applicable to an order at the time the order is placed. All Information given herein is believed to be accurate and reliable, but it is presented without guarantee, warranty, or responsibility of any kind, expressed or implied.

Statements of suitability for certain applications are based on KEMET Electronics Corporation's ("KEMET") knowledge of typical operating conditions for such applications, but are not intended to constitute – and KEMET specifically disclaims – any warranty concerning suitability for a specific customer application or use. The Information is intended for use only by customers who have the requisite experience and capability to determine the correct products for their application. Any technical advice inferred from this Information or otherwise provided by KEMET with reference to the use of KEMET's products is given gratis, and KEMET assumes no obligation or liability for the advice given or results obtained.

Although KEMET designs and manufactures its products to the most stringent quality and safety standards, given the current state of the art, isolated component failures may still occur. Accordingly, customer applications which require a high degree of reliability or safety should employ suitable designs or other safeguards (such as installation of protective circuitry or redundancies) in order to ensure that the failure of an electrical component does not result in a risk of personal injury or property damage.

Although all product-related warnings, cautions and notes must be observed, the customer should not assume that all safety measures are indicated or that other measures may not be required.

*KEMET is a registered trademark of KEMET Electronics Corporation.*