



PRODUCT DATASHEET

Ronda series

last update 21/7/2016

DETAILS

| | |
|------------------------|-------------------|
| Product Number | FCN15302_RONDA-WW |
| Family | Ronda |
| Type | Assembly |
| Color | white |
| Diameter | 69,9 mm |
| Height | 19,8 mm |
| Style | round |
| Optic Material | PMMA |
| Holder Material | PC |
| Fastening | socket, screw |
| Status | production ready |
| ROHS Comliant | Yes |
| Date Updated | 21/07/2016 |



OPTICAL PROPERTIES

| LED | Viewing | Light | Effi- | | Connector |
|------------------------------------|---------|-----------|-----------|------------|--------------|
| | Angle | Beam | ciency | cd/lm | |
| V10 | sim: 60 | Very Wide | sim: 88 % | sim: 0.000 | LEDiL: LEDiL |
| CXA/B 15xx | sim: 62 | Very Wide | sim: 89 % | sim: 0.000 | LEDiL: LEDiL |
| CXA/B 1816 & CXA/B 1820 & CXA 1850 | sim: 63 | Very Wide | sim: 89 % | sim: 0.000 | LEDiL: LEDiL |
| CXA/B 1830 | sim: 62 | Very Wide | sim: 87 % | sim: 0.000 | LEDiL: LEDiL |
| Soleriq S13 | sim: 63 | Very Wide | sim: 84 % | sim: 0.000 | LEDiL: LEDiL |

H G F E D C B A

4

4

3

3

2

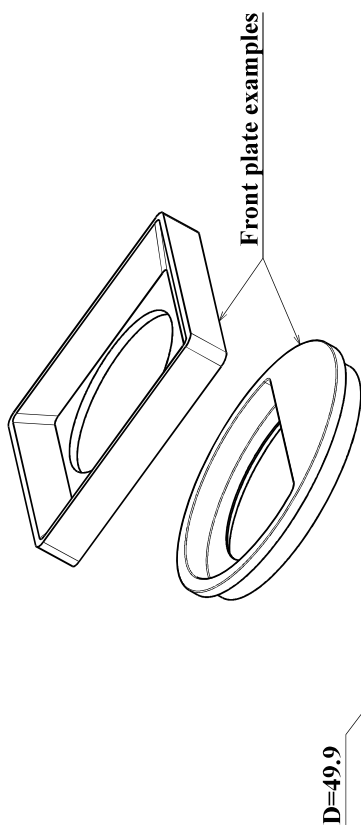
2

1

1



LES size up to ~14mm, see compatibility www.ledil.com

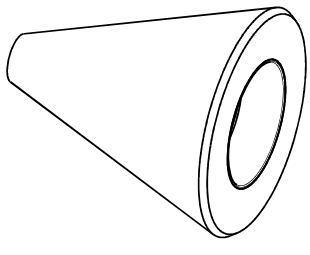


Front plate examples

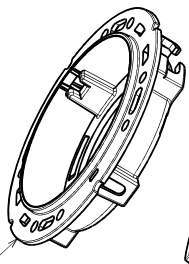
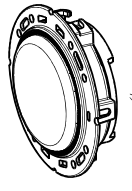
D=49.9

D=69.9mm

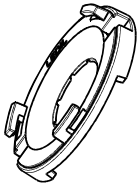
Optic



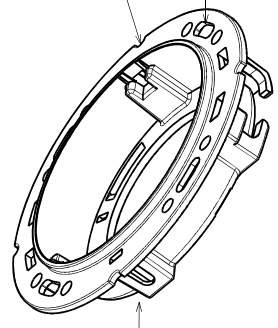
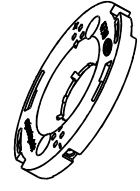
Examples



Ledil-clamp / TE / Bender-wirth / other twist and lock socket types (holder A)



BJB and Stucchi 50mm (holder B)



Horizontal fix: M3 Nut + bolt

Rotation fix

Vertical fix: M3 Screw / Twist and lock / Snap

Tolerances if not otherwise shown

According to DIN ISO 2768-1
 up to 30mm class M, otherwise class C
 According to DIN ISO 2768-2
 Form and position: class L



LEDIL Oy
 Salorankatu 10
 FIN 24240 SALO
 Finland

THIRD ANGLE PROJECTION:



This drawing is the property of LEDIL Oy. It may not be reproduced, copied or communicated without a written agreement with LEDIL Oy.

DRAWING TITLE

RONDA-family

SIZE PART NUMBER

A3

SCALE 1:1 WEIGHT

-

SHEET 1/3

See more details on page 2 and 3

H

G

F

E

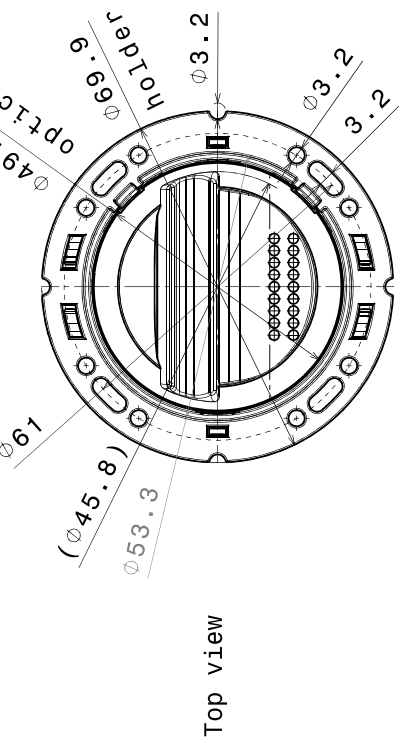
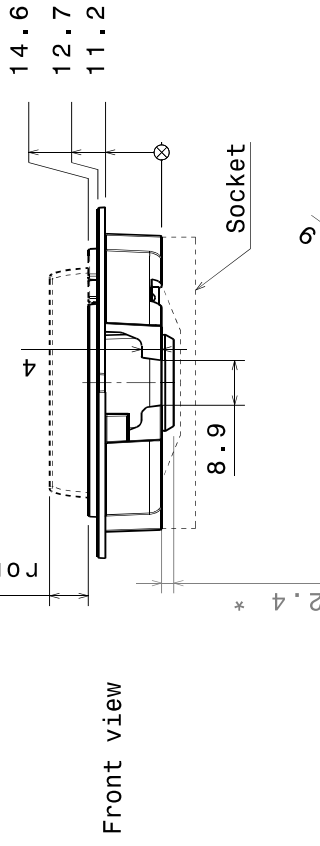
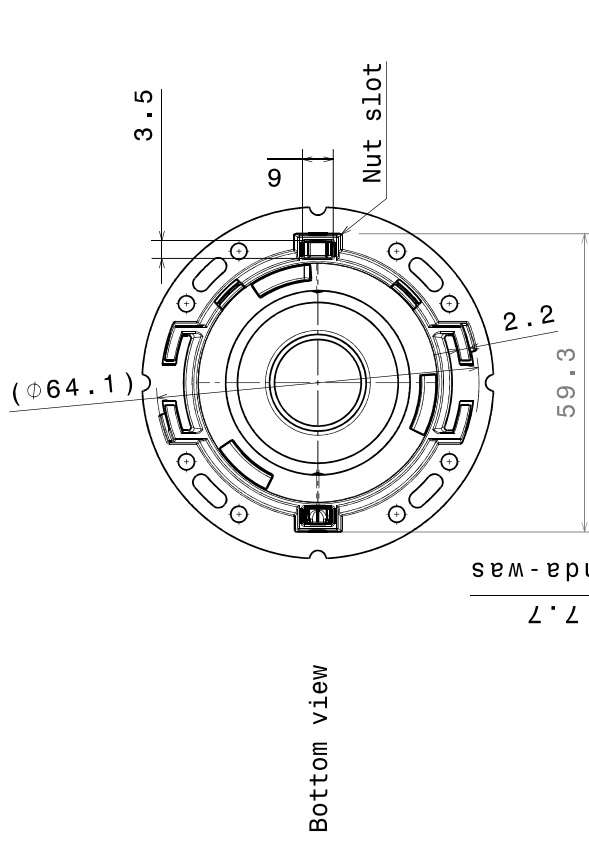
D

C

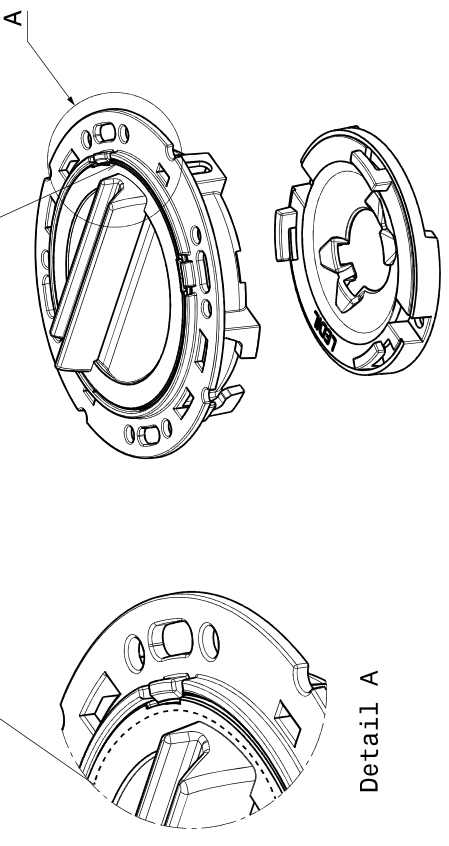
B

A

H G F E D C B A



Front panel location suggestion when seamless look needed



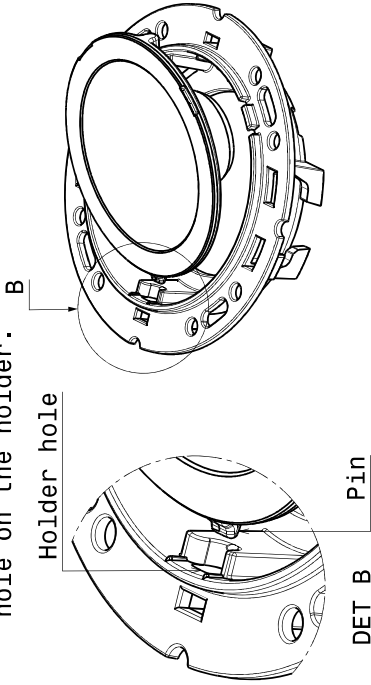
* Ensure from 3d according specific optic version

| | | | |
|---|---------------------|--|--------------------------|
| <p>Tolerances if not otherwise shown According to DIN ISO 2768-1 Form and position: class M, otherwise class C According to DIN ISO 2768-2 Form and position: class L</p> | | <p>LEDIL Ledil Oy Salorankatu 10 FIN-24240 SALO Finland</p> | |
| <p>THIRD ANGLE PROJECTION:</p> | | <p>DRAWING TITLE RONDA-family</p> | |
| <p>This drawing is the property of LEDIL Oy. It may not be reproduced, copied or communicated without a written agreement with LEDIL Oy.</p> | | <p>SIZE A3</p> | <p>PART NUMBER -</p> |
| <p>SCALE 1:1</p> | <p>WEIGHT -</p> | <p>SHEET 2/3</p> | <p>A</p> |

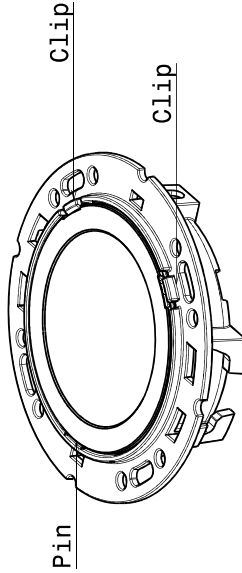
4 3 2 1

OPTIC/HOLDER ASSEMBLY

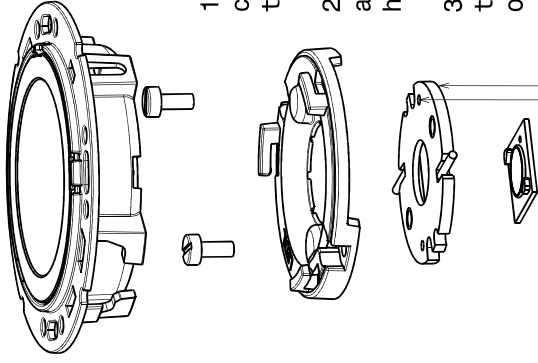
1. Place pin on the side of the lens into relative hole on the holder.



2. Press the lens under clips on the holder, ensuring both clips are fixed.



TYPICAL CONNECTOR ASSEMBLY (including solderless BENDER WIRTH as example)



1. Ensure correct relation of clamp and connector before screwing. Recommended torque 0.6Nm.
2. Assemble LED, BENDER&WIRTH connector and C13658_CLAMP-VERO13-18 clamp on heatsink with M3 screw.
3. Attach optic by aligning the holes in the holder with hooks and turning the optic holder clockwise until it locks.

Bender&Wirth model 4xx Typ L1

Align clamp positioning pin with holes in the connector.

| | | |
|---|--------------------------------------|---|
| Tolerances if not otherwise shown According to DIN ISO 2768-1 M: maximum class, M: otherwise class C up to 30mm According to DIN ISO 2768-2 Form and position: class L | LEDIL | Ledil Oy Salorankatu 10 FIN 24240 SALO Finland |
| THIRD ANGLE PROJECTION: | DRAWING TITLE RONDA-family | |
| This drawing is the property of LEDIL Oy. It may not be reproduced, copied or communicated without a written agreement with LEDIL Oy. | SIZE A3 | PART NUMBER - |
| | SCALE 1:1 | WEIGHT - |

NOTE: The typical divergence will be changed by different color, chip size and chip position tolerance. The typical total divergence is the full angle measured where the luminous intensity is half of the peak value.

GENERAL INFORMATION

- Product series especially designed & optimized for series of LEDs.
- Special care taken to make light distribution as uniform as possible.

Note! Due to use of high power COB's with this product, special attention to proper thermal design is highly recommended. LEDiL has no liability for direct, indirect or consecutive damages arising from the LEDiL products being used outside of the recommended temperature range.