

## SUMMARY



Image is for illustrative purpose only

### # Wires

Coax 1

Series 3S  
Termination type Male solder Coaxial  
IP rating 50  
AWG wire size 0.00 - 0.00  
Cable Ø 5.80 - 7.20 mm  
Status active  
Matching parts [ERA.3S.275.CTL](#)

### Download

[Request a quote](#)  
[Catalog](#)

## TECHNICAL DETAILS

### Mechanics

Shell Style/Model FFA\*: Straight plug, cable collet  
Keying Circular, male  
Housing Material Brass (chrome plated [SAE AMS 2460]) shell and collet nut, nickel plated [SAE AMS QQ N 290] brass latch sleeve and mid pieces  
Weight 55.13 g

### Performance

Configuration 3S.275 : 1 Coax (75 Ohm)  
Insulator T: PTFE  
Rated Current 15 Amps

### Specifications

Contact Type: Coaxial 75 Ohm (Solder)  
Contact Dia.: 2 mm (0.0787in)  
Bucket Dia.: 1.8 mm (0.0708in)  
Vtest: 2700 V (AC), 3900 V (DC)  
Impedance: 75 Ohm  
VSWR: 1.04 + 0.05 \* f/GHz  
Cable type: RG 213/U, RG 115 A/U, RG 11 A/U, RG 144/U, RG 165 /U

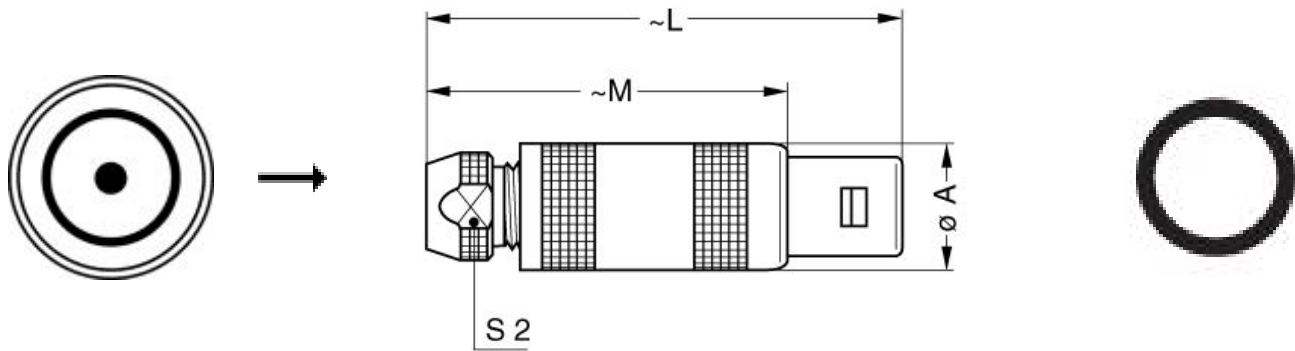
LEMO products and services are provided "as is". LEMO makes no warranties or representations with regard to LEMO product & services or use of them, express, implied or statutory, including for accuracy, completeness, or security. The user is fully responsible for his products and applications using LEMO components.

## Others

Endurance (Shell): 5000 mating cycles  
Temp (min / max): -55°C / +250°C  
Humidity (max): <=95% [at 60 deg C / 140 F]  
Vibration: 15 g [10 Hz - 2000 Hz]  
Shock Resistance: 100 g [ 6 ms]  
Climatical Category: 50/175/21  
Shielding (min): 75 dB (10 MHz)  
Shielding (min): 40 dB (1 GHz)  
Salt Spray Corrosion: >144 hr

---

## DRAWINGS



## Dimensions

	A	L	M	S2
mm.	17.8	61	46	14
in.	0,70	2,40	1,81	0,55

---

## RECOMMENDED BY LEMO

### Tools

Spanner wrench: [DCP.91.023.TN](#)

*LEMO products and services are provided "as is". LEMO makes no warranties or representations with regard to LEMO product & services or use of them, express, implied or statutory, including for accuracy, completeness, or security. The user is fully responsible for his products and applications using LEMO components.*

## Cables

159580	PVC	Black	
62000	PVC	Black	
CCX.50.RG0.58AU61J	PVC	Yellow	
CCX.75.RG0.59BU62N	PVC	Black	
CCX.93.RG0.62AU62N	PVC	Black	

*LEMO products and services are provided "as is". LEMO makes no warranties or representations with regard to LEMO product & services or use of them, express, implied or statutory, including for accuracy, completeness, or security. The user is fully responsible for his products and applications using LEMO components.*