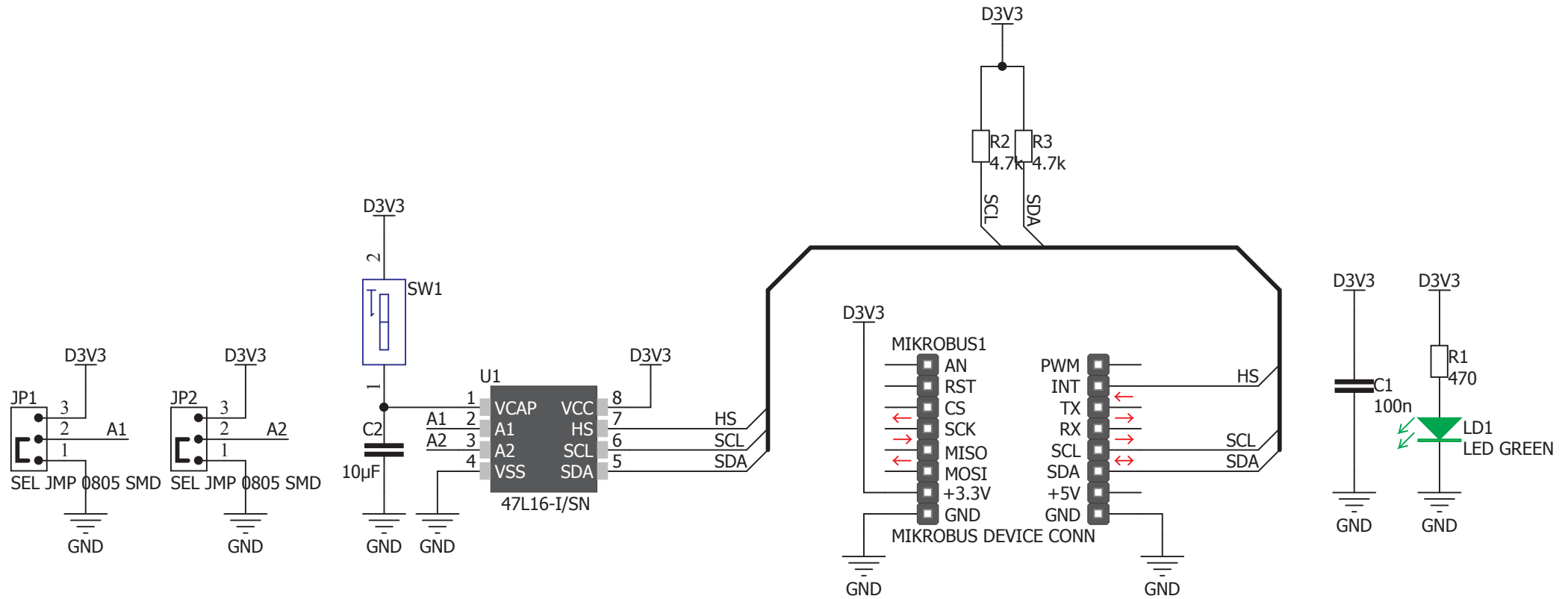


EERAM 3.3V click schematic v100



www.mikroe.com