



# INTERVAL TIMER SWITCH

LINE VOLTAGE



## OVERVIEW

The **PerfectSense** interval timer switch provides an automatic lighting control solution that is intuitive to operate. Designed with contractors in mind, the unit is significantly shallower than typical timers, resulting in less crowded wall boxes. Additionally, versatile wiring enables usage with or without a neutral connection. For interval adjustment, raise and lower buttons are present in addition to the on/off button. Five vertically stacked LEDs are provided to indicate the timer setting / time remaining. Configurable parameters include Maximum Time Setting, Blink Timeout Warning, Turn on Timer Levels, and LED Indication. This stylish unit also matches the **PerfectSense** family of wall switch occupancy sensors and 0-10V dimming wall switch sensors.

## FEATURES

### ELECTRICAL FEATURES

- Accommodates Neutral (3-Wire) and No-Neutral (2-Wire) Installation
- Electronically Timed Switching Ensures Long Relay Life
- Meets NEC 404.2(c) & 404.22 Guidelines Regarding Powering Over Ground & Current Leakage

### OPERATIONAL FEATURES

- 5 LED Time Level Indicators
- Configurable Parameters including Maximum Time, Turn on Timer Setting, & Blink Warnings
- Blue Locator LED when Lights are Off

### PHYSICAL FEATURES

- Enclosure is 25-40% Shallower than Other Timers (< 1" Depth into Wallbox)
- Self-Grounding Mounting Strap
- Modern Look and Intuitive Easy-Tap Buttons for On/Off, Increase Time, & Decrease Time
- Settings are Adjustable Without Removing Cover Plate

## SPECIFICATIONS

### ELECTRICAL

**OPERATING VOLTAGE**  
120-277 VAC SINGLE PHASE, 50/60 Hz

### LOAD RATINGS

MAX: 800W @ 120VAC  
1200W @ 277VAC  
MIN: None

### LOAD TYPES

LED Driver/Lamps  
CFL, Electronic/Magnetic Ballasts (Fluorescent)  
Tungsten (Incandescent)

### ENVIRONMENTAL

**OPERATING TEMP**  
32°F to 122°F (0°C to 50°C)

**RELATIVE HUMIDITY**  
0-95% Non-Condensing, Indoor Use Only

### PHYSICAL

**SIZE**  
2.74"H x 1.68"W x 1.39"D  
(6.96 x 4.27 x 3.53 cm)  
Not Including Mounting Strap  
< 1" J-Box Mounting Depth

**WEIGHT**  
4.5 oz

**MOUNTING**  
Single Gang Switch Box



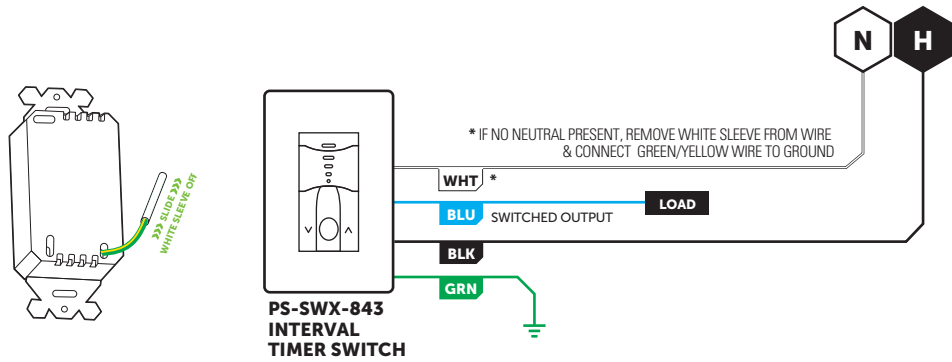
## ORDERING INFO

SAMPLE MODEL # PS-SWX-843-60M-WH

PRODUCT DESCRIPTION		TIMER SCALES		COLOR <sup>1</sup>		PACKAGE COUNT	
<b>PS-SWX-843</b>	Line Voltage Interval Timer Switch	60, 45, 30, 15, 5 MINUTES 12, 8, 4, 2, 1 HOURS	- 60M - 12H	White Ivory Light Almond Gray	- WH - IV - LA - GY	Single Pack 10 Pack <sup>2</sup>	Blank - J10
ACCESSORY		COLOR		PACKAGE COUNT		NOTE 1: WALLPLATE NOT INCLUDED NOTE 2: THE CONTRACTOR PACK OPTION (-J10) REDUCES JOB SITE WASTE AND INVENTORY TIME	
<b>PS-SWX-199</b>	Single Gang Wall Plate	White Ivory	- WH - IV	Light Almond Gray	- LA - GY		

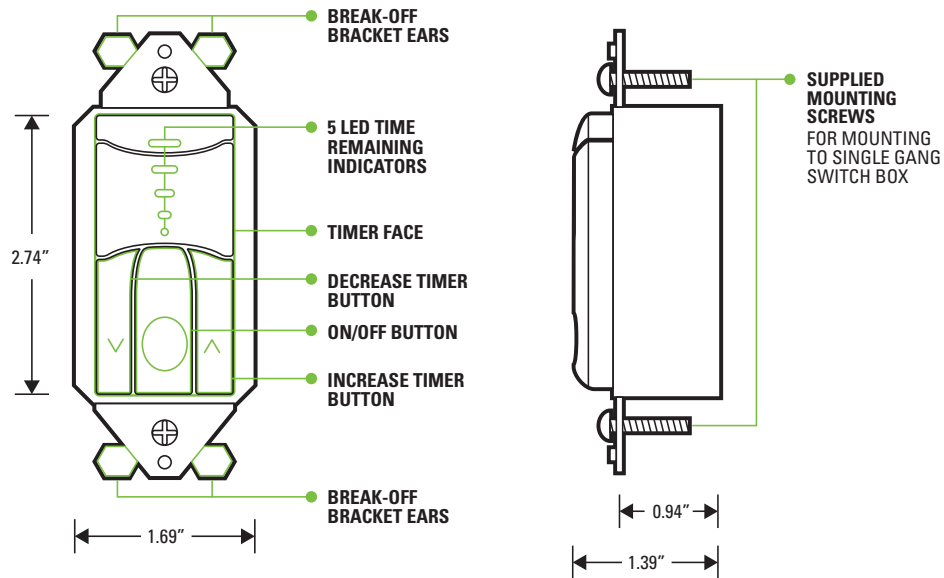
# WIRING

- Unit works both in installations where neutral connection is available as well as installations where only ground connection is present.
- If no neutral is present, remove the white sleeve from the wire & connect the now Green/Yellow wire to ground.



**NOTE: This product is UL listed and meets NEC 404.2(c) & 404.22 guidelines regarding powering over ground & current leakage. Powering over ground is permitted for replacement / retrofit only.**

# INSTALLATION



# OPERATION SETTINGS

## TURN ON TIMER LEVEL

- If the lights are off and the CENTER (on/off) button is pressed, by default the timer will return to the last user selected level.
- The timer level can also be programmed to always come on to any of the preset levels.
- If lights are off and the RIGHT (increase timer) button is pressed, the lights will turn on and the timer will be set to the maximum time level.
- If lights are off and the LEFT (decrease timer) button is pressed, the lights will turn on and the timer will be set to the minimum time level.

## MAX TIME SETTING

- The maximum timer duration that can be selected by a user is configurable to any of the time levels.
- The default maximum level is 60 minutes for model # PS-SWX-843-60M-xx.
- The default maximum level is 12 hours for model # PS-SWX-843-12H-xx.

## BLINK WARNING

- By default the lights will switch off and immediately back on when the time remaining is 1 minute.
- Alternatively, the unit can be configured to provide a blink warning(s) at the following times: @ 1 min, @ 2 min, @ 5 min, @ 1 min & @ 2 min, @ 1 min & @ 5 min remaining.

## LED FUNCTIONALITY

- The top white LED flashes during the last 5 seconds before the LED time indication is decremented.
- White LEDs that show current time remaining are on all the time by default (option to disable or only stay on for 5 seconds after any button is pressed).
- As a location aide when the lights are off, the top LED will be blue (option to disable).