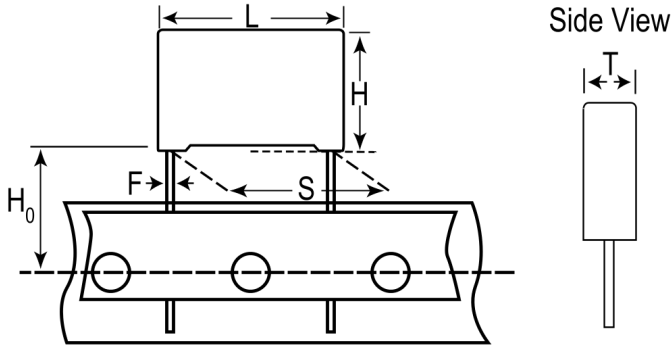


R75QI2220DQ00J

Aliases (75QI2220DQ00J)

R75, Film, Metallized Polypropylene, Automotive Grade, 0.022 uF, 5%, 1000 VDC, 85°C, Lead Spacing = 15mm



Click [here](#) for the 3D model.

Dimensions

| | |
|----|------------------|
| L | 18mm +0.3/-0.5mm |
| H | 11mm +0.1/-0.5mm |
| T | 5mm +0.2/-0.5mm |
| S | 15mm +/-0.4mm |
| H0 | 18.5mm +/-0.5mm |
| F | 0.8mm +/-0.05mm |

Packaging Specifications

| | |
|--------------------|-------------------------|
| Packaging | Ammo, 360x340x59mm, Box |
| Packaging Quantity | 800 |

General Information

| | |
|------------------|--|
| Series | R75 |
| Dielectric | Metallized Polypropylene |
| Style | Radial |
| Features | Automotive Grade, Pulse |
| RoHS | Yes |
| Lead | Wire Leads |
| Qualifications | AEC-Q200 |
| AEC-Q200 | Yes |
| Component Weight | 1.721 g |
| Miscellaneous | Above 85C DC And AC Voltage Derating Is 1.25%/C. |

Specifications

| | |
|-----------------------|--|
| Capacitance | 0.022 uF |
| Capacitance Tolerance | 5% |
| Voltage AC | 250 VAC |
| Voltage DC | 1000 VDC |
| Temperature Range | -55/+105°C |
| Rated Temperature | 85°C |
| Dissipation Factor | 0.04% 1kHz, 0.06% 10kHz, 0.25% 100kHz |
| Insulation Resistance | 100 GOhms |
| Max dV/dt | 2000 V/us |
| Resistance | 50.6 mOhms (100kHz) |
| Ripple Current | 2.56 Amps (100kHz 85C), 44 Amps (Peak) |
| Inductance | 10 nH |