

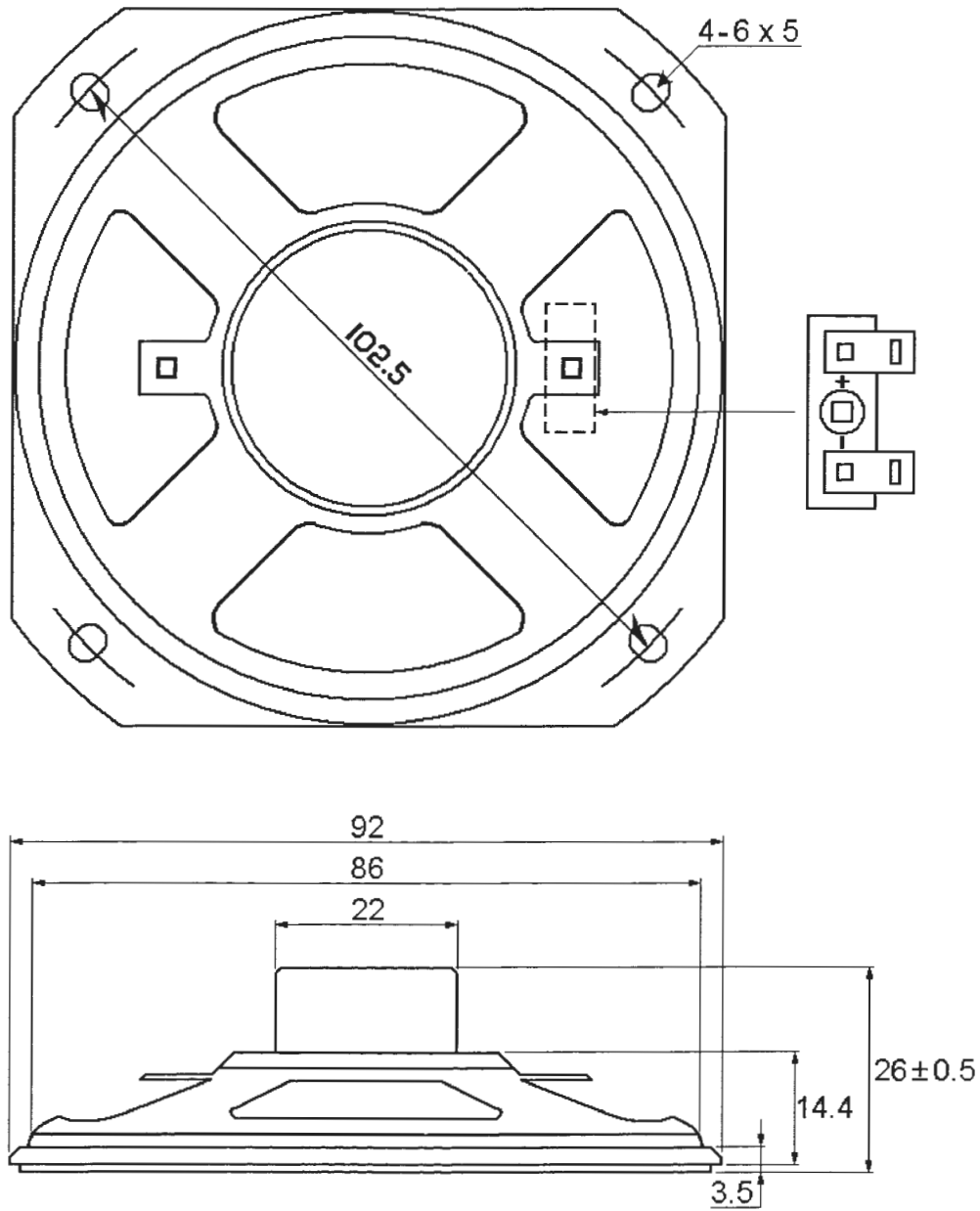
INTERVOX Speakers from International ©

215 McCormick Drive, Bohemia, NY 11716 Tel: (631) 952-9595 Fax: (631) 952-9597 www.icc107.com

Code G52

ICC Part No.	S350SA (RoHS Compliant)	
1. Voice Coil Imp.	$8 \Omega \pm 15\%$	At 800 Hz 1 Volt
2. Operation	Must be normal	Program Source 1 W
3. Buzz & Rattles	Must be normal	Sin Wave 2.83 V
4. Resonant Freq.	$210 \pm 20\%$ Hz	Without Baffle
5. Output S.P.L.	91 ± 3 dB/W Mean Value at 0.7, 0.9, 1.2, 1.4 KHz	From 50cm Measurement 1W
6. Freq. Response	Fo ~ 8500 Hz ± 10 dB	
7. Rated Freq. Response	Hz	
8. Rated Power Input	1.0 W	
9. Max. Power Input	2.0 W	
10. Load Test	After Test Meet Items 2 & 3	White Noise 0.5W 5 Hours
11. Heat Test	After Test Meet Items 2 & 3	$40^\circ \pm 2^\circ$ C 50% R.H. 96 Hours
12. Humidity Test		$40^\circ \pm 2^\circ$ C 90% R.H. 96 Hours
13. Distortion	5% Max.	Rated Power Input 1000 Hz
14. Total Flux	12,000 Maxwell	
15. Flux Density	6000 Gauss	
16. Magnet	Material: Rare Earth	Size: 13 x 10mm Weight: .34 oz.
17. Total Weight	2.04 oz.	
18. Baffle Opening	84 mm	
19. Outside Diameter	92 mm	(Eliminate Rim: 86 mm)
20. Total Height	26 mm	
21. Yoke Size	22 x 14.2 x 12.5mm	Outside Diameter of Seat: 22mm

S350SA (RoHS Compliant)



INTERVOX Speakers from International ©

Measuring Object: S350SA

Measuring Condition: 2.83 V 1 W 0.5 M

Level Range: 60 dB Zero Level (Fundamental): 60 dB X Axis Speed: _____ mm/sec

Impedance Range: _____ Ω Zero Level (Harmonic): _____ dB Y Axis Speed: _____ mm/sec

