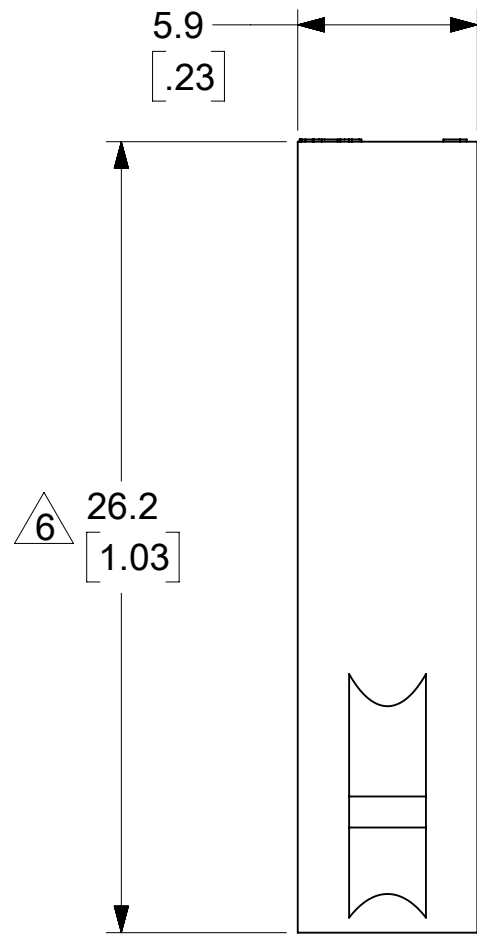
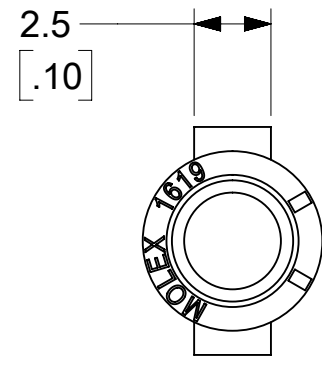
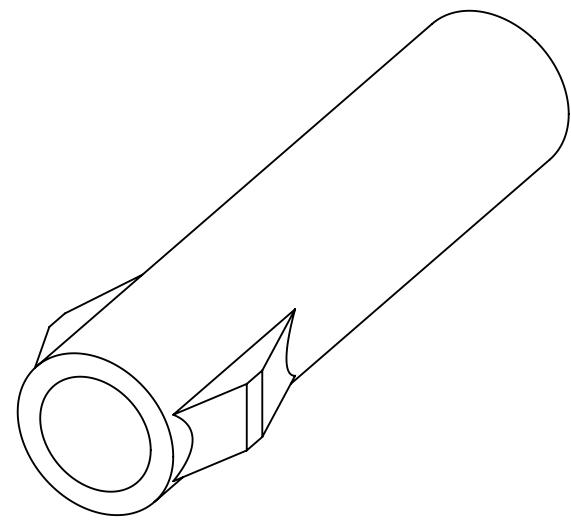
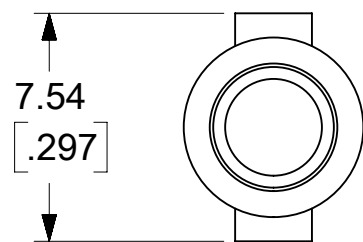


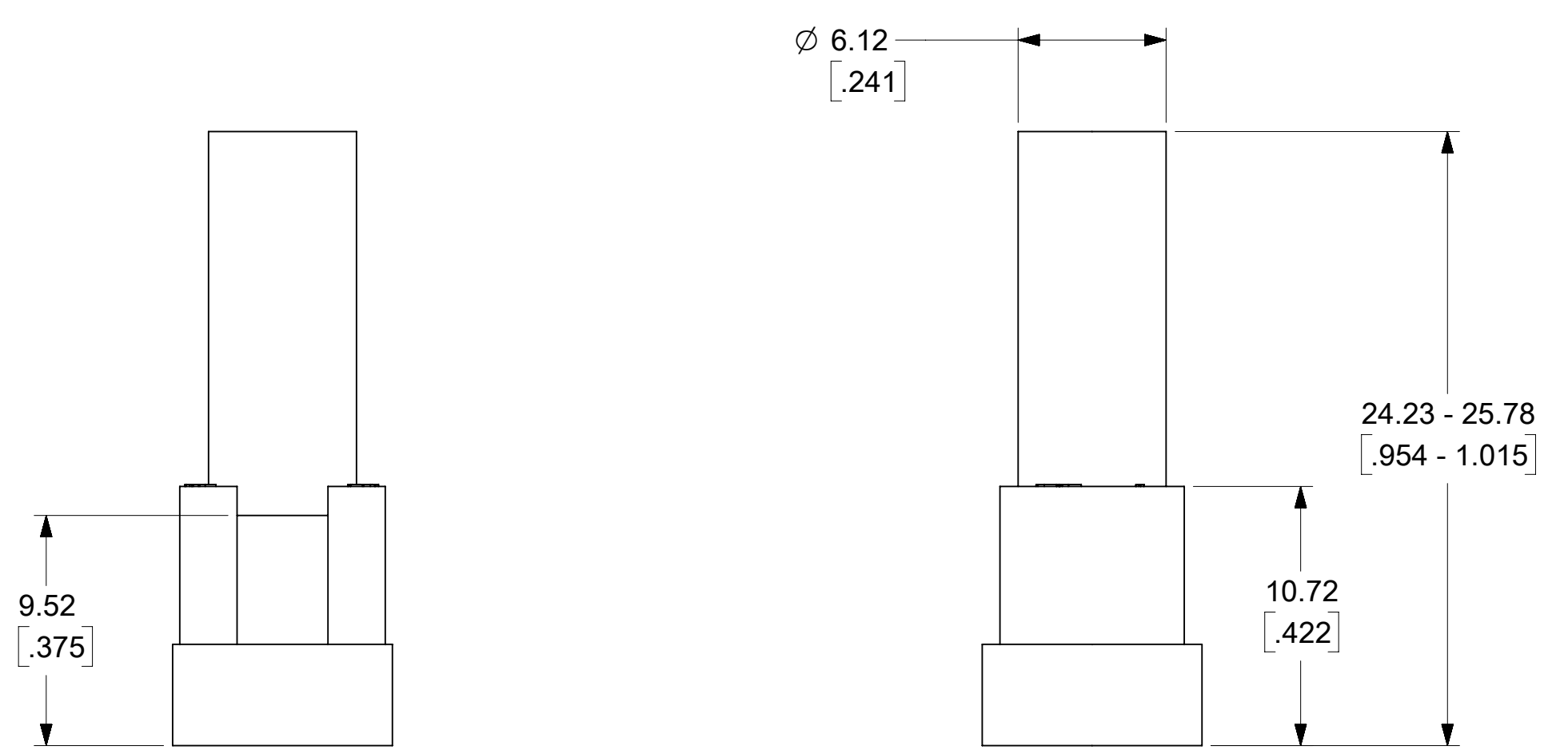
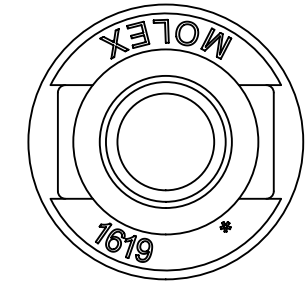
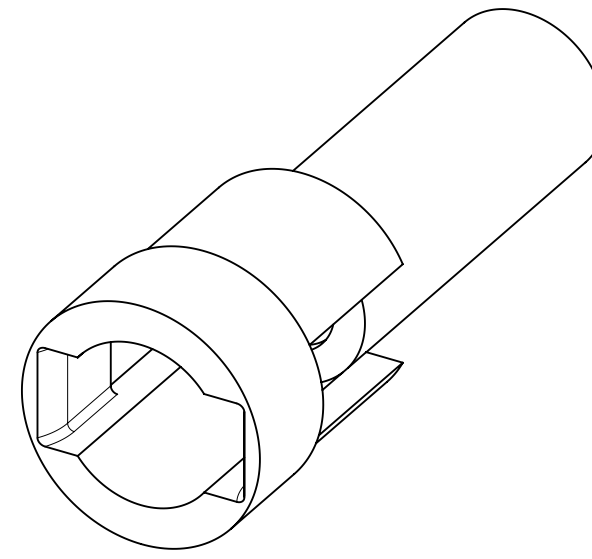
# RECEPTACLE



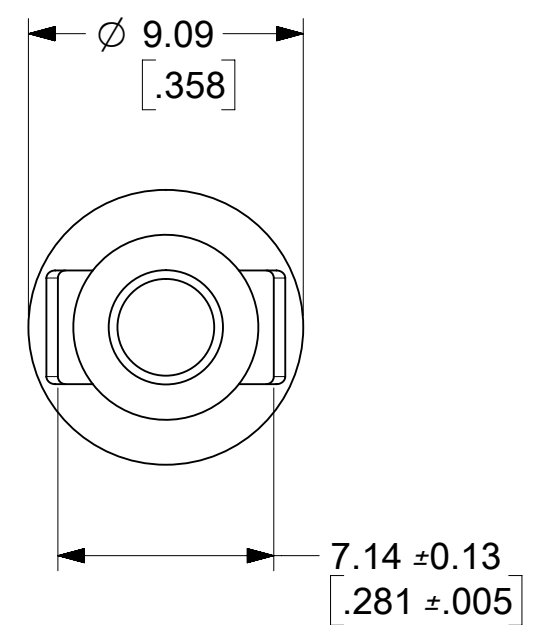
RECEPTACLE	
ORDER NO.	ENG. NO.
03-09-1011	1619-1R1B5N1A5



# PLUG



PLUG		
ORDER NO.	ENG. NO.	OLD ENG. NO.
03-09-2011	1619-1P1A5M1A	1619-P



- NOTES:**
- MATERIAL: NYLON 66, UL94V-2, COLOR: NATURAL
  - FINISH: NONE
  - PRODUCT SPECIFICATION: PS-02-09
  - PACKAGING SPECIFICATION: 16190000
  - THIS HOUSING IS FOR USE WITH .093/(2.36) DIA. TERMINALS.
  - PARTS MADE IN TOOLS BUILT PRIOR TO 9/86 HAVE AN OVERALL LENGTH OF 1.00/(25.4).
  - PARTS CONFORM TO CLASS B REQUIREMENTS OF COSMETIC SPECIFICATION PS-45499-002.
  - THIS DRAWING REPLACES SD-1619-1P\* AND SD-1619-1R\*.

THIS DRAWING CONTAINS INFORMATION THAT IS PROPRIETARY TO MOLEX ELECTRONIC TECHNOLOGIES, LLC AND SHOULD NOT BE USED WITHOUT WRITTEN PERMISSION

QUALITY SYMBOLS	DRWN	CHKD	APPR	DATE	DIMENSION UNITS	SCALE	molex®														
▽ = 0	2017/02/22	2017/03/14	2017/03/16		MM/INCH	4:1	.093/(2.36) DIA. 1CKT PLUG & RECEPTACLE														
▽ = 0	RELEASED	EC NO: 114454 DRWN: MKIPPER CHKD: MKIPPER REV / APPR: FSMITH			GENERAL TOLERANCES (UNLESS SPECIFIED)		<table border="1"> <tr><th>MM</th><th>INCH</th></tr> <tr><td>4 PLACES ±</td><td>±</td></tr> <tr><td>3 PLACES ±</td><td>± 0.014</td></tr> <tr><td>2 PLACES ±</td><td>± 0.25 ± 0.01</td></tr> <tr><td>1 PLACES ±</td><td>± 0.35 ±</td></tr> <tr><td>0 PLACES ±</td><td>±</td></tr> </table>			MM	INCH	4 PLACES ±	±	3 PLACES ±	± 0.014	2 PLACES ±	± 0.25 ± 0.01	1 PLACES ±	± 0.35 ±	0 PLACES ±	±
MM					INCH																
4 PLACES ±					±																
3 PLACES ±					± 0.014																
2 PLACES ±					± 0.25 ± 0.01																
1 PLACES ±	± 0.35 ±																				
0 PLACES ±	±																				
▽ = 0	DRWN BY: BAPPELDORN		DATE: 2017/02/22																		
▽ = 0	CHK'D BY: MKIPPER		DATE: 2017/02/27																		
▽ = 0	APPR BY: FSMITH		DATE: 2017/02/28																		
▽ = 0	ANGULAR TOL ±		DRAWING SIZE: C		THIRD ANGLE PROJECTION		PRODUCT CUSTOMER DRAWING														
▽ = 0	DRAFT WHERE APPLICABLE MUST REMAIN WITHIN DIMENSIONS				SERIES: 1619		MATERIAL NUMBER: SEE CHARTS		CUSTOMER: GENERAL MARKET												
▽ = 0	RELEASE STATUS: P1		RELEASE DATE: 16.03.2017 22:15:27		DOCUMENT NUMBER: 16190000-SD		DOC TYPE: PSD		DOC PART: 000 SHEET NUMBER: 1 OF 1												