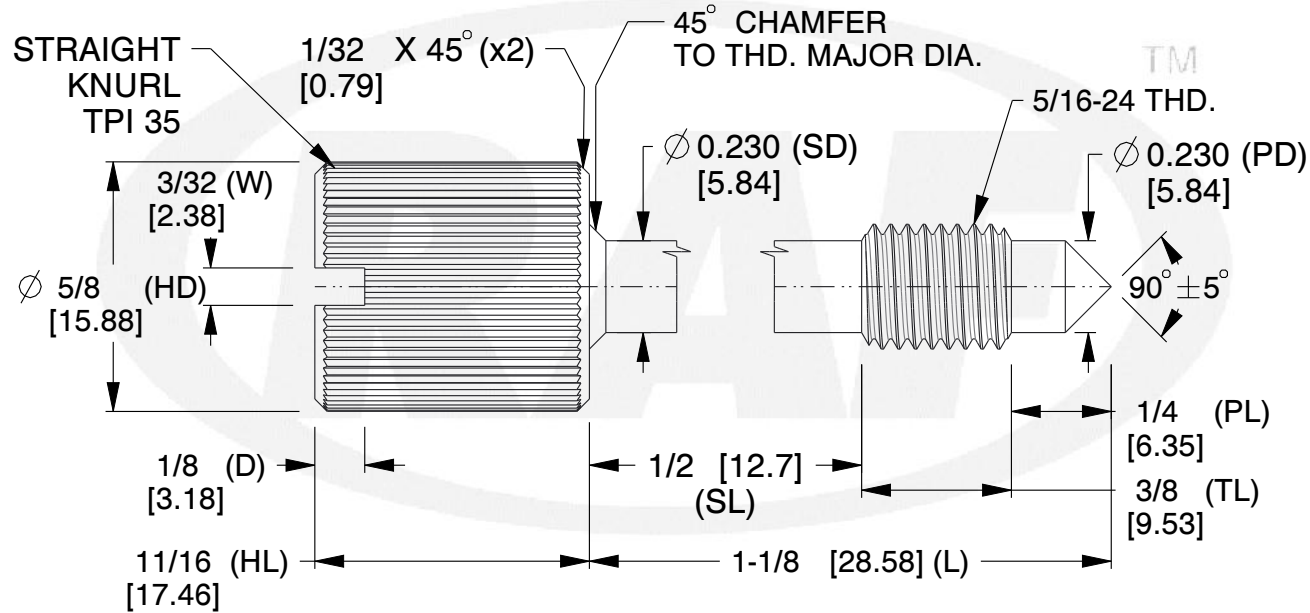


| REV | CHANGE | DATE       | DRN | CHK |
|-----|--------|------------|-----|-----|
|     | Drawn  | 02/22/2017 | SJ  | T   |

| TOLERANCE DETAILS |    |                                  |    |    |                                  |
|-------------------|----|----------------------------------|----|----|----------------------------------|
| 1                 | D  | +0.010 [+0.25]<br>-0.000 [-0.00] | 6  | PD | +0.000 [+0.00]<br>-0.010 [-0.25] |
| 2                 | L  | ±0.015 [±0.38]                   | 7  | PL | ±0.015 [±0.38]                   |
| 3                 | W  | +0.005 [+0.13]<br>-0.000 [-0.00] | 8  | SD | ±0.005 [±0.13]                   |
| 4                 | HD | +0.015 [+0.38]<br>-0.000 [-0.00] | 9  | SL | ±0.010 [±0.25]                   |
| 5                 | HL | ±0.010 [±0.25]                   | 10 | TL | +0.000 [+0.00]<br>-0.015 [-0.38] |



**NOTES:**

1. Material : Stainless Steel
2. Finish :
3. ASME Y14.5-M - 2009
4. All Drawing Dimensions are in Inches [mm]
5. Unless otherwise specified; Edge Breaks, Radii or Countersinks 0.005-0.015



95 Silvermine Rd., Seymour CT 06483  
Tel: 203-888-2133, Fax: 203-888-9860

This Drawing is the Property of RAF.  
It contains confidential, proprietary information that is RAF property. Do not disclose to or duplicate for others except as authorized by RAF.

**TOLERANCES**  
ALL DIMENSIONS ARE INCHES (UNLESS OTHERWISE SPECIFIED)  
**METALLIC**  
LENGTHS < 6 INCHES ± 0.005  
LENGTH > 6 INCHES ± 0.010  
DIAMETERS: ± 0.005  
**NON-METALLIC**  
LENGTH: ± 0.010 DIAMETERS: ± 0.010  
**INTERNAL THREADS:**  
MINIMUM THREAD DEPTH

| COMPONENT                   | PANEL SCREW  |
|-----------------------------|--------------|
| CAPTIVE PANEL SCREW STYLE 2 | <b>SCALE</b> |
|                             | 2.08         |
|                             | <b>SHEET</b> |
|                             | 1 of 1       |