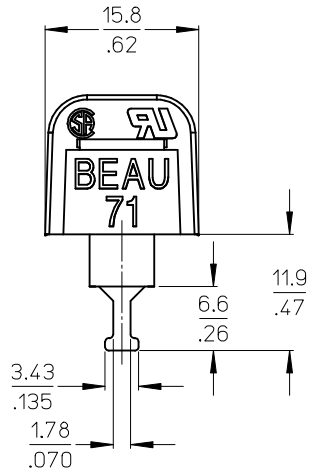
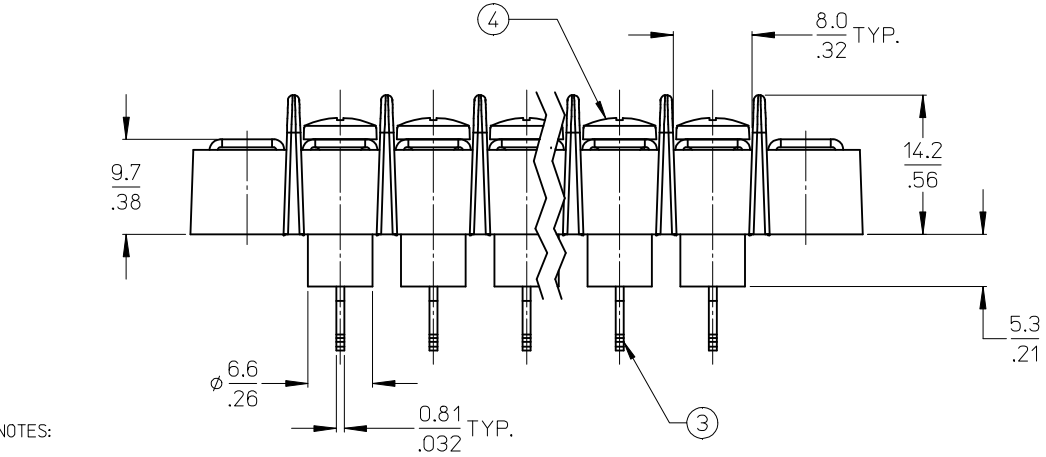


5 CIRCUITS SHOWN



- NOTES:  
 1. MATERIAL: SEE TABLE  
 2. FINISHES: SEE TABLE  
 3. PRODUCT SPECIFICATION: NOT REQUIRED  
 4. XX REFERS TO THE NUMBER OF CIRCUITS  
 5. ROHS COMPLIANT.

4	XX	SCREW #6-32X.250 BHD PHSL SS -56 (B)	STAINLESS STEEL	PASSIVATED
3	XX	TERMINAL, TURRET	BRASS	TIN PLATE
2	2	PLATE, MOUNTING	BRASS	NICKEL PLATE
1	1	INSULATOR, SINGLE ROW	POLYESTER (PBT)	BLACK
ITEM	QTY.	DESCRIPTION	MATERIAL	FINISH

**CHANGE SCREW, REDRAWN**  
 EC NO: IPG2013-0364  
 DRAWN: JENCINAS 2011/05/30  
 CHKD: JMACNEIL 2011/05/30  
 APPR: JMACNEIL 2012/11/05

QUALITY SYMBOLS  
 ▼=0  
 ▽=0

GENERAL TOLERANCES (UNLESS SPECIFIED)	
	mm
	INCH
4 PLACES	± --- ± ---
3 PLACES	± --- ± .005
2 PLACES	± 0.13 ± .010
1 PLACE	± 0.3 ± ---
ANGULAR ± 2 °	
DRAFT WHERE APPLICABLE MUST REMAIN WITHIN DIMENSIONS	

DIMENSION STYLE  
**MM/IN**  
 DRAWN BY: JENCINAS  
 CHECKED BY: JMACNEIL  
 APPROVED BY: JMACNEIL  
 MATERIAL NO.  
**SEE SHEET 2**

SCALE: 2:1  
 DESIGN UNITS: INCH  
 THIRD ANGLE PROJECTION  
 TITLE: 9.53MM/.375" SR BTS ASSY INSUL. SOLDER TURRET SS SCREW  
**MOLEX INCORPORATED**  
 DOCUMENT NO. SD-38719-005  
 SHEET NO. 1 OF 2  
 THIS DRAWING CONTAINS INFORMATION THAT IS PROPRIETARY TO MOLEX INCORPORATED AND SHOULD NOT BE USED WITHOUT WRITTEN PERMISSION

NO. OF CIRCUITS	DIM. "A"		DIM. "B"		DIM. "C"		DIM. "D"		ASSEMBLY MATERIAL NO. (STANDARD)
	mm	in	mm	in	mm	in	mm	in	
02	40.1	1.58	9.53	0.375	28.58	1.125	21.1	0.83	
03	49.7	1.96	19.05	0.750	38.10	1.500	30.7	1.21	387190059
04	59.2	2.33	58.58	1.125	47.63	1.875	40.2	1.58	
05	68.7	2.71	38.10	1.500	57.15	2.250	49.7	1.96	
06	78.2	3.08	47.63	1.875	66.68	2.625	59.2	2.33	387190195
07	87.8	3.46	57.15	2.250	76.20	3.000	68.8	2.71	
08	97.3	3.83	66.68	2.625	85.73	3.375	78.3	3.08	387190288
09	106.8	4.21	76.20	3.000	95.25	3.750	87.8	3.46	
10	116.3	4.58	85.73	3.375	104.78	4.125	97.3	3.83	387190332
11	125.9	4.96	95.25	3.750	114.30	4.500	106.9	4.21	
12	135.4	5.33	104.78	4.125	123.83	4.875	116.4	4.58	387190366
13	144.9	5.71	114.30	4.500	133.35	5.250	125.9	4.96	
14	154.4	6.08	123.83	4.875	142.88	5.625	135.4	5.33	387190394
15	164.0	6.46	133.35	5.250	152.40	6.000	145.0	5.71	387190178
16	173.5	6.83	142.88	5.625	161.93	6.375	154.5	6.08	387190612
17	183.0	7.21	152.40	6.000	171.45	6.750	164.0	6.46	
18	192.5	7.58	161.93	6.375	180.98	7.125	173.5	6.83	
19	202.1	7.96	171.45	6.750	190.50	7.500	183.1	7.21	
20	211.6	8.33	180.98	7.125	200.03	7.875	192.6	7.58	387190427
21	221.1	8.71	190.50	7.500	209.55	8.250	202.1	7.96	
22	230.6	9.08	200.03	7.875	219.08	8.625	211.6	8.33	
23	240.2	9.46	209.55	8.250	228.60	9.000	221.2	8.71	
24	249.7	9.83	219.08	8.625	238.13	9.375	230.7	9.08	
25	259.2	10.21	228.60	9.000	247.65	9.750	240.2	9.46	
26	268.7	10.58	238.13	9.375	257.18	10.125	249.7	9.83	

SEE SHEET ONE EC NO: IPG2013-0364 DRAWN: JENCINAS 2011/05/30 CHKD: JMACNEIL 2011/05/30 APPR: JMACNEIL 2012/11/05	DESCRIPTION REV	QUALITY SYMBOLS ▽=0 ▽=0	GENERAL TOLERANCES (UNLESS SPECIFIED) mm INCH 4 PLACES ± --- ± --- 3 PLACES ± --- ± .005 2 PLACES ± 0.13 ± .010 1 PLACE ± 0.3 ± --- ANGULAR ± 2 °	DIMENSION STYLE MM/IN DRAWN BY DATE JENCINAS 2011/05/11 CHECKED BY DATE JMACNEIL 2011/05/11 APPROVED BY DATE JMACNEIL 2012/11/05	SCALE 2:1 DESIGN UNITS INCH THIRD ANGLE PROJECTION	TITLE 9.53MM/.375" SR BTS ASSY INSUL. SOLDER TURRET SS SCREW	MOLEX INCORPORATED DOCUMENT NO. SD-38719-005	SHEET NO. 2 OF 2
		DRAFT WHERE APPLICABLE MUST REMAIN WITHIN DIMENSIONS	SEE SHEET 2	THIS DRAWING CONTAINS INFORMATION THAT IS PROPRIETARY TO MOLEX INCORPORATED AND SHOULD NOT BE USED WITHOUT WRITTEN PERMISSION				
		MATERIAL NO.	SIZE B					
		SEE SHEET ONE						