

30.5	29.3	25.65	24.5	54132-5097	54132-5039	50
28.0	26.8	23.15	22.0	-4597	-4539	45
27.0	25.8	22.15	21.0	-4397	-4339	43
25.5	24.3	20.65	19.5	-4097	-4039	40
24.5	23.3	19.65	18.5	-3897	-3839	38
23.5	22.3	18.65	17.5	-3697	-3639	36
23.0	21.8	18.15	17.0	-3597	-3539	35
22.5	21.3	17.65	16.5	-3497	-3439	34
22.0	20.8	17.15	16.0	-3397	-3339	33
21.5	20.3	16.65	15.5	-3297	-3239	32
20.5	19.3	15.65	14.5	54132-3097	54132-3039	30
D	C	B	A	EMBOSSSED TAPE MATERIAL. NO.		CKT.
ORDER No. オーダー番号					54132-**-39	MODEL. NO.

THIS DRAWING CONTAINS INFORMATION THAT IS PROPRIETARY TO MOLEX ELECTRONIC TECHNOLOGIES, LLC AND SHOULD NOT BE USED WITHOUT WRITTEN PERMISSION

SCALE: DIMENSION UNITS: mm, NTS

GENERAL TOLERANCES (UNLESS SPECIFIED): ANGULAR TOL ± °

CURRENT REV DESC:

EC NO: 719890
 DRWN: NARENC 2022/08/23
 CHK'D: SMARUYAMA 2022/09/05
 APPR: YNAITO 2022/09/05

INITIAL REVISION:
 DRWN: MNABEI 2003/12/16
 APPR: MSASAO 2003/12/17

THIRD ANGLE PROJECTION

DRAWING: A3-SIZE, SERIES: 54132

molex

0.5 FPC CONN ZIF HOUSING ASSY FOR SMT -LEAD FREE-

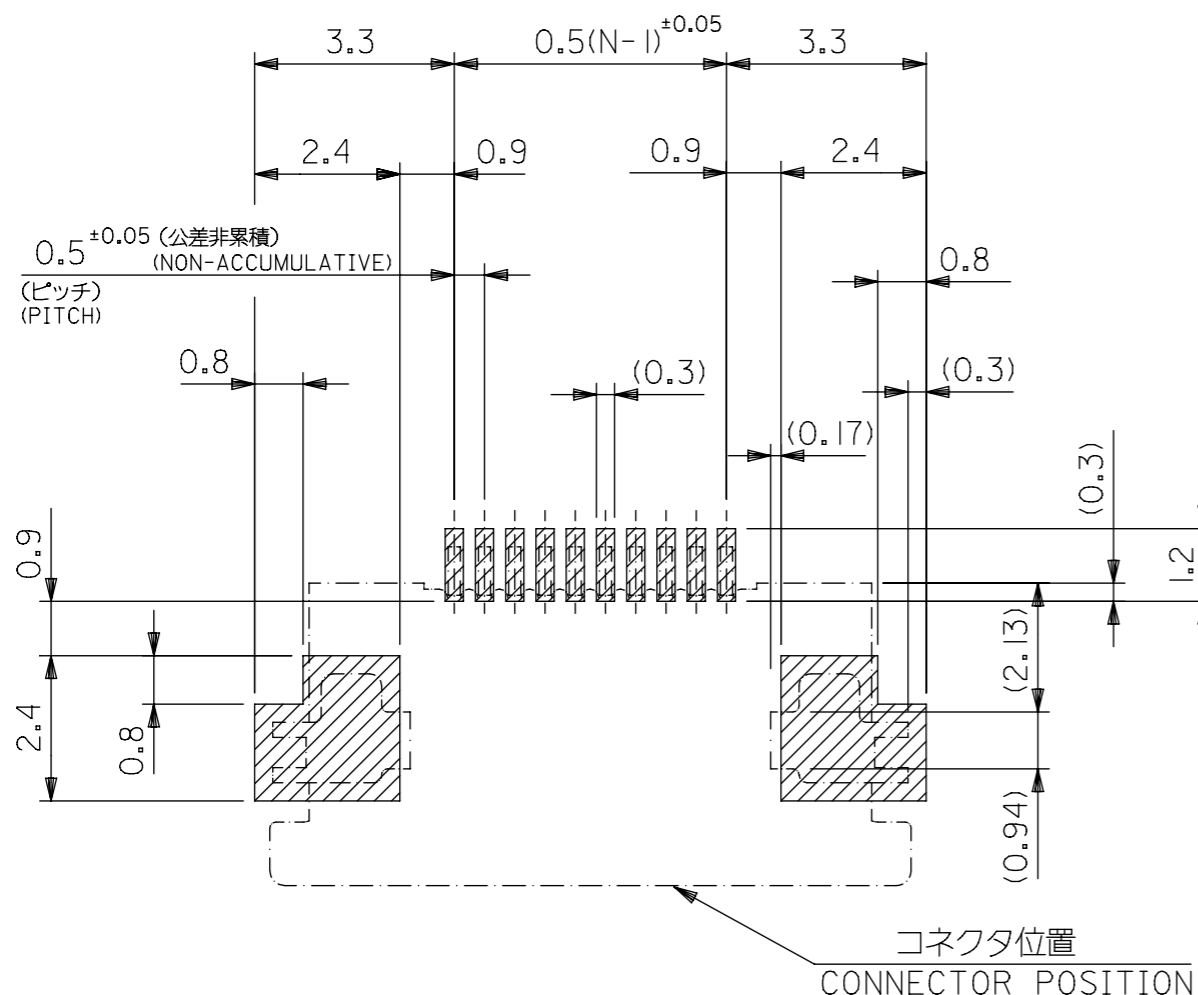
PRODUCT CUSTOMER DRAWING

DOCUMENT NUMBER: SD-54132-060, DOC TYPE: PSD, DOC PART: 001, REVISION: C

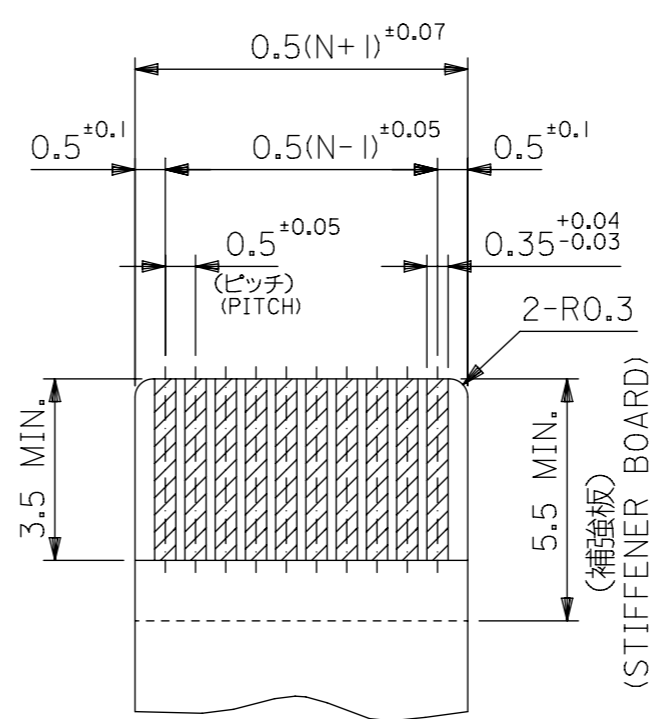
MATERIAL NUMBER: SEE TABLE, CUSTOMER: GENERAL MARKET, SHEET NUMBER: 1 OF 2

GENERAL TOLERANCES (UNLESS SPECIFIED)

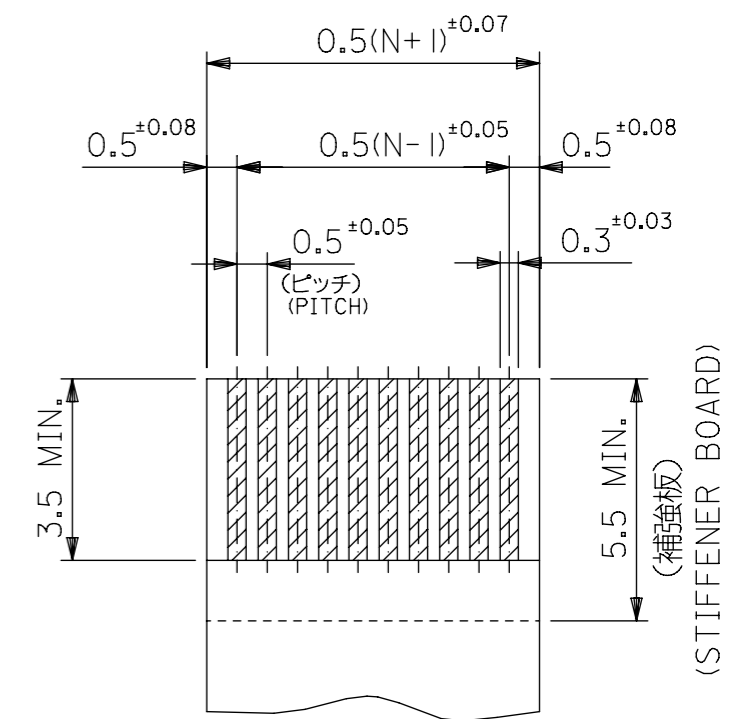
10 ^{UNDER}	±0.2
10 ^{OVER} 30 ^{UNDER}	±0.25
30 ^{OVER}	±0.3
ANGULAR	±3 °



参考基板レイアウト
RECOMMENDED PCB BOARD PATTERN DIMENSION(REF.)
(マウント面)
(MOUNTING SIDE)



適合FPC推奨寸法
APPLICABLE FPC RECOMMENDED DIMENSION
(仕上がり厚さ: 0.3±0.03)
(THICKNESS: 0.3±0.03)



適合FFC推奨寸法
APPLICABLE FFC RECOMMENDED DIMENSION
(仕上がり厚さ: 0.3±0.03)
(THICKNESS: 0.3±0.03)

注記
NOTES

1. 使用材料
MATERIAL : 46ナイロン, UL94V-0
HOUSING : 46NYLON
アクチュエーター
ACTUATOR : PPS, UL94V-0
ターミナル
TERMINAL : リン青銅 (t=0.2), 錫・ヒスマスメッキ 1.0~3.0 MICRO METER MIN.
ニッケル下地 1.0~3.0 MICRO METER MIN.
OVER NICKEL 1.0~3.0 MICRO METER MIN.
金具
FITTING NAIL : リン青銅 (t=0.2), 錫メッキ 1.0~3.0 MICRO METER MIN.
ニッケル下地 1.0~3.0 MICRO METER MIN.
OVER NICKEL 1.0~3.0 MICRO METER MIN.

2. エンボステープ梱包時は、アクチュエーターがロックした状態とする。
IN THE PACKAGE, ACTUATOR OF PART NO.54132-***31 SHOULD BE LOCKED.
3. ソルダータール半田付け面のズレ量、及び金具半田付け面のズレ量は、基準面 [H] に対し上方向0.1MAX.、下方向0.15MAX.とする。
MISALIGNMENT OF SOLDER TAILS AND FITTING NAIL FROM [H] UPPER DIRECTION: 0.1 MAX., LOWER DIRECTION: 0.15 MAX.
4. 偶数極に適用
APPLY FOR EVEN CIRCUIT.
5. パターンはくり止め用金具
FITTING NAIL FOR PREVENTION OF PEELING OF P.C.B. PATTERN.
6. 本製品は54132-***31の鉛フリー品である。
THIS PRODUCT IS LEAD FREE OF 54132-***31

FPC/FFCについて
打抜き方向は導体側から補強板側を推奨いたします。
導体部については軟銅箔35マイクロメートルまたは50マイクロメートル
RECOMMENDED PUNCHER DIRECTION:
FROM CONDUCTOR SIDE TO STIFFENER BOARD SIDE.
RECOMMENDED CONDUCTOR SPEC.:
THICKNESS OF SOFT COPPER FOIL:
35 micrometer or 50 micrometer

54132-***39 MODEL NO.

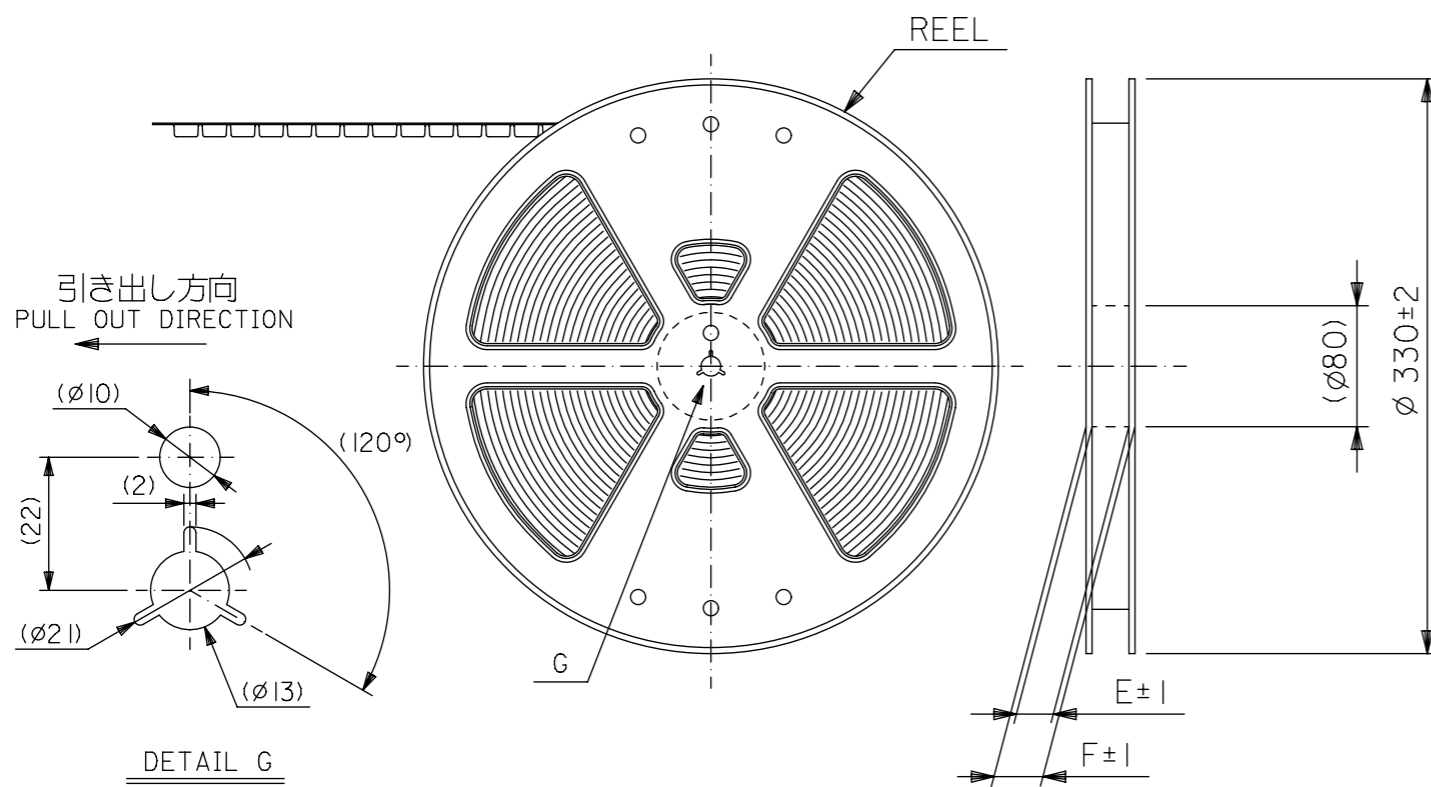
THIS DRAWING CONTAINS INFORMATION THAT IS PROPRIETARY TO MOLEX ELECTRONIC TECHNOLOGIES, LLC AND SHOULD NOT BE USED WITHOUT WRITTEN PERMISSION

DIMENSION UNITS	SCALE	CURRENT REV DESC.
mm	NTS	
GENERAL TOLERANCES (UNLESS SPECIFIED)		
ANGULAR TOL	±	°
4 PLACES	±	
3 PLACES	±	
2 PLACES	±	
1 PLACE	±	
0 PLACES	±	
DRAFT WHERE APPLICABLE MUST REMAIN WITHIN DIMENSIONS		
THIRD ANGLE PROJECTION		
DRAWING	SERIES	MATERIAL NUMBER
A3-SIZE	54132	SEE TABLE
CUSTOMER		
GENERAL MARKET		
SHEET NUMBER		
2 OF 2		

EC NO: 719890
DRWN: NARENC 2022/08/23
CHK'D: SMARUYAMA 2022/09/05
APPR: YNAITO 2022/09/05

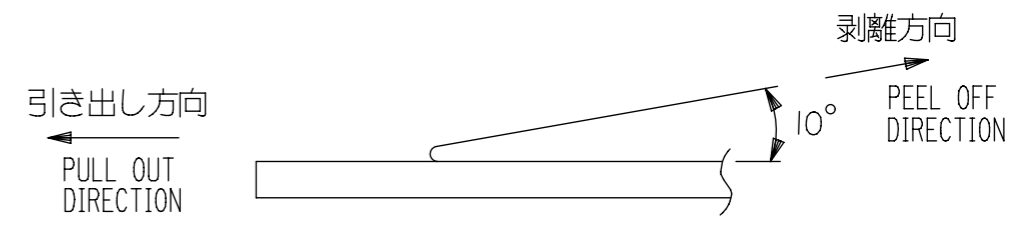
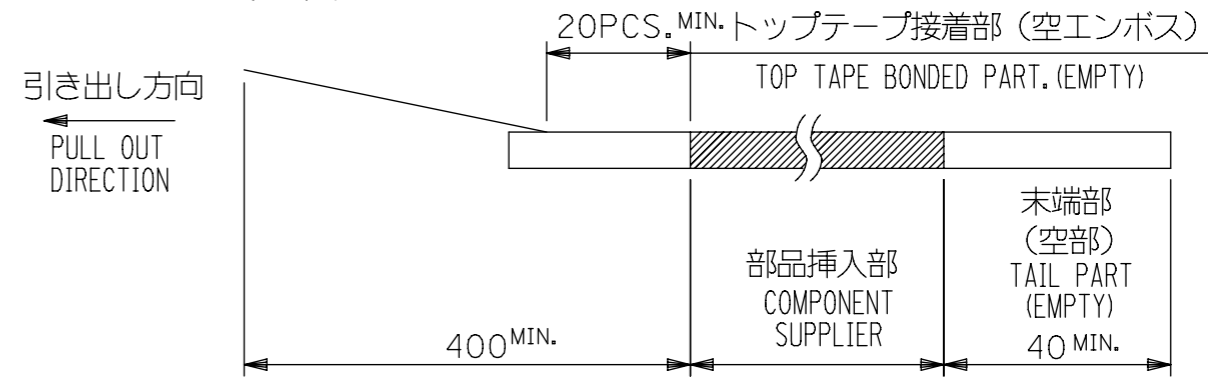
INITIAL REVISION:
DRWN: MNABEI 2003/12/16
APPR: MSASAO 2003/12/17

DOCUMENT NUMBER: SD-54132-060
DOC TYPE: PSD
DOC PART: 001
REVISION: C



NOTES

- 梱包数量：1500個/リール
NUMBER OF CONNECTORS : 1500PCS/REEL
- リードテープ長さ LEAD TAPE LENGTH
20PCS. MIN. トップテープ接着部 (空エンボス)
TOP TAPE BONDED PART. (EMPTY)
部品挿入部
COMPONENT SUPPLIER
末端部 (空部)
TAIL PART (EMPTY)
40 MIN.
- トップテープの剥離強度：0.1N ~ 1.3N (10gf ~ 130gf)
(剥離方向は下図参照)
尚、本規格値は出荷時に適用。(但し、輸送時に剥離が発生しないこと。)
PEELING OFF FORCE OF TOP TAPE : 0.1N ~ 1.3N (10gf ~ 130gf).
(PEELING DIRECTION AS SHOWN IN FOLLOWING FIG.)
THIS REQUIREMENT SHOULD BE APPLIED AT SHIPMENT.
PEEL OFF SHOULD NOT BE ALLOWED , DURING TRANSPORTATION.



- 材料
キャリアテープ：ポリプロピレン (PP)
トップテープ：PET, PE, PEF
リール：ポリスチレン (PS) <リサイクル材を含む>

MATERIAL CARRIER TAPE: POLYPROPYLENE
TOP TAPE: PET, PE, PEF
REEL: POLYSTYREN (PS)
<RECYCLE MATERIAL CONTAINED>

- 本製品は54132-**-92の鉛フリー品である。
THIS PRODUCT IS LEAD FREE OF 54132-**-92

54132-**-97 MODEL NO.

THIS DRAWING CONTAINS INFORMATION THAT IS PROPRIETARY TO MOLEX ELECTRONIC TECHNOLOGIES, LLC AND SHOULD NOT BE USED WITHOUT WRITTEN PERMISSION		CURRENT REV DESC:		molex	
DIMENSION UNITS	SCALE				
mm	NTS			EMBOSSED TAPE PACKAGE FOR 0.5 FPC CONN.ZIF -LEAD FREE-	
GENERAL TOLERANCES (UNLESS SPECIFIED)		GENERAL TOLERANCES (UNLESS SPECIFIED)		PRODUCT CUSTOMER DRAWING	
ANGULAR TOL ± °		ANGULAR TOL ± °		DOCUMENT NUMBER	
4 PLACES ±		4 PLACES ±		SD-54132-061	
3 PLACES ±		3 PLACES ±		DOC TYPE	
2 PLACES ±		2 PLACES ±		PSD	
1 PLACE ±		1 PLACE ±		DOC PART	
0 PLACES ±		0 PLACES ±		001	
DRAFT WHERE APPLICABLE MUST REMAIN WITHIN DIMENSIONS		THIRD ANGLE PROJECTION		REVISION	
		DRAWING		B	
		SERIES		SHEET NUMBER	
		A3-SIZE		1 OF 2	
		54132			
		MATERIAL NUMBER			
		SEE TABLE			
		CUSTOMER			
		GENERAL MARKET			

GENERAL TOLERANCES (UNLESS SPECIFIED)	
10 ^{UNDER}	±0.2
10 ^{OVER} 30 ^{UNDER}	±0.25
30 ^{OVER}	±0.3
ANGULAR	±3 °

