

**MATERIALS AND FINISHES:**

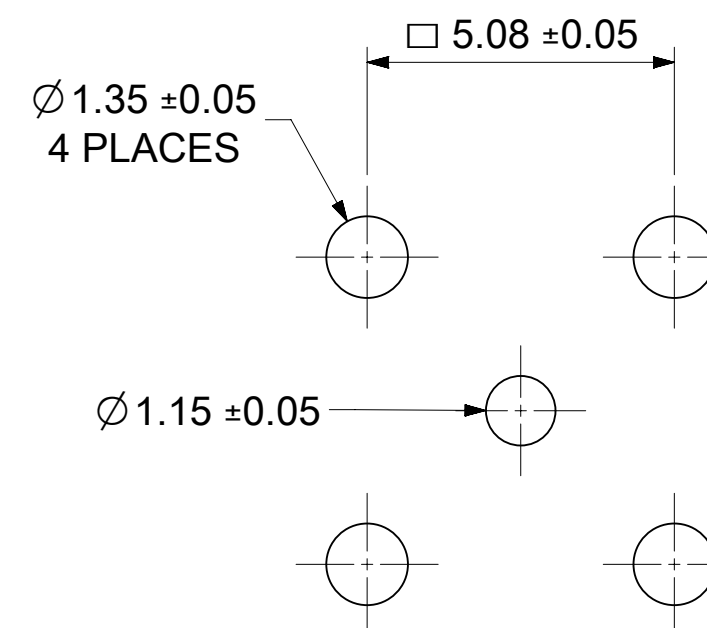
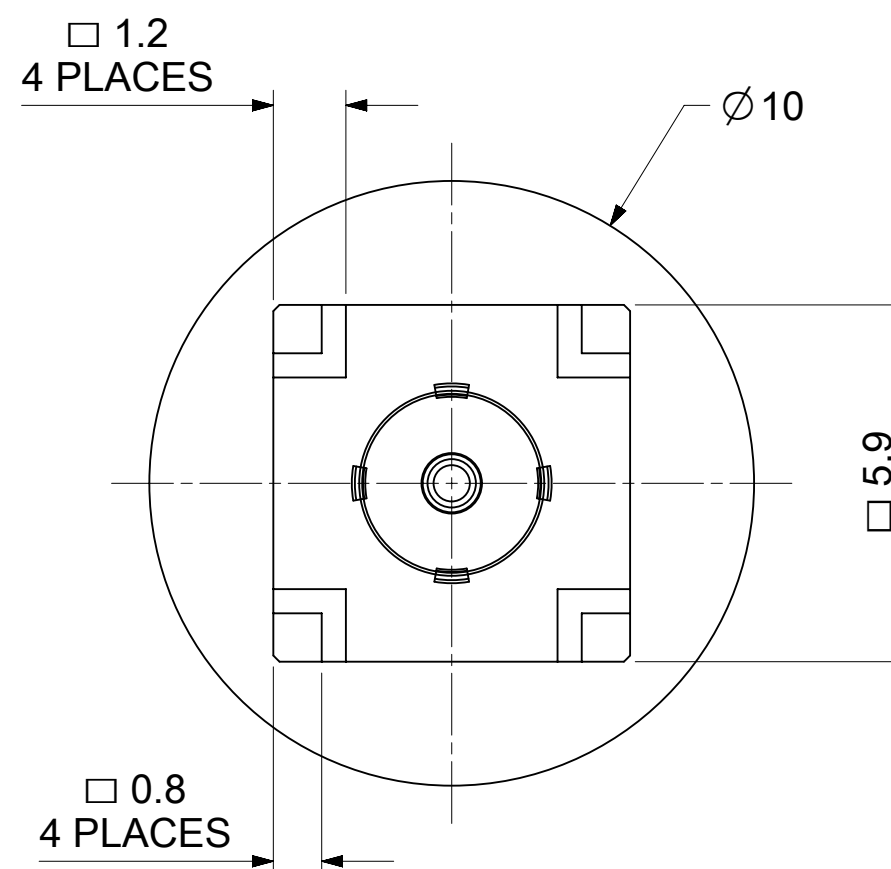
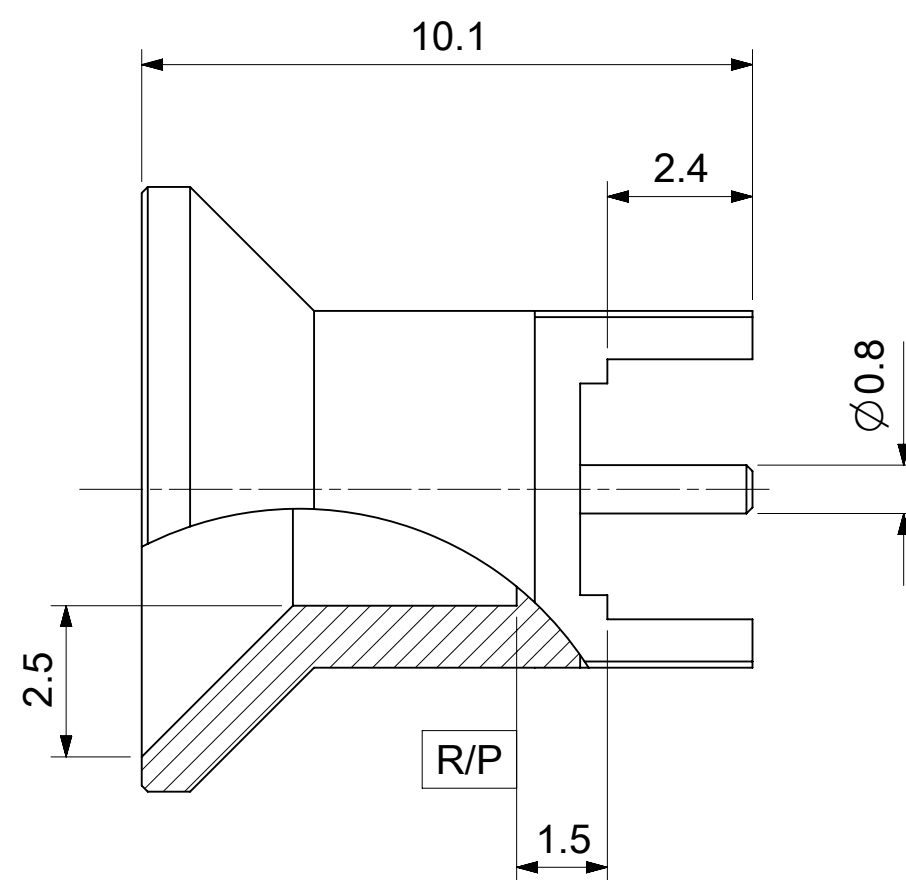
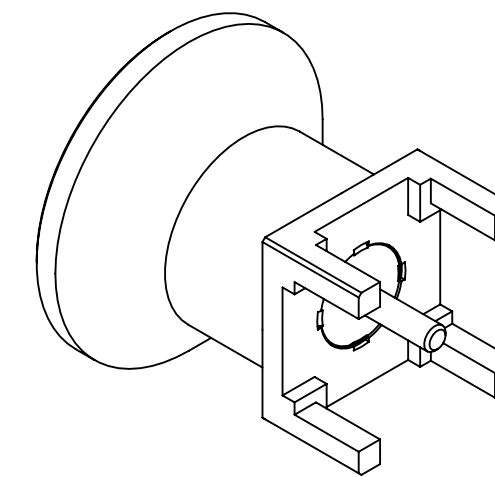
**BODY : BRASS**  
**OPTION 1:**  
 PLATED GOLD (8μ-in MIN) OVER  
 HIGH-PHOS NICKEL (80μ-in MIN)  
**OPTION 2:**  
 PLATED GOLD (1μ-in MIN) OVER  
 HIGH-PHOS NICKEL (80μ-in MIN)

**CONTACT : BRASS**  
 PLATED GOLD (8μ-in MIN) OVER  
 HIGH-PHOS NICKEL (80μ-in MIN)

**INSULATOR: PTFE**

**ELECTRICAL CHARACTERISTICS:**

NOMINAL IMPEDANCE: 50Ω  
 FREQUENCY RANGE: DC-10 GHz  
 VSWR: \*1.25 MAX UP TO 3GHz, \*1.35 MAX 3-6GHz  
 INSERTION LOSS: \*0.15√F (GHz) dB MAX  
 \*COAXIAL TRANSMISSION LINE ONLY  
 VOLTAGE RATING: 330 Vrms AT SEA LEVEL  
 DIELECTRIC WITHSTANDING VOLTAGE: 1000 Vrms  
 INSULATION RESISTANCE: 5000 MΩ



**RECOMMENDED PCB LAYOUT**

73420-5661	OPTION 2	TRAY
73420-5660	OPTION 1	
PART NO.	BODY PLATING	PACKAGING

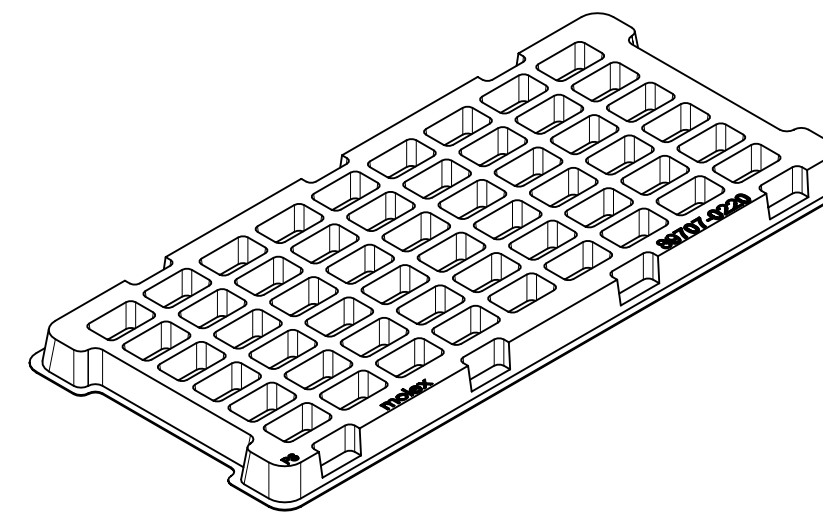
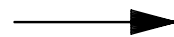
PS-89675-3760	ELEC/MECH PERFORMANCE
SPECIFICATION	DESCRIPTION

THIS DRAWING CONTAINS INFORMATION THAT IS PROPRIETARY TO MOLEX ELECTRONIC TECHNOLOGIES, LLC AND SHOULD NOT BE USED WITHOUT WRITTEN PERMISSION															
DIMENSION UNITS		SCALE		CURRENT REV DESC: ADD 73420-5661 AND ADD PLATING THICKNESS AND ADD ELECTRICAL CHARACTERISTICS PER EWR #15238-A											
mm		NTS													
GENERAL TOLERANCES (UNLESS SPECIFIED)				EC NO: 711256				SMP-MAX PLUG STR SLIDE TYPE PCB TH SMPMAX-P/PCB							
ANGULAR TOL ± 2.0°				DRWN: RYEH 2022/06/01											
4 PLACES ±				CHK'D: YCHENG 2022/06/23				PRODUCT CUSTOMER DRAWING							
3 PLACES ±				APPR: YCHENG 2022/06/23											
2 PLACES ± 0.13				INITIAL REVISION:				DOCUMENT NUMBER							
1 PLACE ± 0.25				DRWN: RYEH 2015/07/13											
0 PLACES ± 0.38				APPR: YCHENG 2015/08/25				SD-73420-566							
DRAFT WHERE APPLICABLE MUST REMAIN WITHIN DIMENSIONS				THIRD ANGLE PROJECTION		DRAWING		SERIES		MATERIAL NUMBER		CUSTOMER		SHEET NUMBER	
						C-SIZE		73420		SEE TABLE		GENERAL MARKET		1 OF 2	
										PSD		001		B	

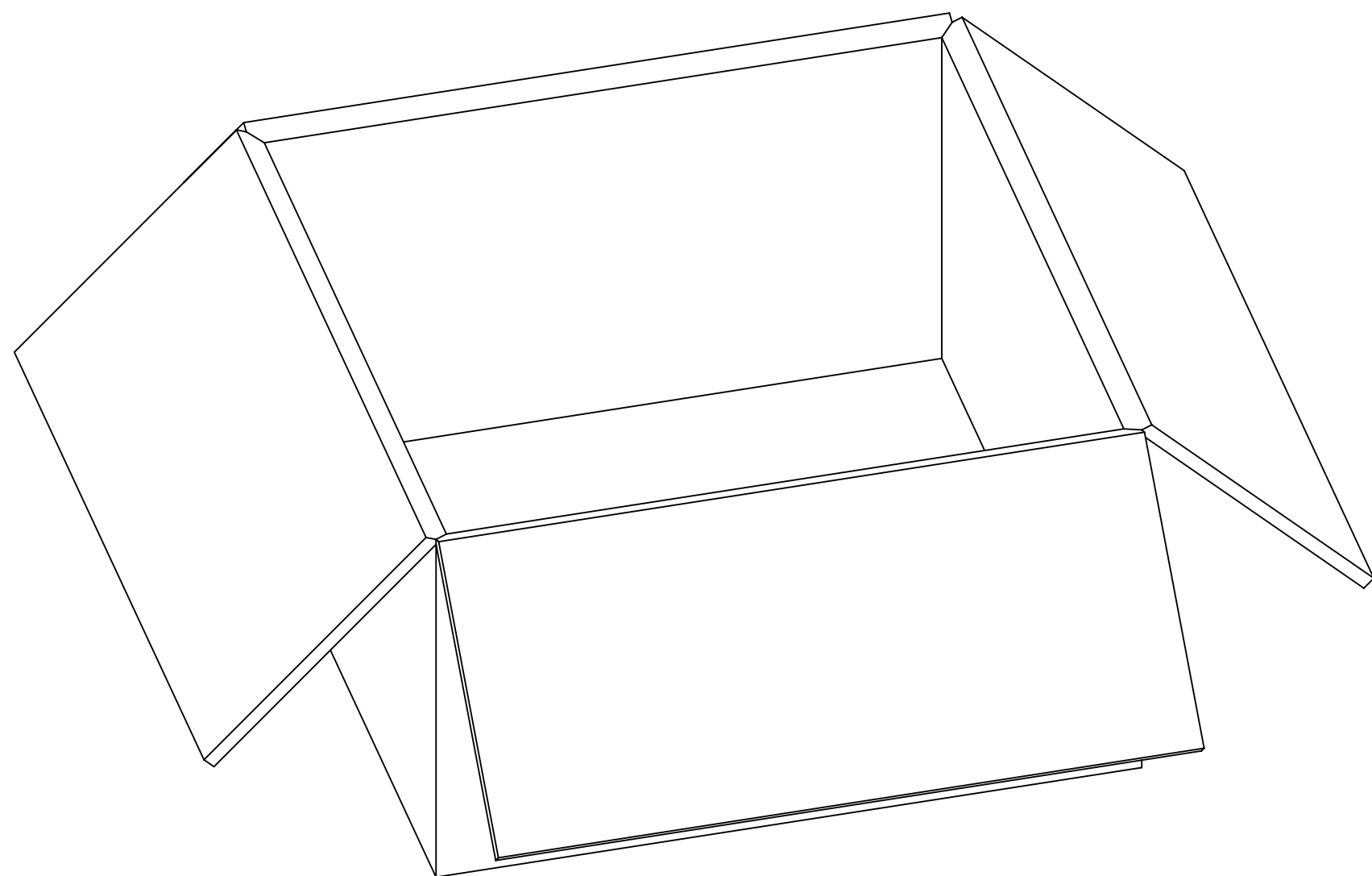
DOCUMENT STATUS	P1	RELEASE DATE	2022/06/23	08:14:27
-----------------	----	--------------	------------	----------



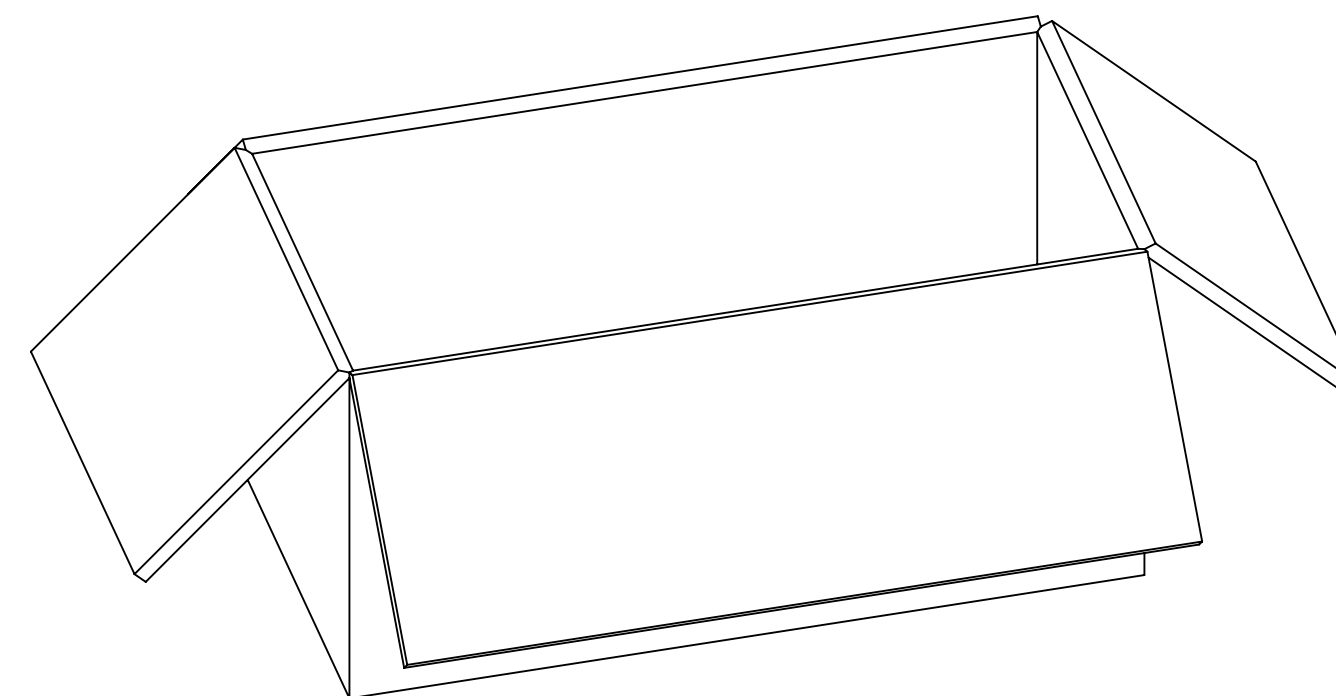
P/N: 73420-5660  
OR 73420-5661



54 SETS PER TRAY



1080 SETS PER OUTER CARTON BOX



540 SETS PER INNER CARTON BOX

THIS DRAWING CONTAINS INFORMATION THAT IS PROPRIETARY TO MOLEX ELECTRONIC TECHNOLOGIES, LLC AND SHOULD NOT BE USED WITHOUT WRITTEN PERMISSION											
DIMENSION UNITS		SCALE		CURRENT REV DESC: ADD 73420-5661 AND ADD PLATING THICKNESS AND ADD ELECTRICAL CHARACTERISTICS PER EWR #15238-A				<b>molex</b>			
mm		NTS									
GENERAL TOLERANCES (UNLESS SPECIFIED)				EC NO: 711256				SMP-MAX PLUG STR SLIDE TYPE			
ANGULAR TOL ± 2.0°								DRWN: RYEH		2022/06/01	
4 PLACES ±				CHK'D: YCHENG				2022/06/23		PRODUCT CUSTOMER DRAWING	
3 PLACES ±				APPR: YCHENG				2022/06/23			
2 PLACES ± 0.13				INITIAL REVISION:				DOCUMENT NUMBER		DOC TYPE	
1 PLACE ± 0.25				DRWN: RYEH				2015/07/13		DOC PART	
0 PLACES ± 0.38				APPR: YCHENG				2015/08/25		REVISION	
DRAFT WHERE APPLICABLE MUST REMAIN WITHIN DIMENSIONS				THIRD ANGLE PROJECTION		DRAWING		SERIES		MATERIAL NUMBER	
						C-SIZE		73420		CUSTOMER	
								SEE TABLE		GENERAL MARKET	
										SHEET NUMBER	
										2 OF 2	

DOCUMENT STATUS	P1	RELEASE DATE	2022/06/23	08:14:27
-----------------	----	--------------	------------	----------