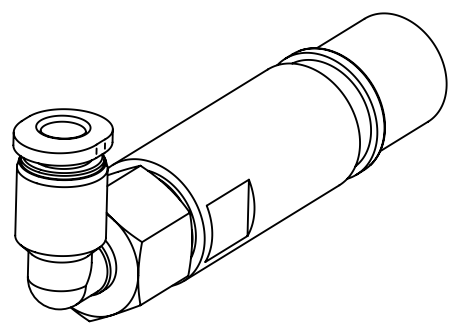
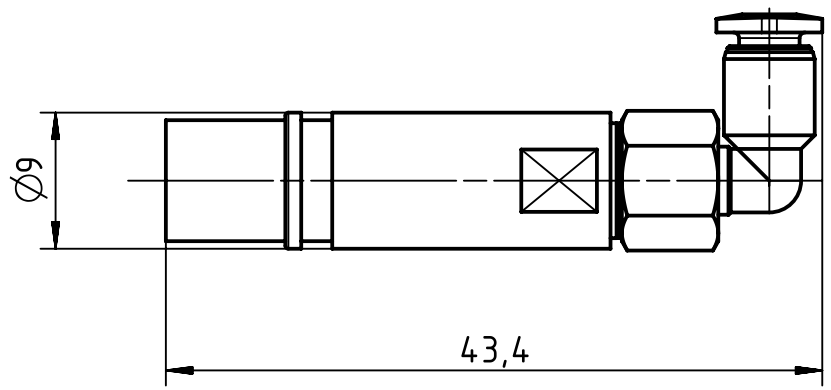
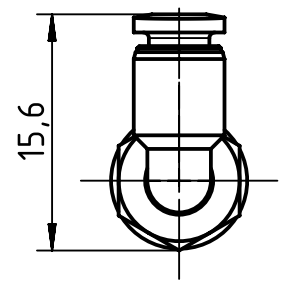


1 2 3 4 5 6

A  
B  
C  
D



	All Dimensions in mm Original Size DIN A4		Scale 2:1	Free size tol.		Ref.
						Sub.
	All rights reserved		Created by MOELLERLI	Inspected by BEISCHER	Standardisation RUETERA	Date 2018-05-16
	Department EL PD					State Final Release
HARTING Electric GmbH & Co. KG D-32339 Espelkamp			Title Pneum. contact metal OD3mm female angled			Doc-Key / ECM-Nr. 100731091/UGD/001/B 500000133860
			Type TB	Number 09 14 000 7453		Rev. B Page 1/1