



# Single-Ended Cordsets

## Single Keyway M12

#22 AWG yellow PVC cables with or without braid – DC color code  
 Oil-resistant PVC jacket for all types of heavy-duty industrial environments  
 Highly reliable low-resistance contact design with gold/palladium nickel plating

	3P	4P	5P
FEMALE FACE VIEW			
COLOR CODE	1- brown 2- not used 3- blue 4- black 5- not used	1- brown 2- white 3- blue 4- black 5- not used	1- brown 2- white 3- blue 4- black 5- gray
VOLTAGE	250V AC/DC	250V AC/DC	250V AC/DC
CURRENT	4A	4A	4A
CONDUCTOR	#22-3	#22-4	#22-5

FEMALE	FIG	SINGLE-ENDED CORDSETS WITH #22 AWG PVC CABLE WITHOUT BRAID 2 METERS LONG		
STRAIGHT	1	803000A09M020	804000A09M020	805000A09M020
90°	2	803001A09M020	804001A09M020	805001A09M020
MATING RECEPTACLE*	5	8R3006A18A120	8R4006A18A120	8R5006A18A120
MALE	FIG	SINGLE-ENDED CORDSETS WITH #22 AWG PVC CABLE WITHOUT BRAID 2 METERS LONG		
STRAIGHT	3	803006A09M020	804006A09M020	805006A09M020
90°	4	803007A09M020	804007A09M020	805007A09M020
MATING RECEPTACLE*	6	8R3A00A18A120	8R4A00A18A120	8R5A00A18A120

### CATALOG OPTIONS

\*See Page 116 for additional Mating Receptacles

Use the following chart to modify your part's specifications

**803000A09M0201**

**WIRE TYPE**

#22 AWG YELLOW PVC  
 W/ METALLIC BRAID . . . . . **D01**

**CABLE LENGTH**

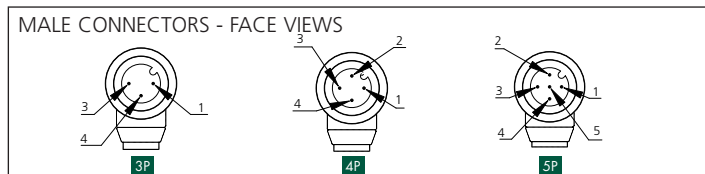
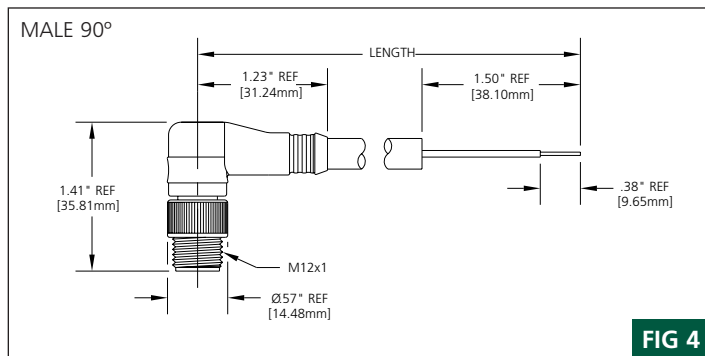
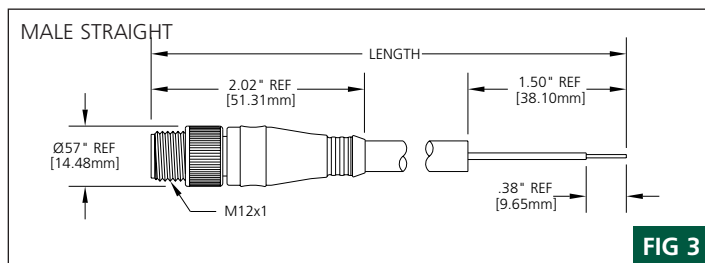
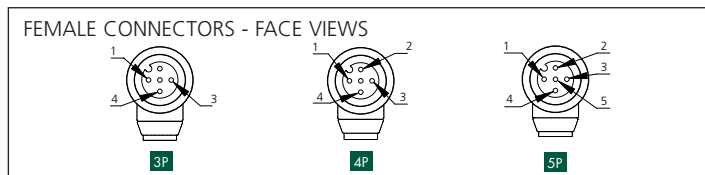
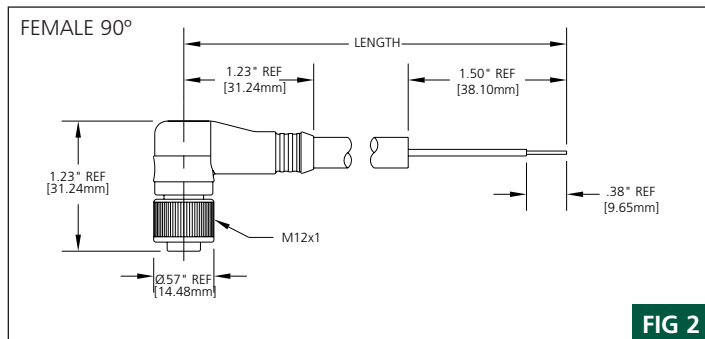
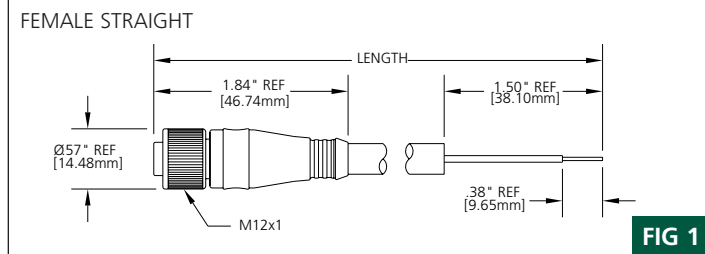
4 METER . . . . . **040**  
 5 METER . . . . . **050**

**COUPLING NUT**

STAINLESS STEEL . . . . . **ADD 1**  
 NON-METALLIC . . . . . **ADD 2**  
 (NON-METALLIC AVAILABLE ON  
 FEMALE CONNECTORS ONLY)

# Specifications

## CONNECTOR DIMENSIONS



**MECHANICAL**  
 CONNECTOR FACE: NYLON 6/6  
 MOLDED BODY: PVC  
 O-RING: NITRILE RUBBER  
 COUPLING NUT: ZINC DIECAST W/ BLACK EPOXY COAT, OPTIONAL STAINLESS STEEL



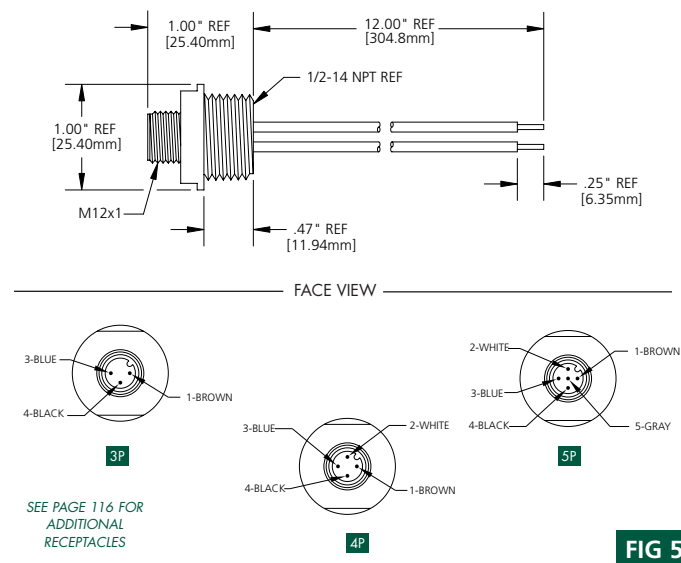
CABLE: TYPE 303 OR NON-METALLIC BLACK DELRIN  
 YELLOW #22 AWG PVC JACKET AND PVC CONDUCTOR INSULATION OVER 26 X #36 COPPER STRANDING, 300V, UL STYLE 2661, CSA AWM VII A/B, OPTIONAL 80% METALLIC BRAID  
 WITHOUT BRAID WITH BRAID  
 OUTSIDE DIAMETER:  
 3P - .18" (4.6mm) 3P - .23" (5.8mm)  
 4P - .20" (5.1mm) 4P - .25" (6.4mm)  
 5P - .23" (5.8mm) 5P - .26" (6.6mm)

**ELECTRICAL**  
 VOLTAGE RATING: 250 V AC/DC  
 AMPERAGE:  
 3P - 4A  
 4P - 4A  
 5P - 4A

**ENVIRONMENTAL**  
 PROTECTION: IP 68, NEMA 6P  
 AMBIENT OPERATING TEMP: -4° TO 221° F (-20° TO 105° C)  
**CERTIFICATIONS**  
 UL: UL LISTED, FILE NO. E152210  
 CSA: CSA CERTIFIED, FILE NO. LR6837

## RECEPTACLE DIMENSIONS

### MALE RECEPTACLE W/ EXTERNAL THREADS AND 1/2" - 14NPT THREADS



### FEMALE RECEPTACLE W/ INTERNAL THREADS AND 1/4" - 18NPT THREADS

