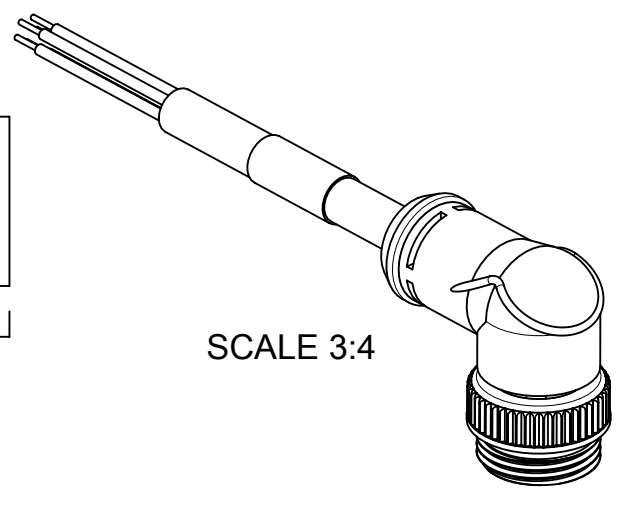
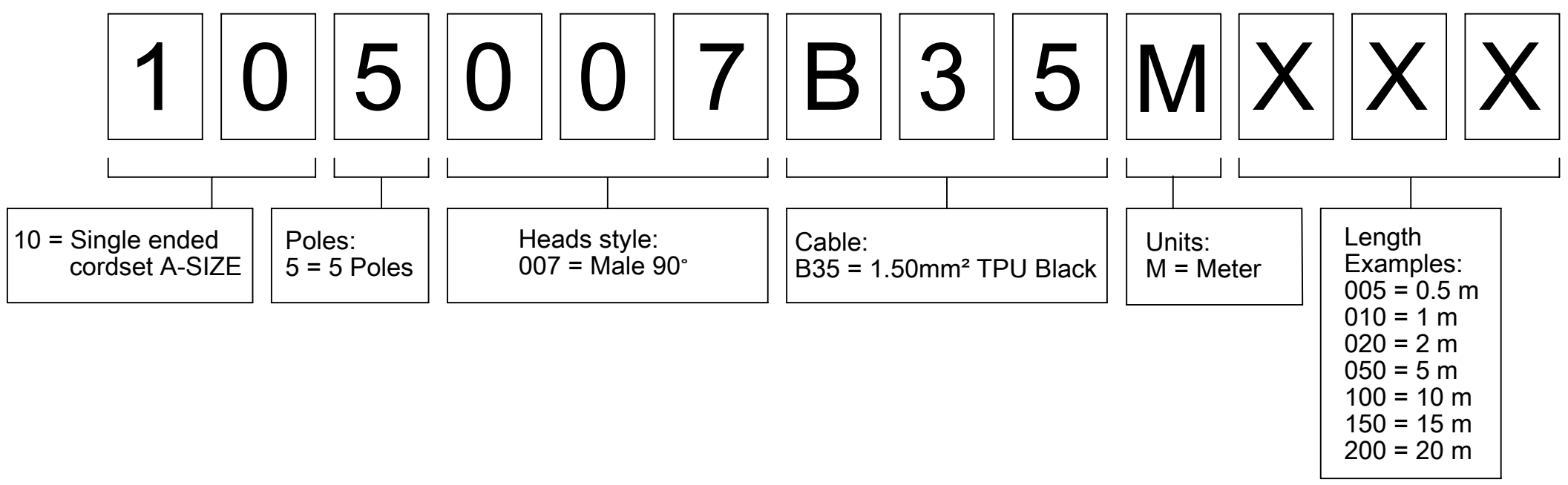


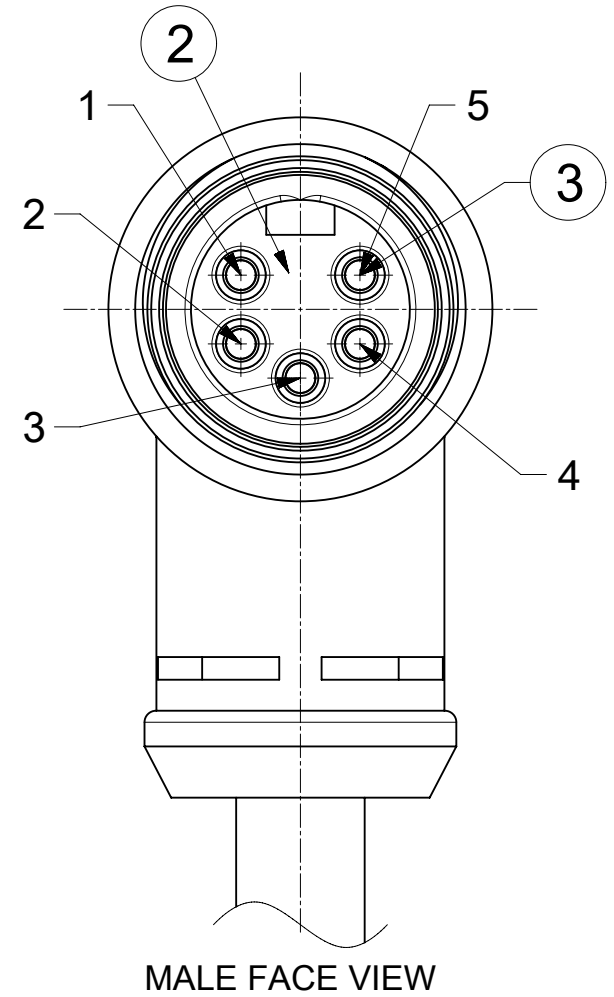
MATERIAL NO.	ENGINEERING NO.	FINISHED LENGTH
1300068277	105007B35M010	1 M (3 FT 3.37 IN)
1300068169	105007B35M020	2 M (6 FT 6.74 IN)
1300068170	105007B35M050	5 M (16 FT 4.85 IN)
1300068171	105007B35M100	10 M (32 FT 9.7 IN)
1300068172	105007B35M200	20 M (65 FT 4.7 IN)
1300068173	105007B35M300	30 M (98 FT 5.1 IN)

PART NUMBER MATRIX



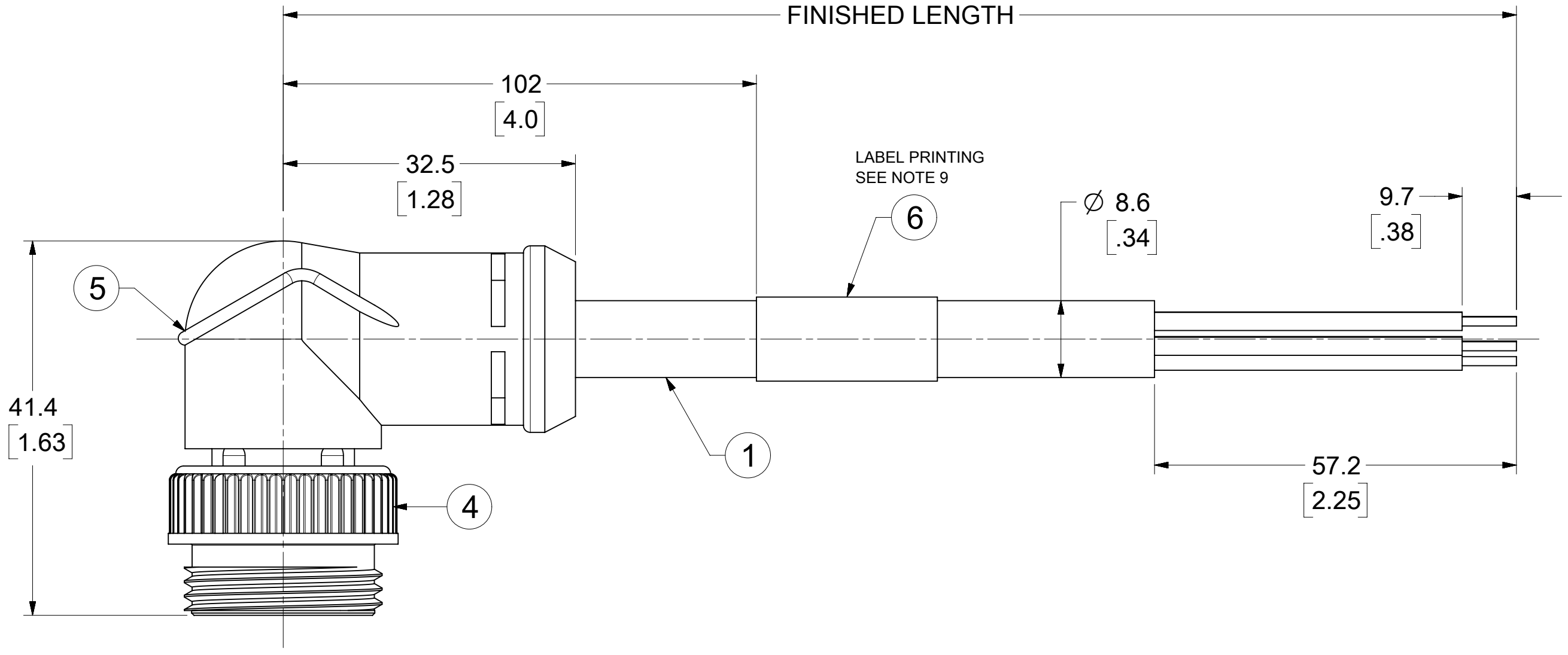
WIRING DIAGRAM

1	BLACK
2	BLUE
3	GREEN/YELLOW
4	BROWN
5	WHITE



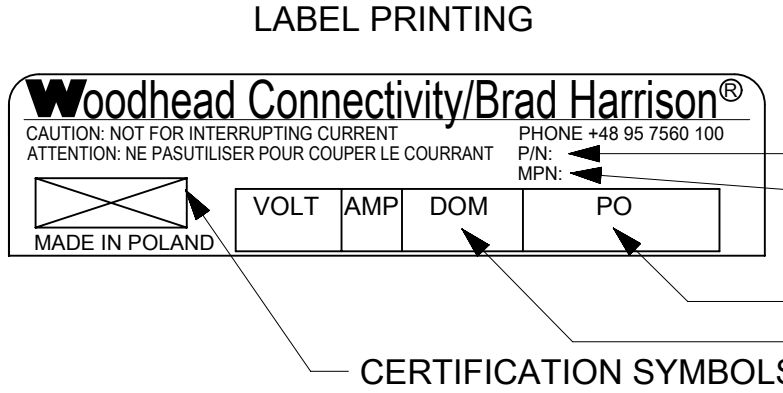
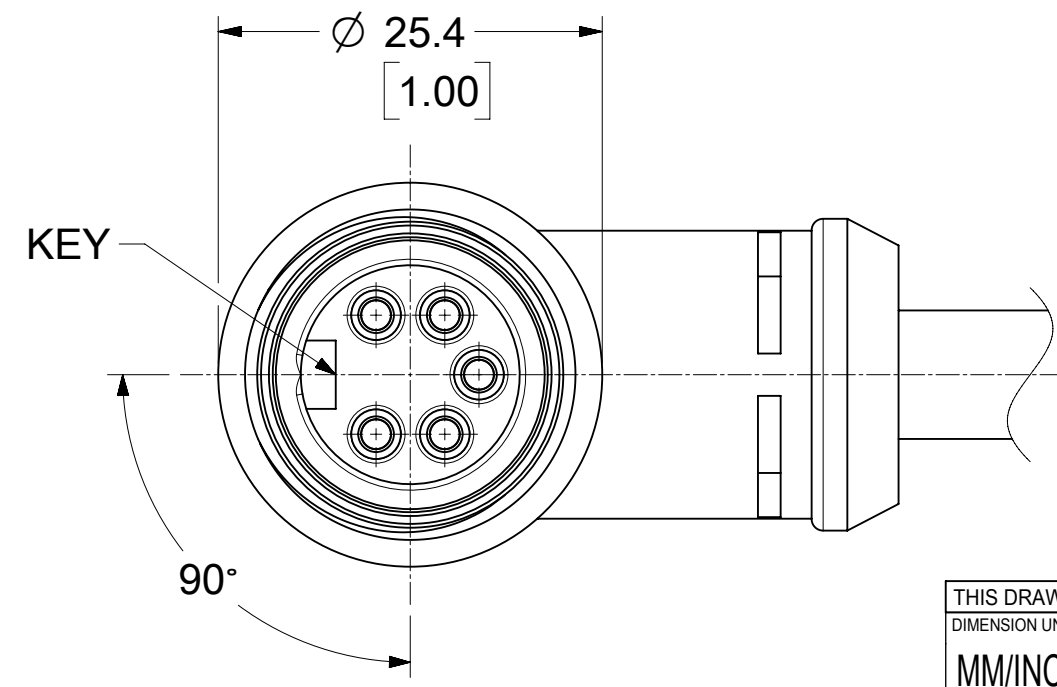
NOTES:

- MATERIAL: AS NOTED
- FINISH: AS NOTED
- ELECTRICAL:
VOLTAGE RATING: 600 V
CURRENT RATING: 10 A
- TEMPERATURE RATING:
STATIC: -40 °C TO 90 °C
DYNAMIC: -25 °C TO 80 °C
- PROTECTION: IP67 (WHEN MATED)
- UL CERTIFICATION: UL LISTED, FILE NO. E152210
- COUPLING THREAD: 7/8"-16UN
- ALL DIMS ARE FOR REFERENCE UNLESS TOLERANCED OR NOTED OTHERWISE
- LABEL PRINTING ACC. STANDARD LABEL INSTRUCTION



CABLE LENGTH TOLERANCES

<.3M [1FT]:	+19mm-0 [+.75in-0]
.3 - .9M [1 - 3FT]:	+44.5mm-0 [+1.75in-0]
.9 - 1.8M [3 - 6FT]:	+55.6mm-0 [+2.19in-0]
1.8 - 3.7M [6 - 12FT]:	+88.9mm-0 [+3.50in-0]
3.7 - 7.3M [12 - 24FT]:	+165.1mm-0 [+6.50in-0]
7.3-14.6M [24 - 48FT]:	+317.5mm-0 [+12.50in-0]
14.6 - 30.5M [48-100FT]:	+622.3mm-0 [+24.50in-0]
OVER 30M [100FT]	+2% OF FINISHED LENGTH



ENGINEERING NO.
MOLEX PN

PO NO.
PRODUCT. DATE

BILL OF MATERIAL

ITEM	DESCRIPTION	MATERIAL	FINISH
6	LABEL	VINYL	BLACK/YELLOW
5	OVERMOLD	TPE	BLACK
4	COUPLING NUT	ZINC DIE CAST	BLACK E-COAT
3	PIN CONTACT	Cu ALLOY	GOLD OVER NICKEL
2	MALE INSERT	TPE	BLACK
1	#16-5 CABLE, WELD SLAG RESISTANT	TPU JACKET	GREY
	ITEM DESCRIPTION	MATERIAL	FINISH

THIS DRAWING CONTAINS INFORMATION THAT IS PROPRIETARY TO MOLEX ELECTRONIC TECHNOLOGIES, LLC AND SHOULD NOT BE USED WITHOUT WRITTEN PERMISSION

DIMENSION UNITS MM/INCH	SCALE 2:1	CURRENT REV DESC: NOTES UPDATED, LABEL PRINTING ADDED	molex				
GENERAL TOLERANCES (UNLESS SPECIFIED)		EC NO: 747270				CSE MC 5P A-SIZE MA RA WSOR XM SE	
4 PLACES ±	±	DRWN: RSCHIEBER	2023/04/18				
3 PLACES ±	±	CHK'D: RSILLER	2023/04/27				
2 PLACES ±	±	APPR: RSILLER	2023/04/27				
1 PLACE ±	±	INITIAL REVISION:					
0 PLACES ±	±	DRWN: RSTONE	2019/08/20				
ANGULAR TOL ± °	± °	APPR: BWOODMAN	2019/08/28				
DRAFT WHERE APPLICABLE MUST REMAIN WITHIN DIMENSIONS		THIRD ANGLE PROJECTION	DRAWING	SERIES	MATERIAL NUMBER	CUSTOMER	SHEET NUMBER
			C-SIZE	130006	SEE TABLE	GENERAL MARKET	1 OF 1