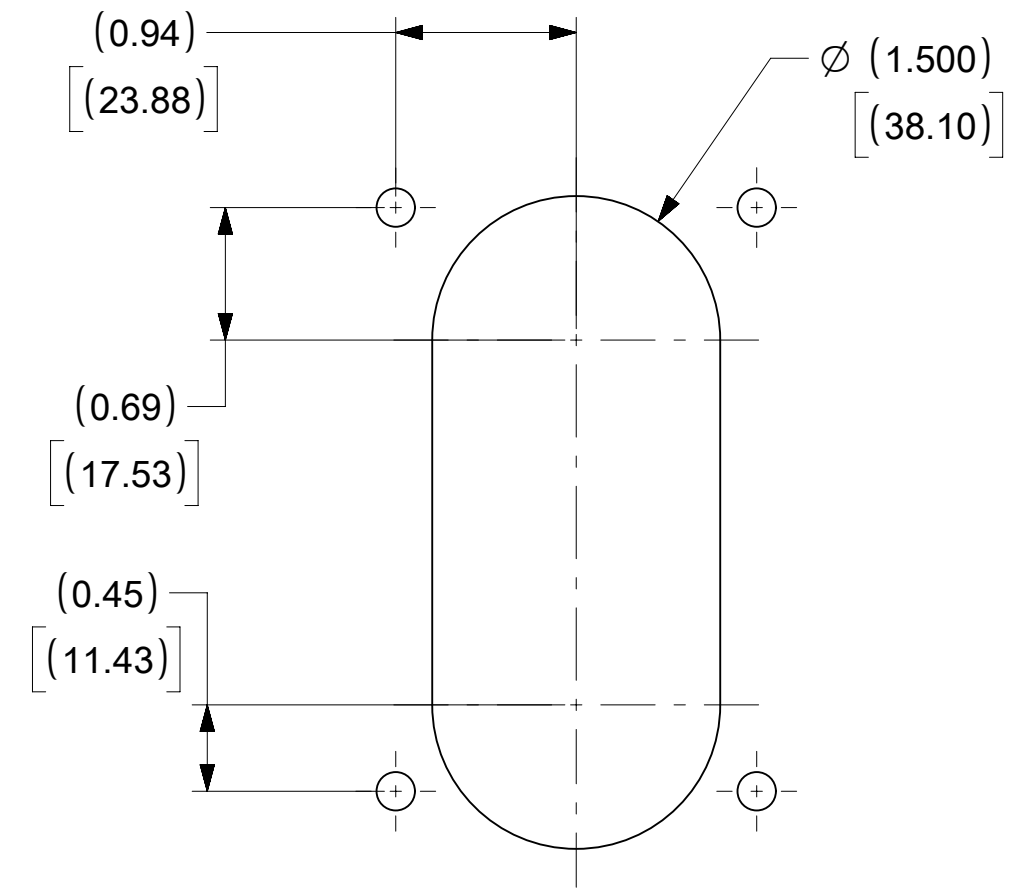
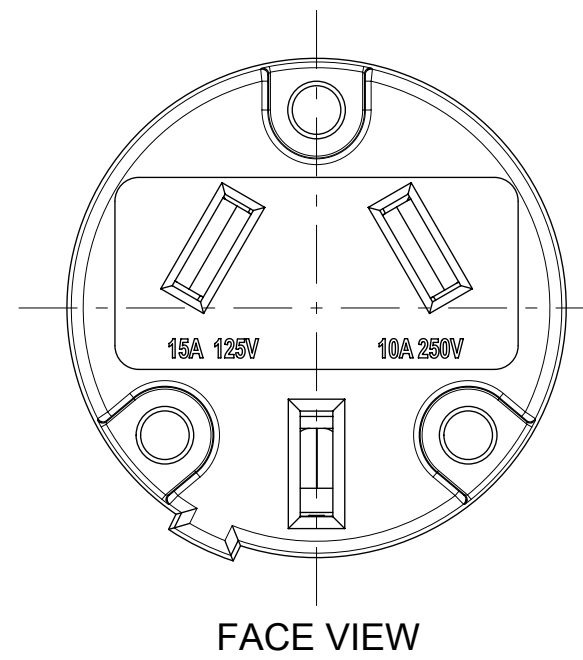
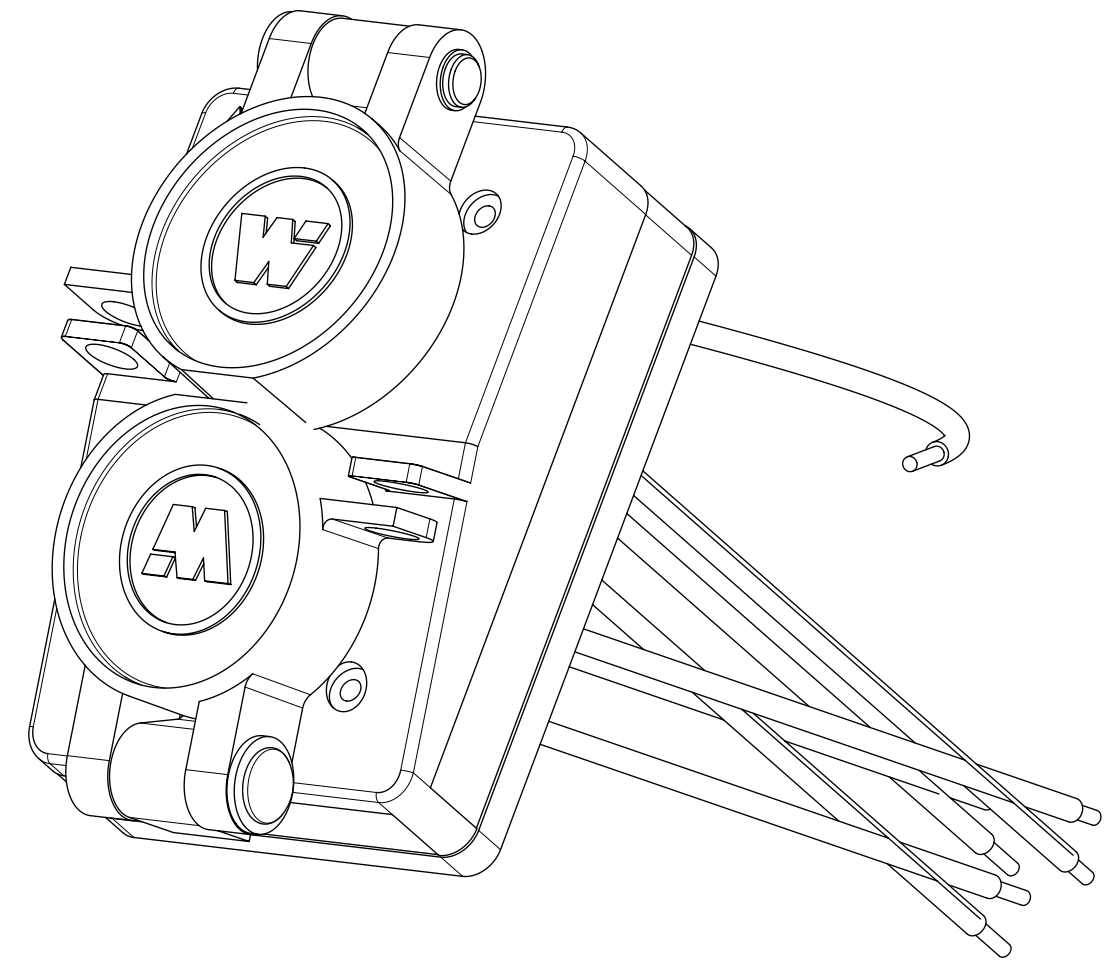
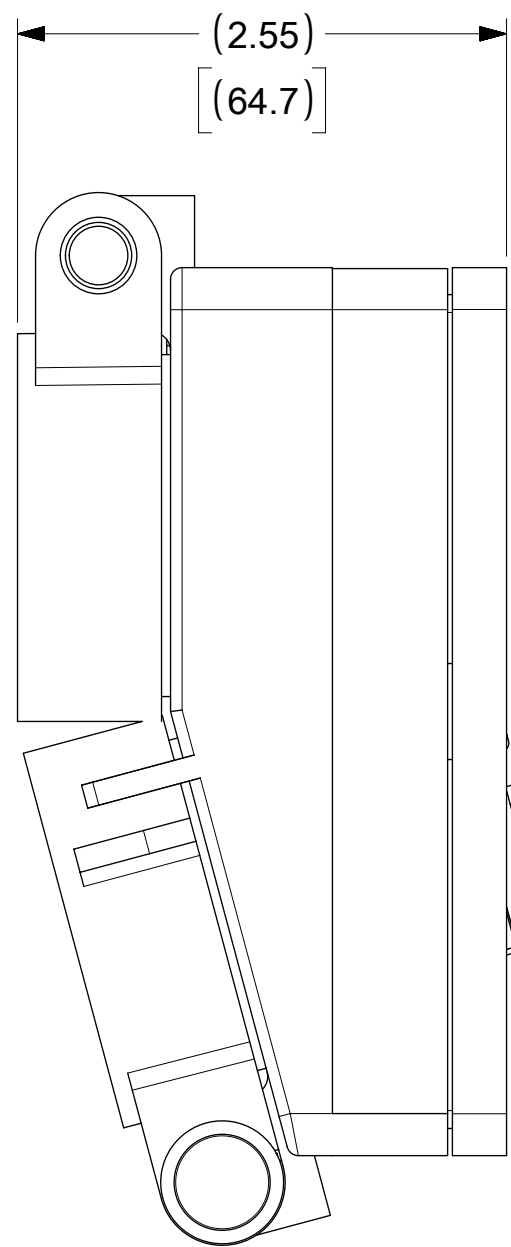
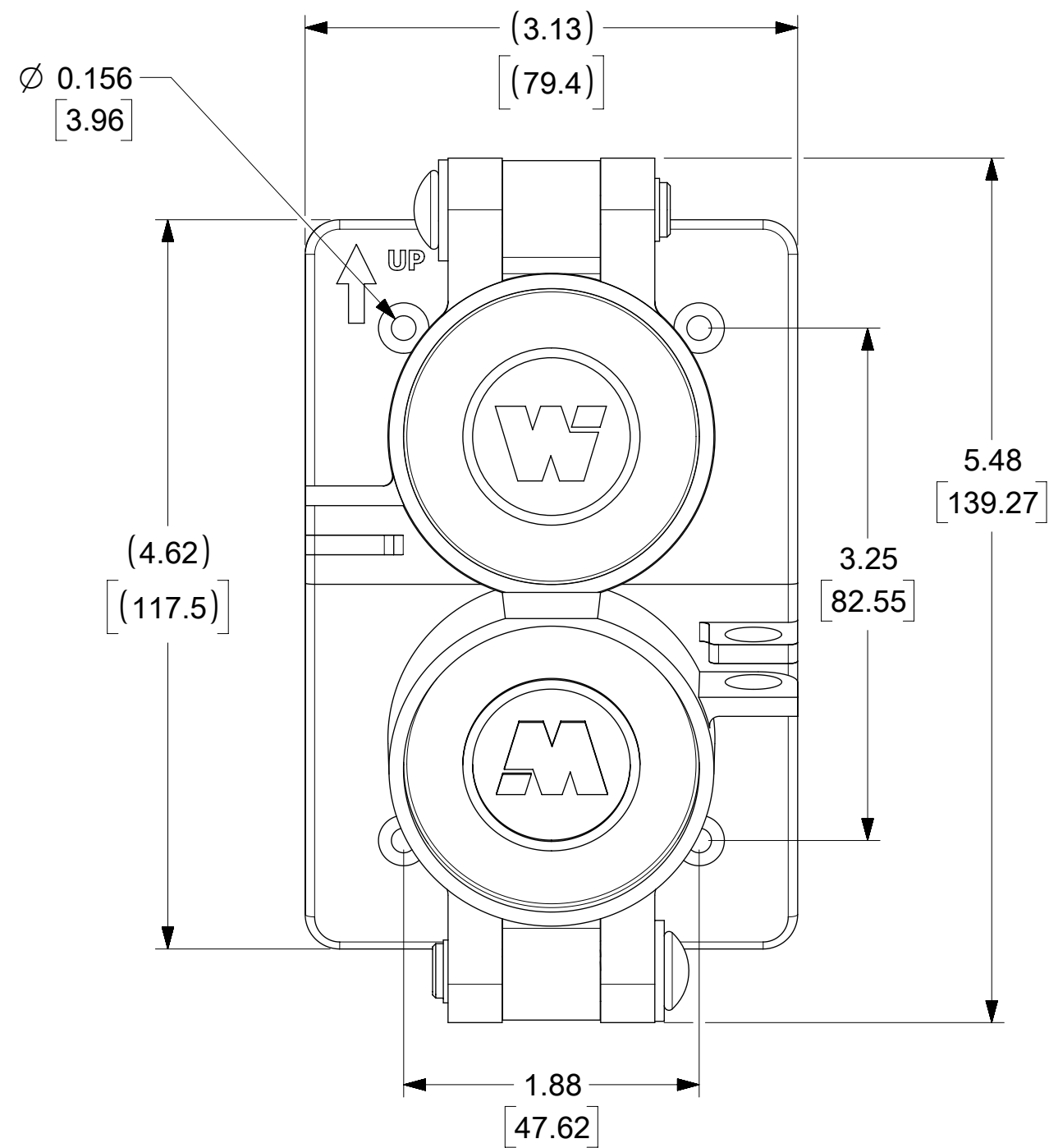


ORDER NO.	WOODHEAD NO.	COLOR
130146-0122	60W07DPLX	YELLOW



DESCRIPTION	MATERIAL	QTY.
RETAINING SCREWS	STAINLESS STEEL	6
INSERT ASSY	NYLON, BRASS, NICKEL & ZINC PLATED	2
GASKET	NEOPRENE	1
BASE PLATE	POLYCARBONATE	1
COVER FLIP LID	POLYCARBONATE	2
COVER PLATE	STAINLESS STEEL	1
SCREW (GROUND WIRE)	STAINLESS STEEL	1
FLAT WASHER	STAINLESS STEEL	2
RIVET	ALUMINUM	2
TORSION SPRING	STAINLESS STEEL WIRE	2
WASHER	STAINLESS STEEL	2
DOME PUSH CAP	STAINLESS STEEL	2
JUMPER WIRE ASSY	COPPER, BRASS (TINNED FINISH)	1
#12-1 BLACK WIRE	COPPER WIRE	2
#12-1 RED WIRE	COPPER WIRE	2
#12-1 GREEN WIRE	COPPER WIRE	2

SYMBOLS	THIS DRAWING CONTAINS INFORMATION THAT IS PROPRIETARY TO MOLEX ELECTRONIC TECHNOLOGIES, LLC AND SHOULD NOT BE USED WITHOUT WRITTEN PERMISSION		
	DIMENSION UNITS	SCALE	CURRENT REV DESC: MIGRATE TO NX/ECTR
▽ = 0	INCH[MM]	NTS	EC NO: 613506 DRWN: SRPATIL 2019/01/04 CHK'D: DNGUYEN62 2019/03/12 APPR: HKNEELAND 2019/03/13
▽ = 0	GENERAL TOLERANCES (UNLESS SPECIFIED)		
▽ = 0		MM INCH	INITIAL REVISION: DRWN: SRPATIL 2019/01/04 APPR: HKNEELAND 2019/03/13
▽ = 0	4 PLACES ±	±	
▽ = 0	3 PLACES ±	±	SERIES 130146
▽ = 0	2 PLACES ±	±	
▽ = 0	1 PLACE ±	±	SHEET NUMBER 1 OF 1
▽ = 0	0 PLACES ±	±	
▽ = 0	ANGULAR TOL ± °		MATERIAL NUMBER SEE TABLE
▽ = 0	DRAFT WHERE APPLICABLE MUST REMAIN WITHIN DIMENSIONS		
	THIRD ANGLE PROJECTION	DRAWING	CUSTOMER GENERAL MARKET
		C-SIZE	DOC TYPE PSD
			DOC PART 000
			REVISION A

DOCUMENT STATUS	P1	RELEASE DATE	2019/03/13 15:00:01
-----------------	----	--------------	---------------------