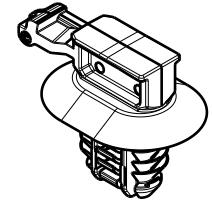


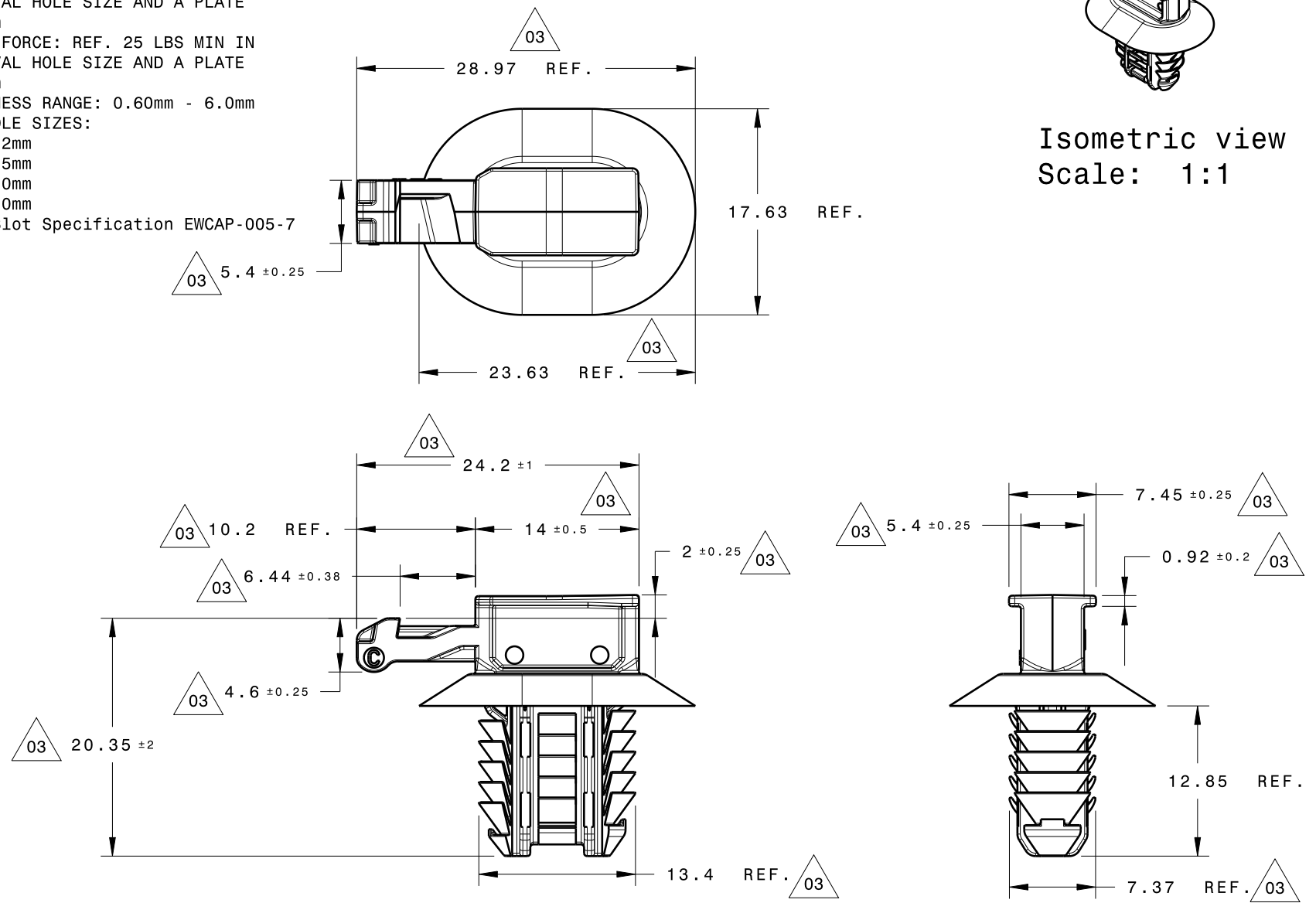
REFERENCE:

PERFORMANCE REQUIREMENTS AT DRY AS MOLDED:

1. FIR TREE PUSH IN FORCE: REF. 10 LBS MAX IN EACH APPLICABLE OVAL HOLE SIZE AND A PLATE THICKNESS OF 1.8mm
2. FIR TREE PULL OUT FORCE: REF. 25 LBS MIN IN EACH APPLICABLE OVAL HOLE SIZE AND A PLATE THICKNESS OF 1.8mm
3. SHEET METAL THICKNESS RANGE: 0.60mm - 6.0mm
4. APPLICABLE OVAL HOLE SIZES:
 - A. 6.2 X 12.2mm
 - B. 6.5 x 12.5mm
 - C. 6.5 x 13.0mm
 - D. 7.0 x 12.0mm
5. Meets USCAR Clip Slot Specification EWCAP-005-7



Isometric view
Scale: 1:1



I N V E N T O R S	HellermannTyton®		R E V I S I O N S	D level 03	D I M E N S I O N S	TOLEPRANCSSES		P A R T	number CCOVAL2 phase PRODUCTION		D R A W I N G	FORMAT AH CAD CATIA V5 SCALE 2:1	
	ALL PROPRIETARY RIGHTS IN THE SUBJECT MATTER SHOWN ON THIS DRAWING ARE EXCLUSIVE PROPERTY OF HELLERMANN TYTON			W by KVH		.XXXX = ± 0.25			name OVAL HOLE CONNECTOR CLIP #2			VERSION J	
	name S. ADAMS	date 10/7/11		city state MENOMONEE FALLS, WI.		N date 11/12/12	.XXX = ± 0.50					A- SIZE (landscape)_N01 previous drawing number	
	ECN # 012223	.XX = ± 1.00		G		.X = ± 2.00			drawn S. ADAMS P. TRAUTFIELD				
	part level C	.X = ± 1.00		N		∠ = ± 1.00			checked 10/8/11				
		units millimeters		G		material PA66HIRHS COLOR: BLACK		approved					
						type CUSTOMER sheet 1 of 1		number 11-0737-001-CSU					