

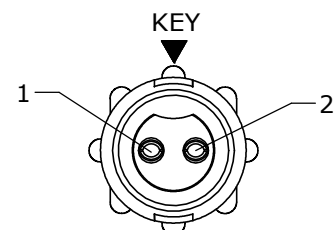
CUSTOMER PRINT

PART NUMBER: 18280-XSG-5XX

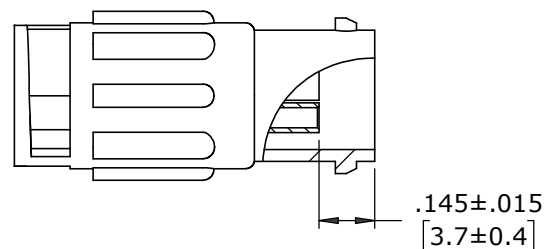
NOTES:

1. ALL PARTS TO BE BULK PACKED
2. CONTACTS SUPPLIED UNASSEMBLED.
3. ALL DIMENSIONS ARE REFERENCE EXCEPT THOSE WITH A TOLERANCE

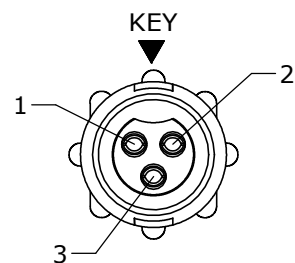
ASS'Y P/N	NO. OF CONTACTS	GROMMET FOR CABLE O.D.
18280-2SG-518	2	.180 GROMMET I.D. FOR CABLE O.D. .175-.185 [4.4-4.7mm]
18280-2SG-521		.210 GROMMET I.D. FOR CABLE O.D. .205-.215 [5.2-5.5mm]
18280-2SG-522		.220 GROMMET I.D. FOR CABLE O.D. .215-.225 [5.5-5.7mm]
18280-3SG-518	3	.180 GROMMET I.D. FOR CABLE O.D. .175-.185 [4.4-4.7mm]
18280-3SG-521		.210 GROMMET I.D. FOR CABLE O.D. .205-.215 [5.2-5.5mm]
18280-3SG-522		.220 GROMMET I.D. FOR CABLE O.D. .215-.225 [5.5-5.7mm]



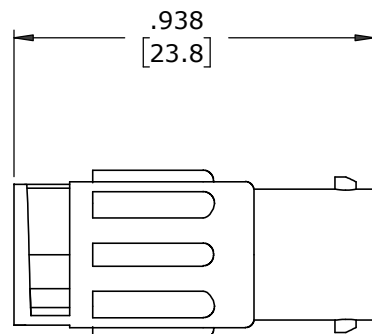
FACE VIEW
18280-2SG-5XX



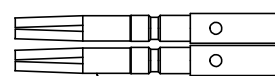
CONTACT POSITIONING FOR CUSTOMER REFERENCE



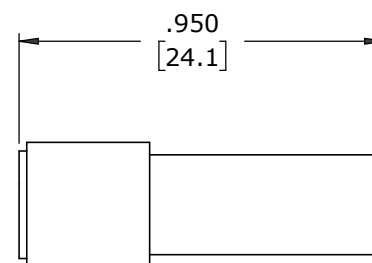
FACE VIEW
18280-3SG-5XX



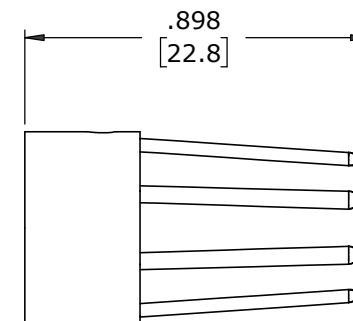
IN-LINE CONNECTOR, MALE
MAT'L: NYLON, BLACK
NO. OF CONTACTS: SEE CHART



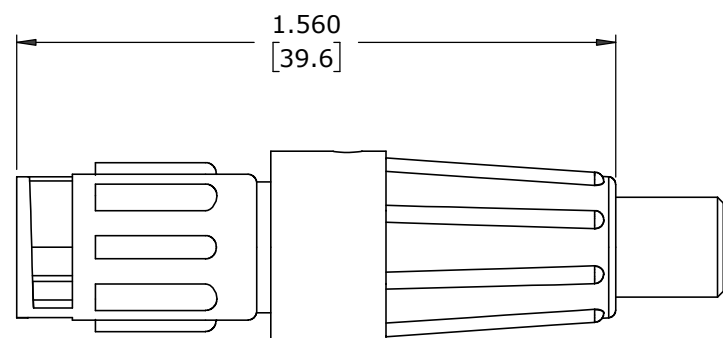
(2-3) #20 PIN CONTACTS
MAT'L: GOLD PLATED
COPPER ALLOY



GROMMET
MAT'L: RUBBER, BLACK
GROMMET SIZE: SEE CHART



BACKSHELL
MAT'L: NYLON, BLACK



KIT SHOWN ASSEMBLED
FOR CUSTOMER REFERENCE ONLY

DIMENSIONS IN BRACKETS [] ARE METRIC

CUSTOMER APPROVAL

THIS DOCUMENT CONTAINS CONFIDENTIAL INFORMATION PROPRIETARY TO CONXALL CORPORATION. ANY REPRODUCTION, DISCLOSURE, OR USE OF THIS DOCUMENT /INFORMATION IS EXPRESSLY PROHIBITED UNLESS AUTHORIZED IN WRITING BY CONXALL CORPORATION.

APPROVED BY: _____
DATE: _____

RoHS COMPLIANT

A	SS	06-25-21	DRAWING CREATED PER DOR 15-E253SL #46
REV.	INIT.	DATE	DESCRIPTION
	SS	06-25-21	ORIG. DRAWN BY: DATE: SS 06-25-21
ALL INFORMATION ILLUSTRATED IS THE PROPERTY OF "CONXALL CORPORATION". UNAUTHORIZED DUPLICATION OR DISTRIBUTION OF THIS DOCUMENT IS PROHIBITED.			<p>601 E. WILDWOOD VILLA PARK, IL 60181</p>
ALL UNITS ARE IN FEET, INCHES, FRACTION OF INCHES AND DECIMALS.			
APPROVED BY:		TITLE:	
SCALE: NTS		IN-LINE CONNECTOR KIT (2-3) #20 SOCKET CONTACTS MICRO-CON-X STANDARD PRODUCT	
SIZE: B		CUSTOMER: STANDARD PRODUCT	
SHEET: 1 OF 1		PART NUMBER: 18280-XSG-5XX	
FILE: 18280-XSG-5XX		REV: A	
DIRECTORY: SLW			