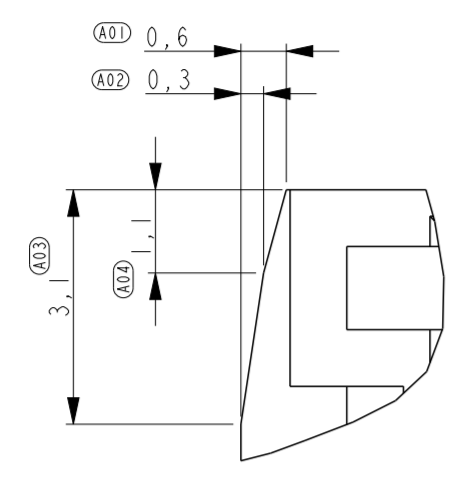
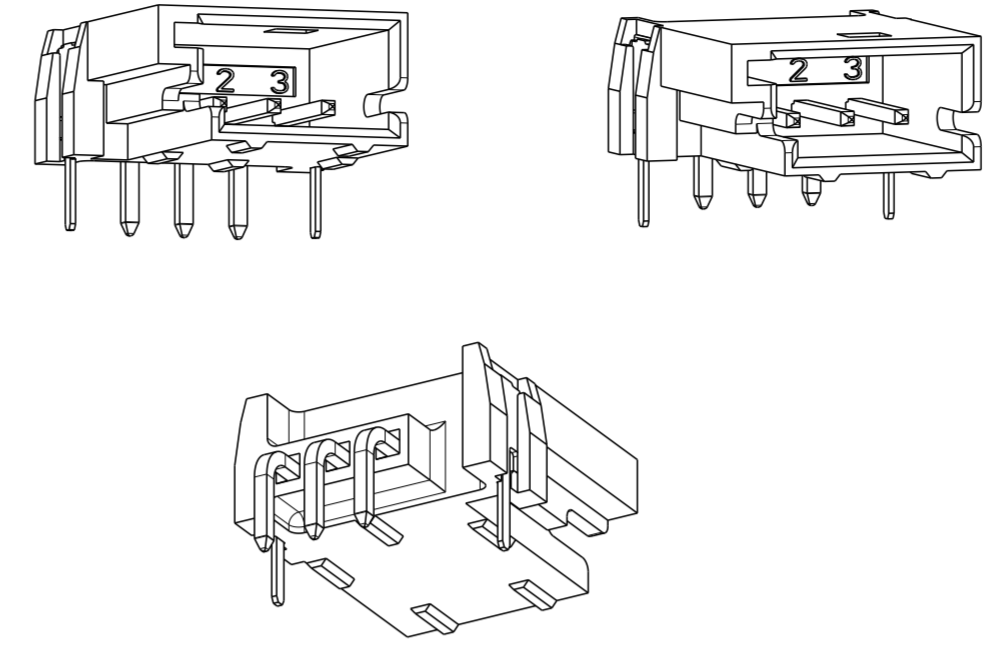
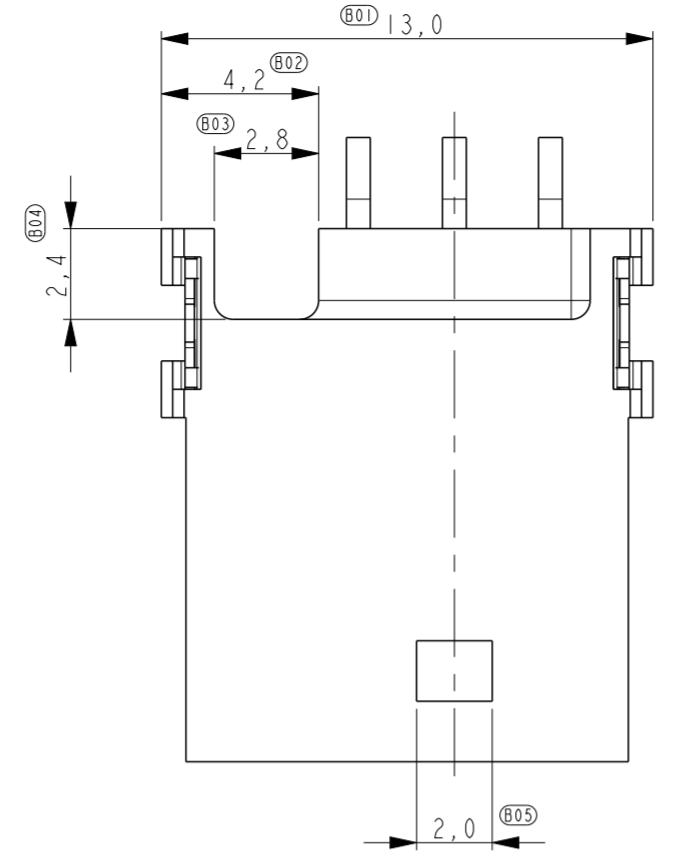


THIS DRAWING IS UNPUBLISHED. RELEASED FOR PUBLICATION
 © COPYRIGHT - ALL RIGHTS RESERVED.

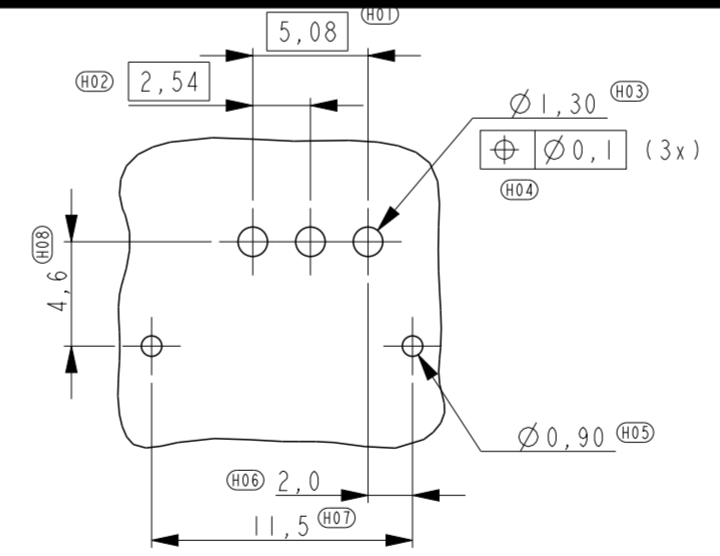
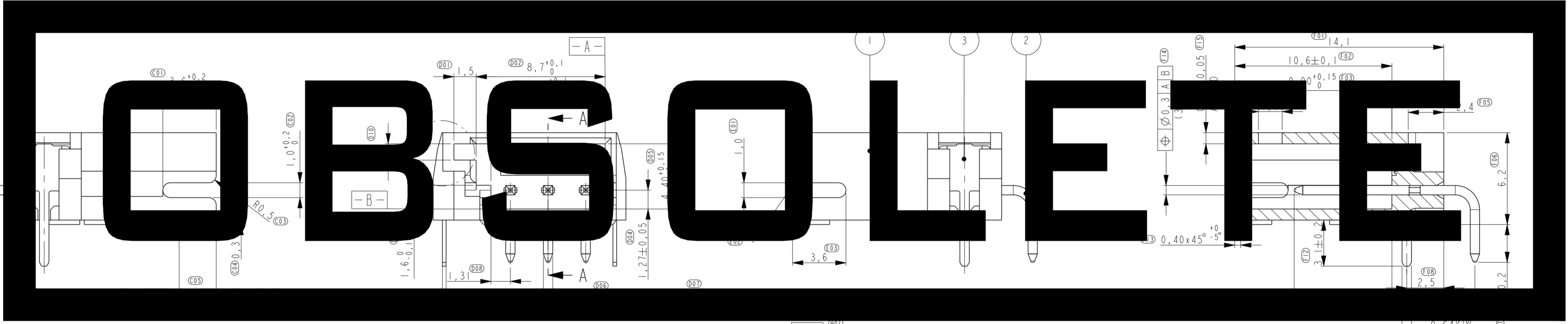
REVISIONS				
P	LTR	DESCRIPTION	DATE	APVD
	F1	ECR-13-001688	29JAN2013	GG RRP



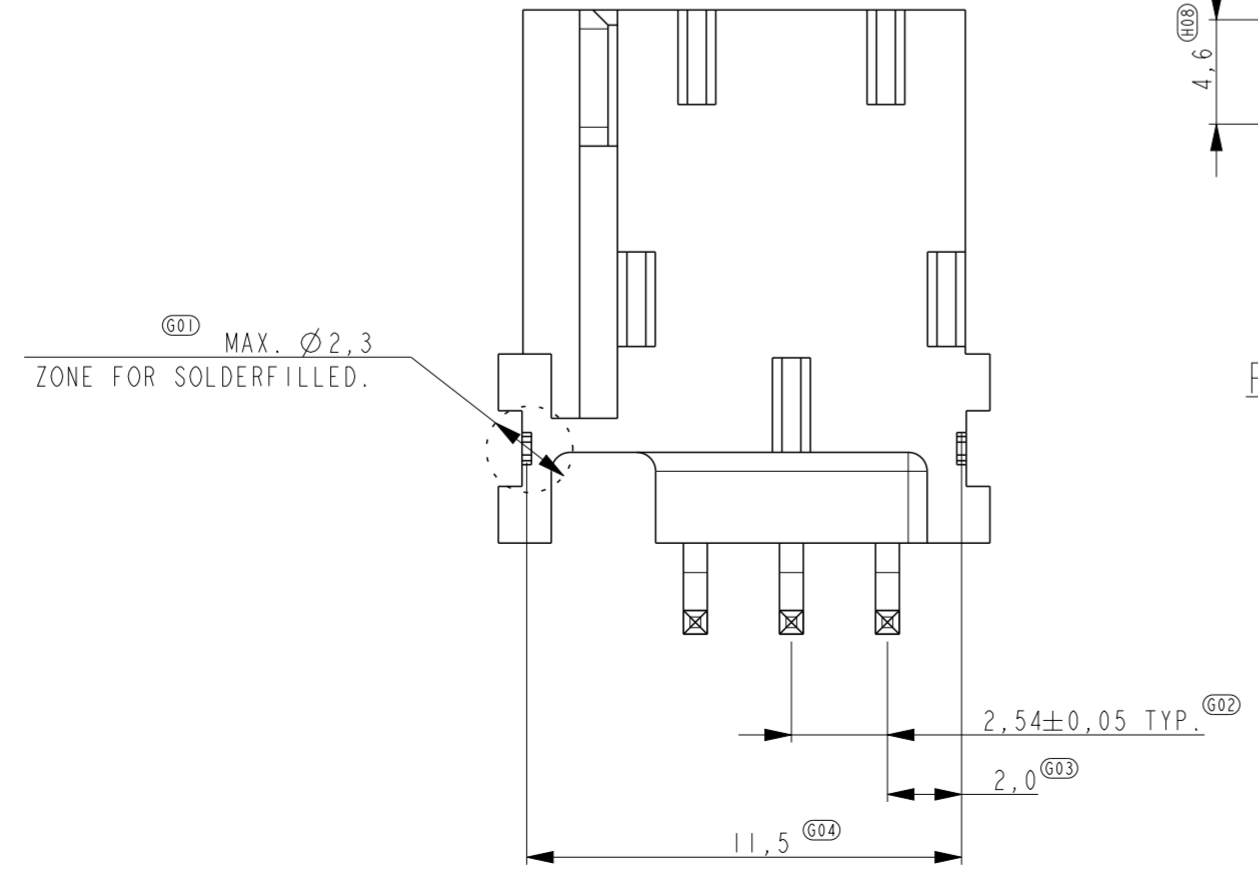
DETAIL Z
SCALE 10:1



NOTE:
 1. ALL RADII R0,2 EXCEPT AS NOTED.
 2. PACKING:
 1857167-1 - TRAY PACKED
 1857167-2 - TAPE AND REEL PACKAGING ACCORDING TO EIA-481



PCB LAYOUT 3 POS
SCALE 3:1



SECTION A-A

1857167-1 AS SHOWN

FINISH	MATERIAL	DESCRIPTION	FG PART NUMBER
Tin and Nickel	CuZn	BOARDLOCK	
Tin and Nickel	CuFe2p	CONTACT	1857167-2
-	LCP GF 30%	HOUSING	
Tin and Nickel	CuZn	BOARDLOCK	
Tin and Nickel	CuFe2p	CONTACT	1857167-1
-	PA 4.6 30% GF	HOUSING	

THIS DRAWING IS A CONTROLLED DOCUMENT.

DIMENSIONS:	TOLERANCES UNLESS OTHERWISE SPECIFIED:	DWN	06 JUL 05
mm	0 PLC ±	CHK	03 FEB 2006
	1 PLC ±0,1	APVD	06 JUL 05
	2 PLC ±0,05	PRODUCT SPEC	
	3 PLC ±	APPLICATION SPEC	
	4 PLC ±	WEIGHT	
	ANGLES ±	CUSTOMER DRAWING	
	FINISH ±	SCALE	5:1

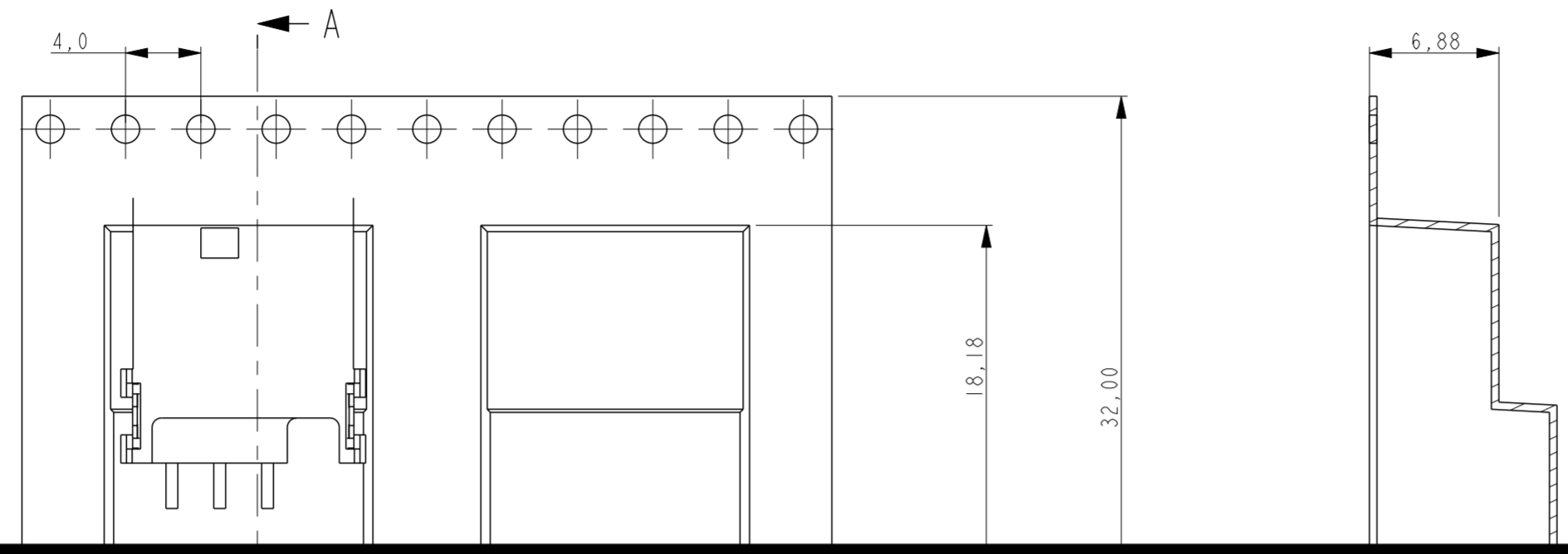
NAME: PIN HEADER 3 POSITION TYPE A

SIZE: A2 CAGE CODE: 00779 DRAWING NO: 1857167 RESTRICTED TO: -

SHEET 1 OF 2 REV F2

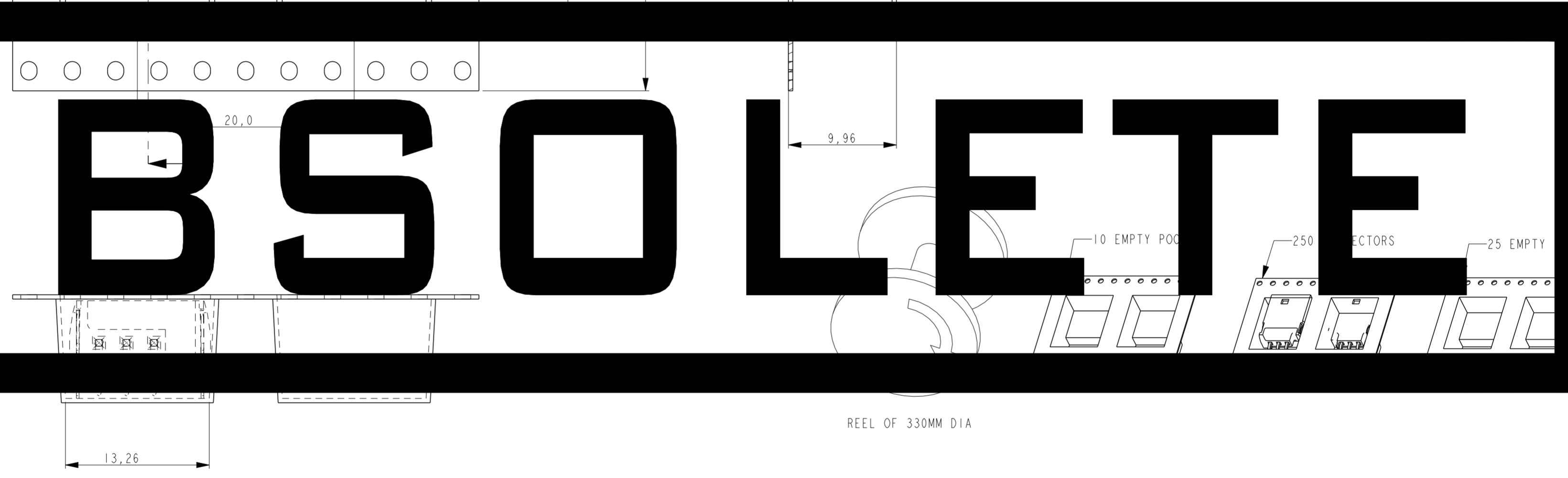
THIS DRAWING IS UNPUBLISHED. RELEASED FOR PUBLICATION
 © COPYRIGHT - ALL RIGHTS RESERVED.

LOC	DIST	REVISIONS			
P	LTR	DESCRIPTION	DATE	DWN	APVD
		SEE SHEET 1			




SECTION A-A

OBSOLETE



REEL OF 330MM DIA

1857167-2 AS SHOWN

THIS DRAWING IS A CONTROLLED DOCUMENT.		DWN J.V.D. HEIJDEN 06 JUL 05	 TE Connectivity	
DIMENSIONS: mm		CHK D.CAMPSCHEER 03 FEB 2006		
TOLERANCES UNLESS OTHERWISE SPECIFIED:		APVD J.BROEKSTEEG 06 JUL 05	PRODUCT SPEC	SIZE A2
0 PLC ±		APPLICATION SPEC	CAGE CODE 00779	DRAWING NO C-1857167
1 PLC ±0,1		WEIGHT	RESTRICTED TO	
2 PLC ±0,05		CUSTOMER DRAWING	SCALE 5:1	SHEET 2 OF 2
3 PLC ±			REV F2	
4 PLC ±				
ANGLES ±				
FINISH				