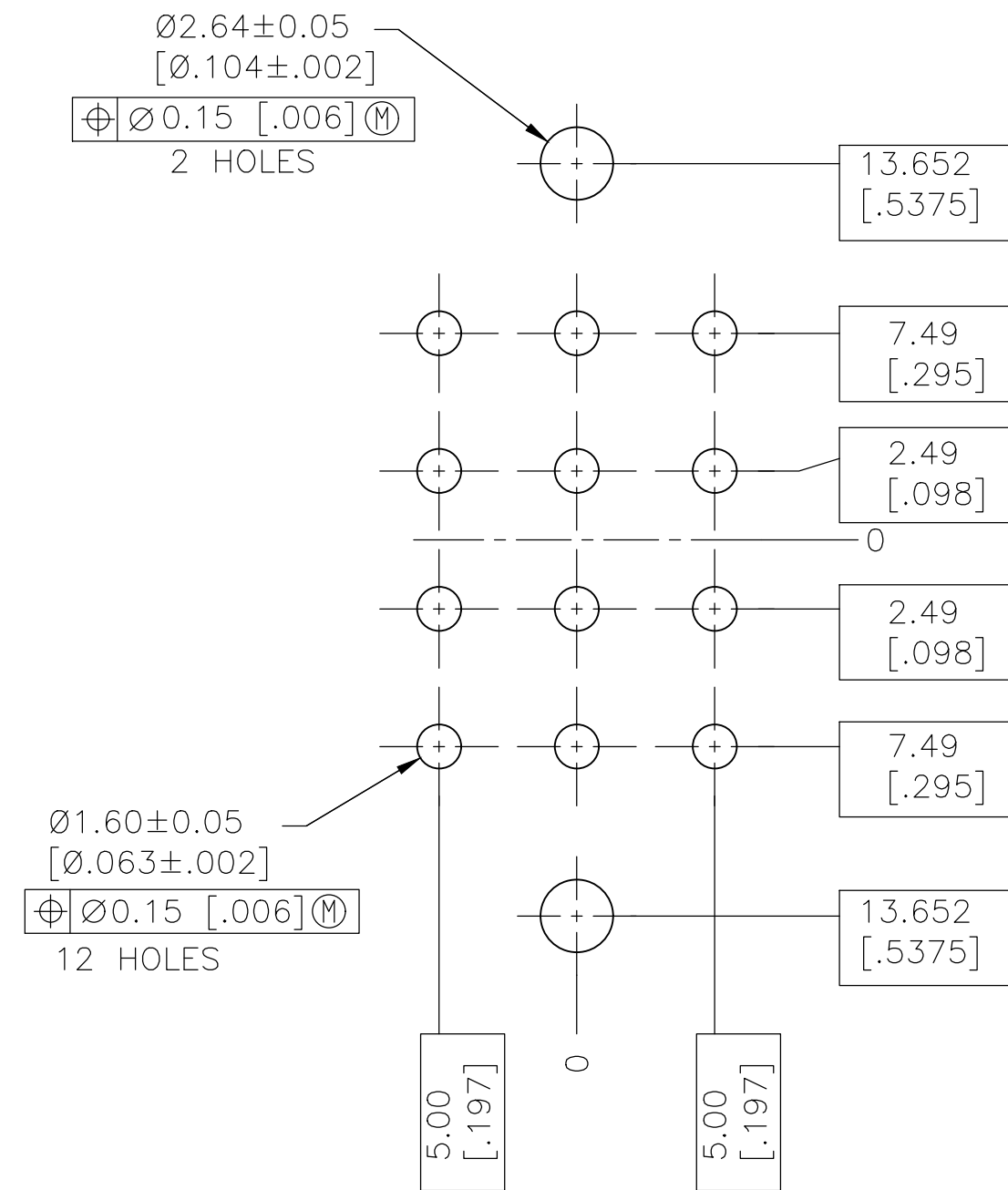
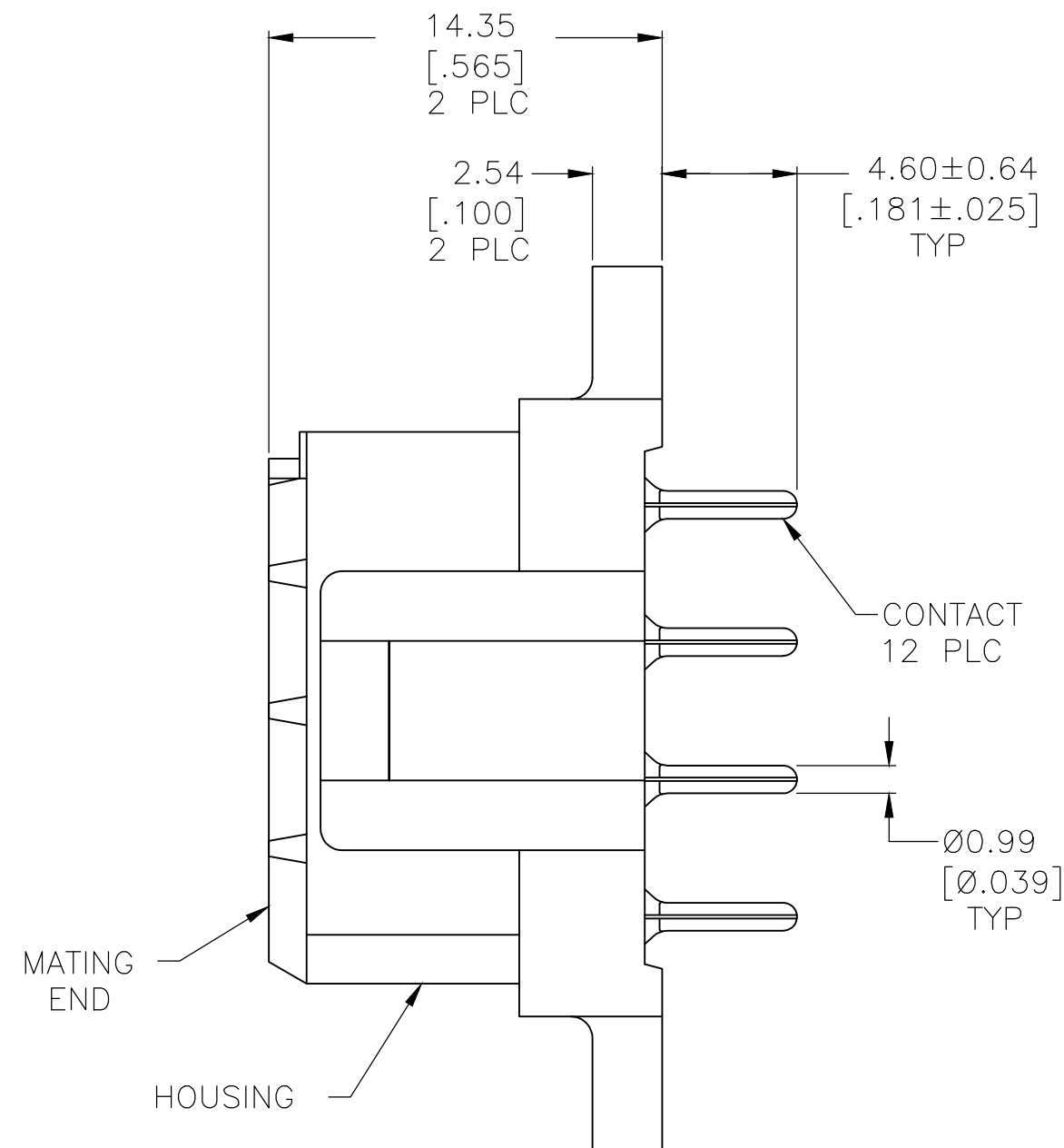
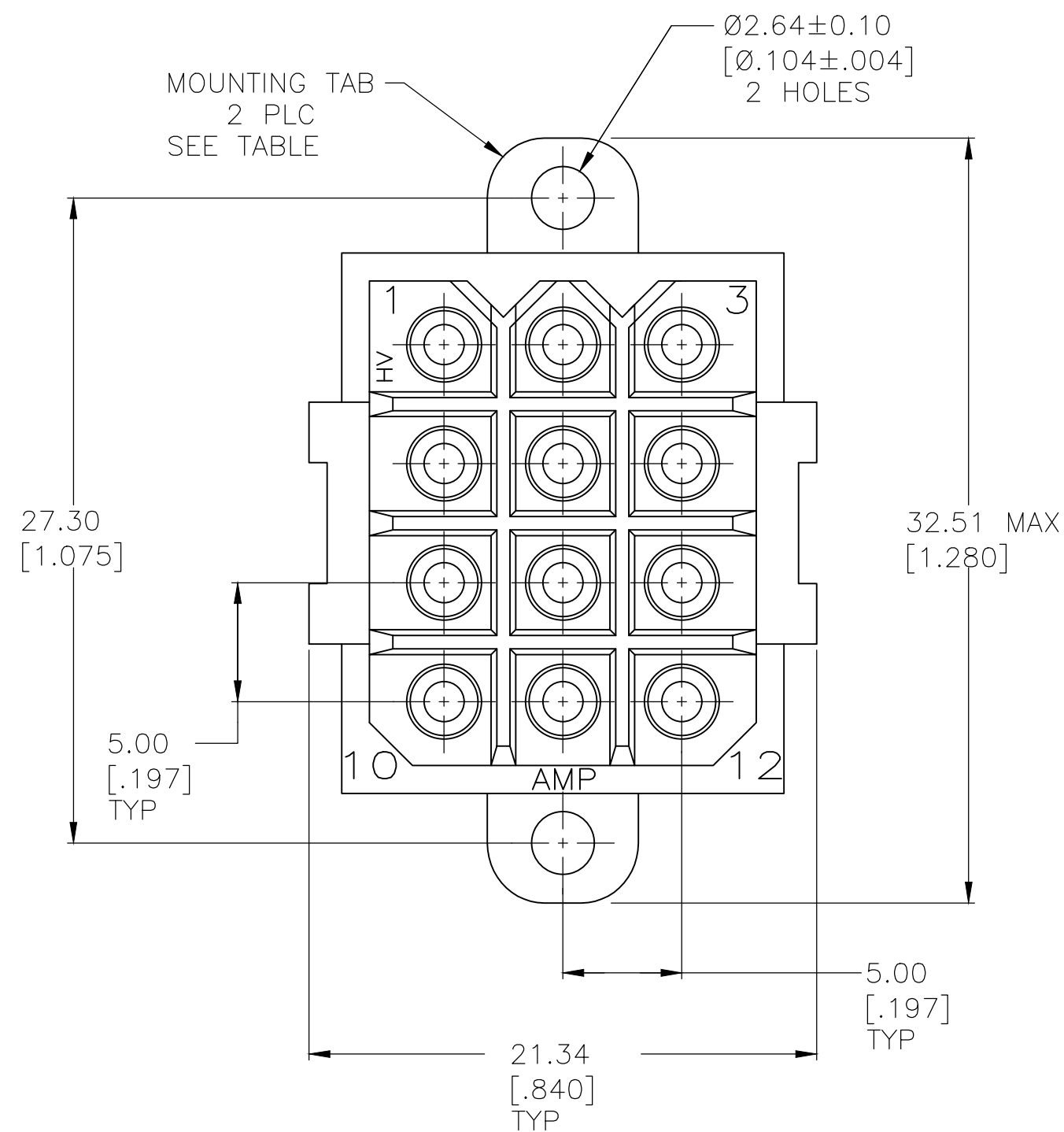


REVISIONS					
P	LTR	DESCRIPTION	DATE	DWN	APVD
M		REVISED PER ECO-16-004940	06AUG2016	NK	MZ
N		REVISED PER ECO-18-000441	24JAN2018	RS	MZ
P		REVISED PER ECO-20-002046	14FEB2020	RK	MZ



RECOMMENDED LAYOUT

- 1 HOUSING MATERIAL: PA66, BLACK, UL 94 V-0 RATED
- 2 CONTACT MATERIAL: PHOSPHOR BRONZE.
- 3 3.81um [.000150] MIN TIN-LEAD OVER 1.27um [.000050] MIN NICKEL.
- 4 0.76um [.000030] MIN GOLD FOR A LENGTH OF 4.95 [.195] MIN FROM MATING END, 3.81um [.000150] MIN TIN-LEAD FOR A LENGTH OF 4.88 [.192] MIN ON OPPOSITE END, BOTH OVER 1.27um [.000050] MIN NICKEL.
- 5 .000150 MIN TIN OVER .000050 MIN NICKEL.
- 6 0.76um [.000030] MIN GOLD FOR A LENGTH OF 4.95 [.195] MIN FROM MATING END, 3.81um [.000150] MIN TIN FOR A LENGTH OF 4.88 [.192] MIN ON OPPOSITE END, BOTH OVER 1.27um [.000050] MIN NICKEL.

6	NO	1-207528-0
6	YES	207528-9
5	NO	207528-8
5	YES	207528-7
4	NO	207528-4
4	YES	207528-3
3	NO	207528-2
3	YES	207528-1

THIS DRAWING IS A CONTROLLED DOCUMENT.		DWN	03/19/92	TE TE Connectivity	
		L.SIPE	3-25-92		
DIMENSIONS: INCHES		CHK	R.STONE	NAME SOCKET HEADER ASSEMBLY, 12 POSITION, METRIMATE	
TOLERANCES UNLESS OTHERWISE SPECIFIED:		APVD	A.TRAVIS		
0 PLC ± -		PRODUCT SPEC	108-10033	SIZE	A2
1 PLC ± -		APPLICATION SPEC	-	CAGE CODE	00779
2 PLC ± 0.25 [.010]		WEIGHT	-	DRAWING NO	C=207528
3 PLC ± -		CONTACT: SEE TABLE	-	RESTRICTED TO	-
4 PLC ± -				SCALE	4:1
ANGLES ± -				SHEET	1 of 1
MATERIAL SEE NOTE				REV	P
		CUSTOMER DRAWING			