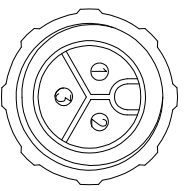
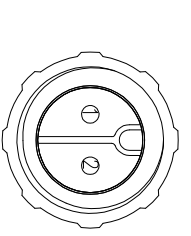
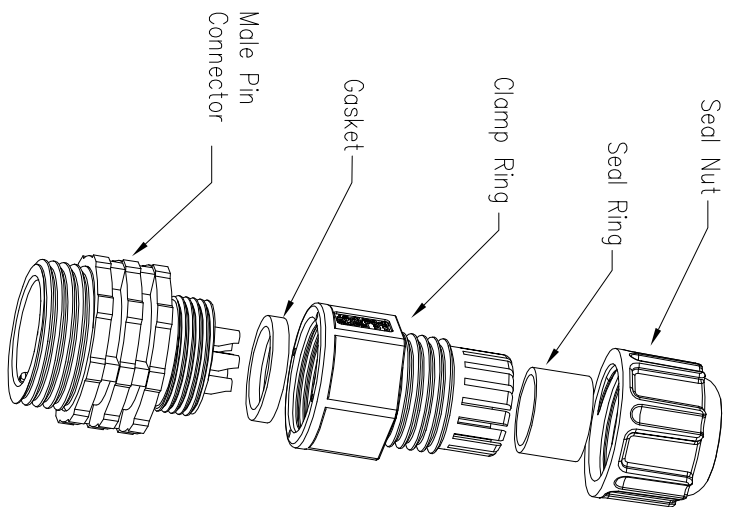
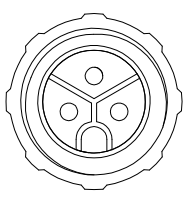
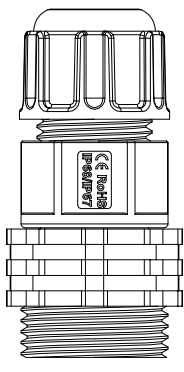
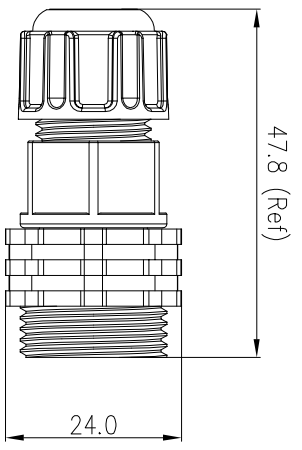


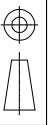
REV.	EN. NO.	DESCRIPTION	SIGN	DATE
C1	N/A	INITIAL DRAWING	Liu	2019/08/13



P/N: 23002311-XX P/N: 23003311-XX

Pin Assignments Front View

23XXX311-XX Cable Range OD
 01 OD: $\phi 3.5\text{mm} \sim \phi 6.5\text{mm}$
 02 OD: $\phi 6.5\text{mm} \sim \phi 9.5\text{mm}$
 Pin Number



UNIT: mm
 TOLERANCE
 X ± 0.25
 XX ± 0.15
 XXX ± 0.05
 ANGLES $\pm 1'$

DESCRIPTION
 Middle Series Screw
 Female Plug With Male Pin

SCALE: 1:1
 REV: C1 SIZE: A4
 SHEET: 1 OF 1
 * : Inspection Item

CHOGORI

PART NO
 23XXX311-XX

DWG NO
 CUSTOMER

DRAWN BY
 Liu

CHECKED BY
 Mo
 APPROVED BY
 Panson

DATE
 2019/08/13

DATE
 2019/08/13
 DATE
 2019/08/13

- Specification:
1. Operation Temperature: $-45^{\circ}\text{C} \sim 105^{\circ}\text{C}$.
 2. Insulation Resistance: $100\text{M}\Omega$ at DC500V.
 3. Contact Resistance: $<10\text{m}\Omega$
 4. Withstand Voltage: 2000V AC
 5. Operating Current: 20A
 6. Operating Voltage: AC 300V
 7. Waterproof Rate: IP67 (Mated)
 8. Seal Nut: Nylon, Black
 9. Seal Ring: Silicon, Black.
 10. Clamp Ring: Nylon, Black
 11. Gasket: Silicon, Red
 12. Male Pin: Copper Alloy, Gold Plated
 13. Connector: Nylon+GF, Black
 14. RoHS Compliant.
 15. UL Compliant.
 16. Mating Cap: 806-00052-00