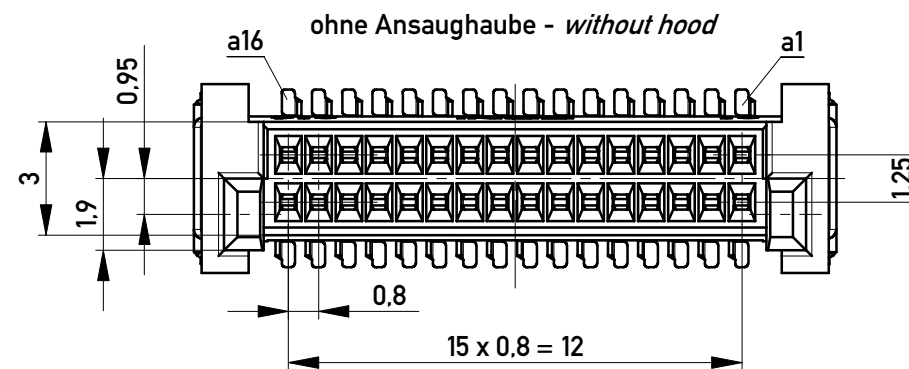
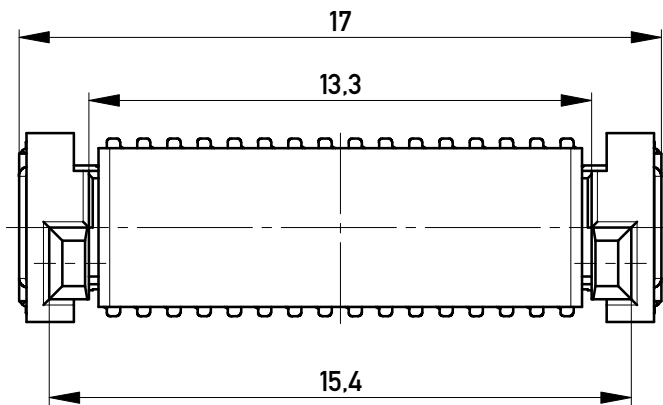
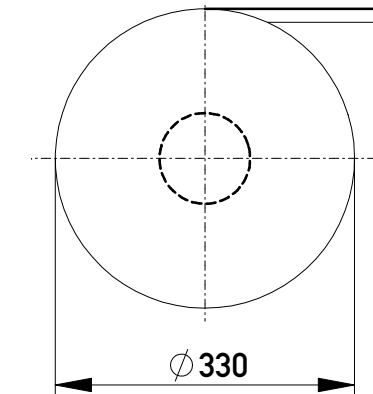
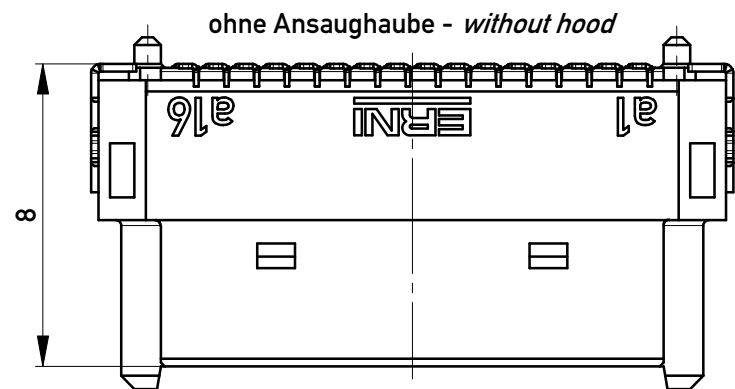


Verpackt im Gurt in Anlehnung an DIN IEC 60286-3
 Tape on Reel Packaging according to DIN IEC 60286-3
 Verpackungseinheit: 420 Stück
 Packaging unit: 420 pcs



Abspulrichtung - Reel off Direction

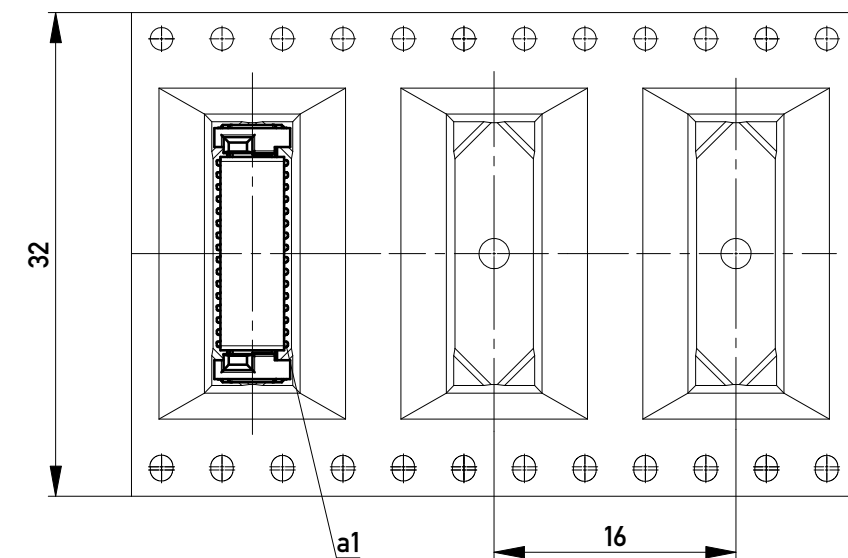


Anforderungsstufe 1
 Performance Level 1

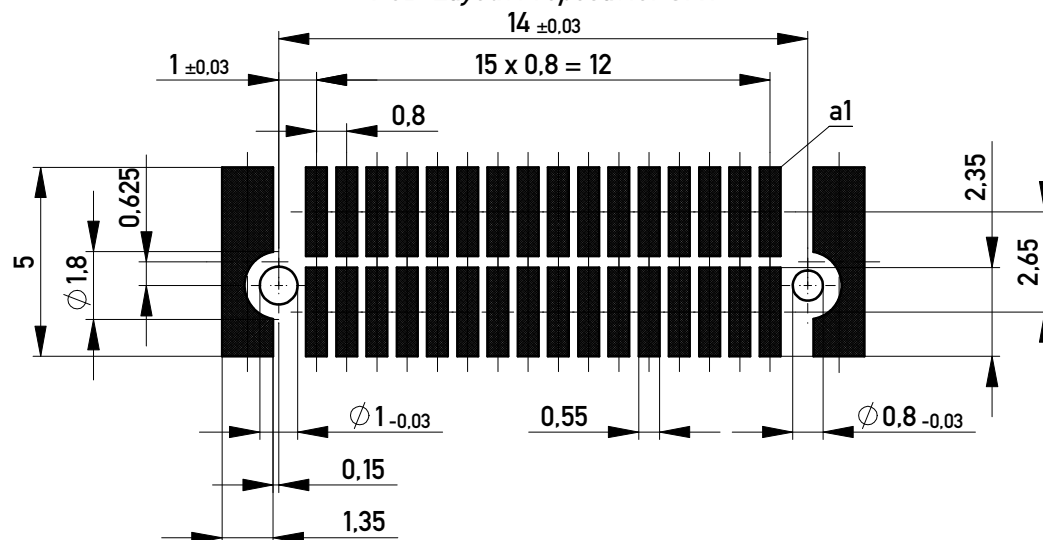
Kontaktbereich vergoldet
 Mating Area gold plating

Anschlussbereich verzinkt 4-6 µm
 Terminal Area 4-6 µm tin plating

Koplanarität der Anschlüsse ≤ 0,1 mm
 Coplanarity Area of Termination ≤ 0,1 mm



Leiterplatten-Layout Vorschlag für SMT
 PCB-Layout Proposal for SMT



Copyright by ERNI Production GmbH & Co. KG
 Proprietary notice pursuant to ISO 16016 to be observed.

Information:		Tolerances	Scale 5:1
All rights reserved. Only for Information. To ensure that this is the latest version of this drawing, please contact one of the ERNI companies before using.		All Dimensions in mm	Designation 0,8 DRC-B, F 8mm, 32 polig 0,8 DRC-B, F 8mm, 32 pin
Subject to modification without prior notice. Drawing will not be updated.		www.ERNI.com	294028
b	23.06.2016		I
Index	Date		A3
		Class	DRCB