

THIS DRAWING IS UNPUBLISHED.

RELEASED FOR PUBLICATION

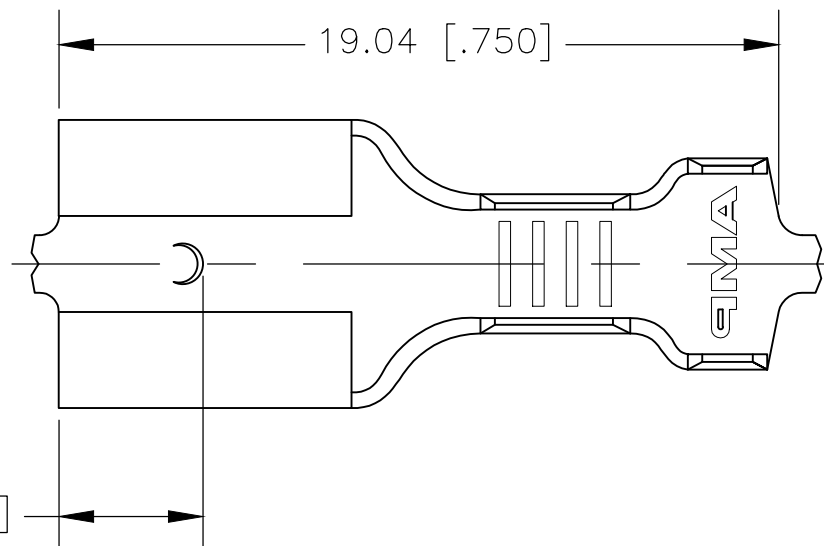
ALL RIGHTS RESERVED.

© COPYRIGHT - By -

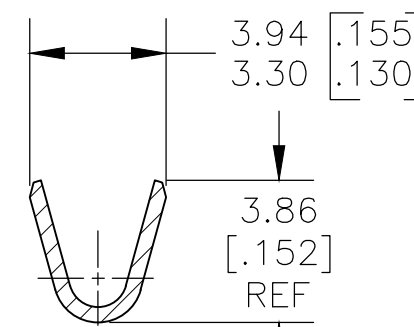
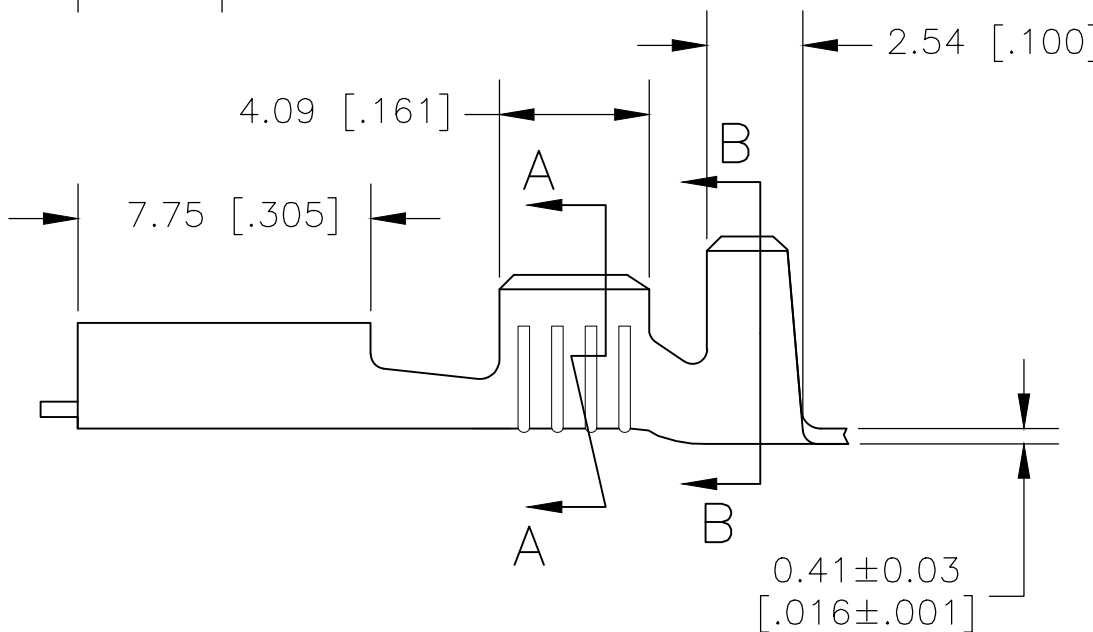
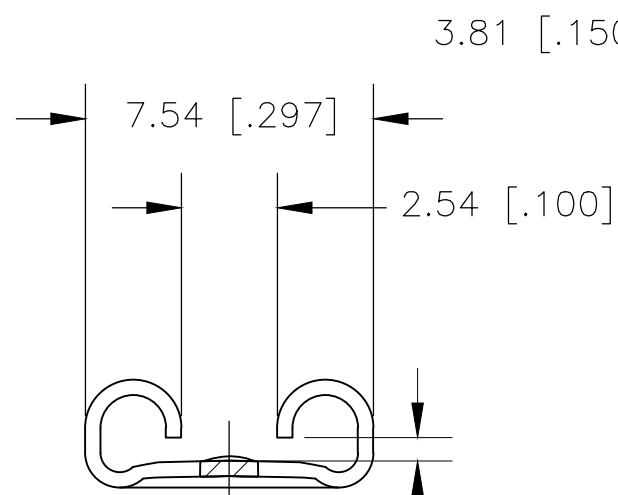
LOC AF DIST 50

REVISIONS

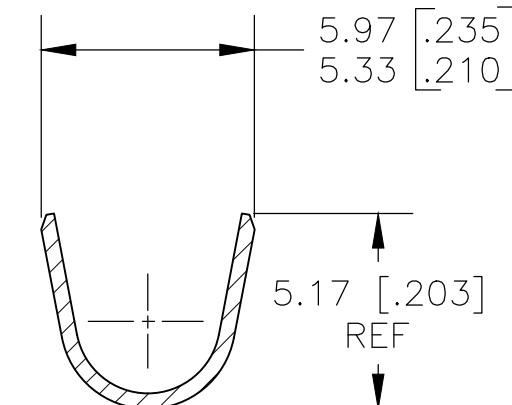
P	LTR	DESCRIPTION	DATE	DWN	APVD
	J	REVISED PER ECO-13-017339	05NOV13	JR	PD
	J1	REVISED PER ECR-20-009164	16JUL2020	MK	DH



- 1 CONTINUOUS STRIP ON REELS AT A FEED OF 21.33±0.13 [.840±.005].
- 2 MATING TAB THK IS 0.84-0.76 [.033-.030]
- 3 WIRE SIZE IS #18-#14 AWG
- 4 INSULATION RANGE IS 3.05-4.32 [.120-.170] DIA



SECTION A-A

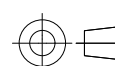


SECTION B-B

TIN	60650-2
-	60650-1
FINISH	PART NO

THIS DRAWING IS A CONTROLLED DOCUMENT.

DIMENSIONS:  
MM [INCHES]



TOLERANCES UNLESS OTHERWISE SPECIFIED:

0 PLC	± -
1 PLC	± -
2 PLC	± 0.38 [.015]
3 PLC	± -
4 PLC	± -
ANGLES	± 5°

MATERIAL

BRASS

FINISH

SEE TABLE

DWN jr\_ruth 30JAN08

CHK P\_DESANTIS 30JAN08

APVD P\_DESANTIS 30JAN08

PRODUCT SPEC

APPLICATION SPEC

WEIGHT -

CUSTOMER DRAWING



NAME RECEPTACLE, FASTON, .250 SERIES

SIZE A3 CAGE CODE 00779 DRAWING NO C-60650 RESTRICTED TO -

SCALE 5:1 SHEET 1 OF 1 REV J1