

# Product/Process Change Notice (PCN)



- Major change  
 Minor change

PCN #: ConUSB\_20141001  
Product Affected: 61400413321 / 61400414122  
Effective Date: January 1<sup>ST</sup>, 2015

- Product Mark  
 Date Code  
 Packaging  
 Others

Contact: Product Management

Attachment:  Yes  No

Tel: +49 7942 945-5001

Samples: No

Fax: +49 7942 945-5179

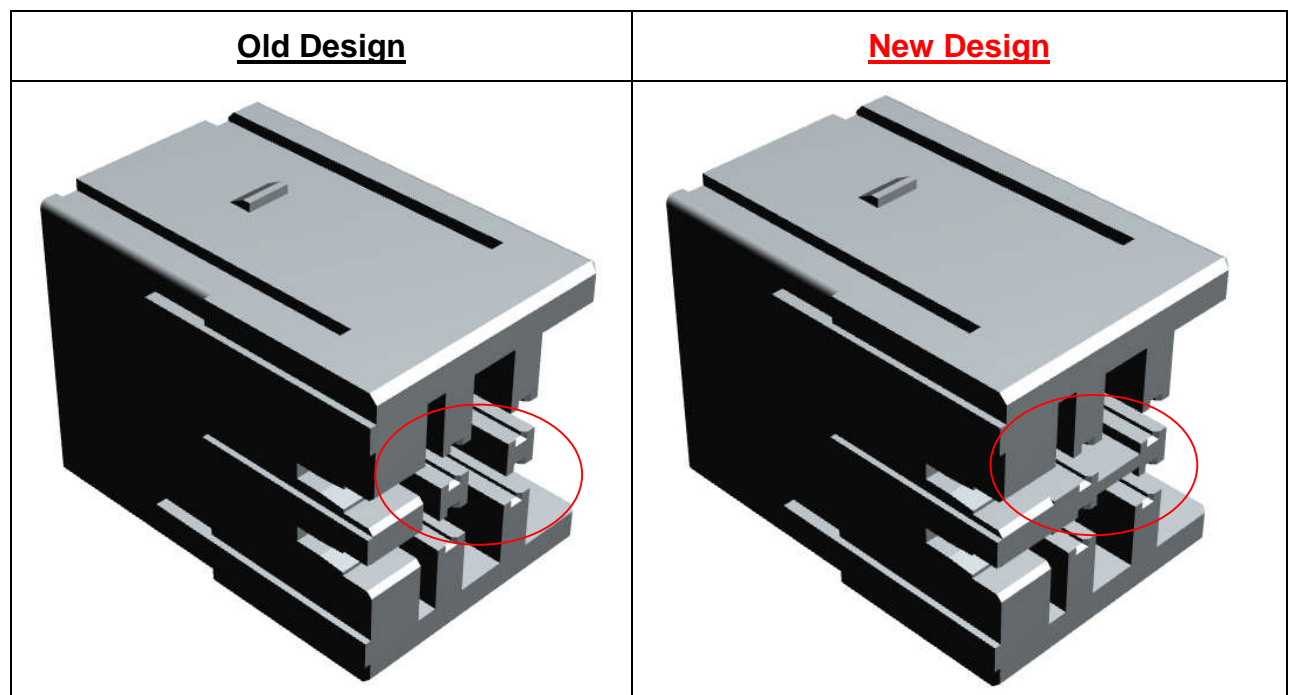
E-mail: [PCN.eican@we-online.de](mailto:PCN.eican@we-online.de)

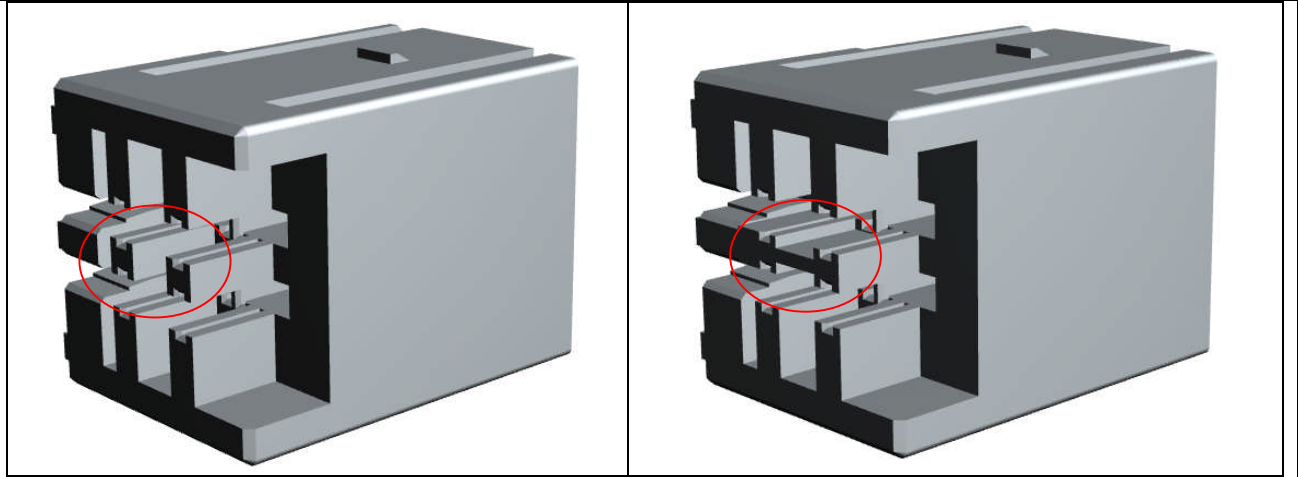
## DESCRIPTION AND PURPOSE OF CHANGE:

Würth Elektronik changed the product design to enhance the reliability.

## DETAIL OF CHANGE:

The design of insulator will be changed to avoid the tin to go inside the connector during welding on the wave soldering machine. Nevertheless, all electrical and mechanical properties and dimensions remain for both part numbers (61400413321 – White version and 61400414122 - Black version).





**RELIABILITY / QUALIFICATION SUMMARY:**

N / A

**DATA SHEET CHANGE:**

Yes

No

**Würth Elektronik France S.A.S**

1861 Avenue Henri Schneider 69881 Meyzieu Cedex - France · Phone +33427861000 · Fax +33427861079