

# 9001KR11UH1H1

Harmony 9001K, double-headed push-button, metal, flush, 7 colours choice, 30mm, stay put, with mechanical interlocking, 2 C/O



## Main

|                           |                                 |
|---------------------------|---------------------------------|
| Range of Product          | Harmony 9001K                   |
| Product or Component Type | Double-headed push-button       |
| Device short name         | 9001K                           |
| Type of operator          | 2 stay put                      |
| Operator profile          | Flush 7 colours choice unmarked |

## Complementary

|   |  |
|---|--|
| Bezel material                              | Metal  |
| Mounting diameter                           | 1.18 in (30 mm)  |
| Shape of signaling unit head                | Octagonal  |
| Contacts type and composition               | 2 C/O  |
| Connections - terminals                     | Screw clamp terminals 1 x 0.22...2 x 1.5 mm <sup>2</sup> EN/IEC 60947-1  |
| Tightening torque                           | 7.08 lbf.in (0.8 N.m) IEC 60947-1  |
| Shape of screw head                         | Cross slotted  |
| Mechanical durability                       | 5000000 cycles   |
| Operating position                          | Any position   |
| [Ie] rated operational current              | 3 A 240 V, AC-15, A600-Q600 NEMA<br>0.55 A 125 V, DC-13, A600-Q600 NEMA  |
| [Ui] rated insulation voltage               | 250 V 3)EN/IEC 60947-1   |
| [Uimp] rated impulse withstand voltage      | 2.5 kV EN/IEC 60947-1  |
| Contacts material                           | Silver alloy contacts  |
| Positive opening                            | Without  |
| Short-circuit protection                    | 10 A cartridge fuse EN/IEC 60947-5-1   |
| [Ith] conventional free air thermal current | 10 A   |
| [Icm] rated short-circuit making capacity   | 12 KA 600 V AC-15, 7200 VA<br>15 KA 480 V AC-15, 7200 VA<br>30 KA 240 V AC-15, 7200 VA<br>60 KA 120 V AC-15, 7200 VA<br>0.1 KA 600 V DC-13<br>0.27 KA 250 V DC-13<br>0.55 kA 125 V DC-13 |
| Rated breaking capacity                     | 3 KA 240 V AC-15, 720 VA<br>6 KA 120 V AC-15, 720 VA<br>1.2 KA 600 V AC-15, 720 VA<br>1.5 KA 480 V AC-15, 720 VA<br>0.1 KA 600 V DC-13<br>0.27 KA 250 V DC-13<br>0.55 kA 125 V DC-13     |
| Net Weight                                  | 1.19 lb(US) (0.54 kg)  |
| Device presentation                         | Complete product   |

The information provided in this documentation contains general descriptions and/or technical characteristics of the performance of the products contained herein. This documentation is not intended as a substitute for and is not to be used for determining suitability or reliability of these products for specific user applications. It is the duty of any such user or integrator to perform the appropriate and complete risk analysis, evaluation and testing of the products with respect to the relevant specific application or use thereof. Neither Schneider Electric Industries SAS nor any of its affiliates or subsidiaries shall be responsible or liable for misuse of the information contained herein.

## Environment

|                                       |  |
|---------------------------------------|--|
| Standards                             | JIS C8201-5-1<br>EN/IEC 60947-5-4<br>EN/IEC 60947-1<br>JIS C 852<br>CSA C22.2 No 14<br>EN/IEC 60947-5-1<br>UL 508<br>JIS C8201-1 |
| Product Certifications                | NEMA<br>UL 508   |
| Protective treatment                  | TC   |
| Ambient Air Temperature for Storage   | -40...158 °F (-40...70 °C)   |
| Ambient Air Temperature for Operation | -13...158 °F (-25...70 °C)   |
| Vibration resistance                  | 7 gn 2...500 Hz)IEC 60068-2-6  |
| Shock resistance                      | 50 gn IEC 60068-2-27   |
| Electrical shock protection class     | Class II IEC 61140   |
| IP degree of protection               | IP66 IEC 60529   |
| NEMA degree of protection             | NEMA 1<br>NEMA 12<br>NEMA 13<br>NEMA 2<br>NEMA 3<br>NEMA 3R<br>NEMA 4<br>NEMA 6  |

## Ordering and shipping details

|                       |                             |
|-----------------------|-----------------------------|
| Category              | 21426-9001 K (NOT KA,KM,KX) |
| Discount Schedule     | CS1                         |
| GTIN                  | 3389119001199               |
| Nbr. of units in pkg. | 1                           |
| Package weight(Lbs)   | 8.00 oz (226.796 g)         |
| Returnability         | No                          |
| Country of origin     | MX                          |

## Packing Units

|                        |                     |
|------------------------|---------------------|
| Unit Type of Package 1 | PCE                 |
| Package 1 Height       | 2.00 in (5.08 cm)   |
| Package 1 width        | 4.60 in (11.684 cm) |
| Package 1 Length       | 2.80 in (7.112 cm)  |

## Offer Sustainability

|                            |   |
|----------------------------|---|
| Sustainable offer status   | Green Premium product   |
| California proposition 65  | WARNING: This product can expose you to chemicals including: Lead and lead compounds, which is known to the State of California to cause cancer and birth defects or other reproductive harm. For more information go to <a href="http://www.P65Warnings.ca.gov">www.P65Warnings.ca.gov</a> |
| REACH Regulation           | <a href="#">REACH Declaration</a>   |
| EU RoHS Directive          | Pro-active compliance (Product out of EU RoHS legal scope) <a href="#">EU RoHS Declaration</a>  |
| Mercury free               | Yes   |
| RoHS exemption information | <a href="#">Yes</a>   |
| China RoHS Regulation      | <a href="#">China RoHS Declaration</a>  |
| Environmental Disclosure   | <a href="#">Product Environmental Profile</a>   |
| WEEE                       | The product must be disposed on European Union markets following specific waste collection and never end up in rubbish bins.  |

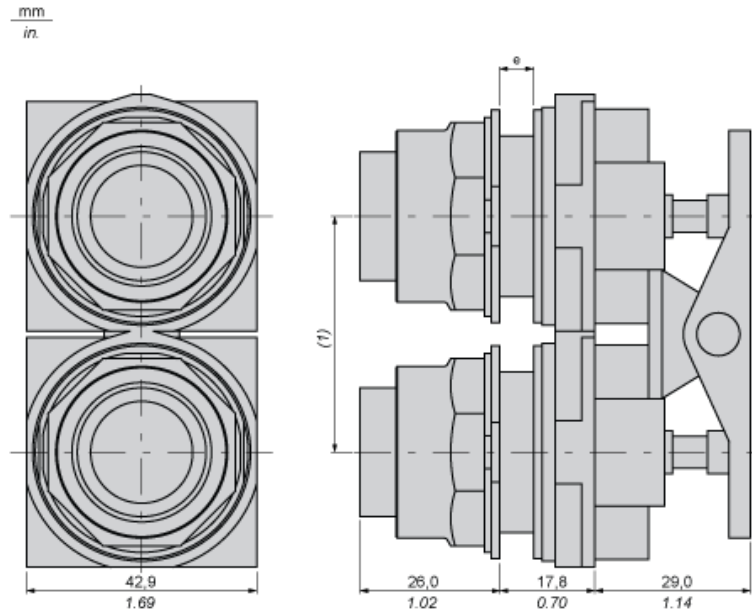
## Contractual warranty

---

|          |           |
|----------|-----------|
| Warranty | 18 months |
|----------|-----------|

---

Dimensions



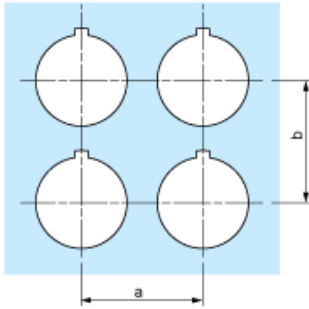
(1) Variable dimension from 44 mm / 1.75 in. to 57 mm / 2.25 in.

| panel thickness: e |      | Number of Gasket |
|--------------------|------|------------------|
| mm                 | in.  |                  |
| 1.6                | 1/16 | 4                |
| 3.2                | 1/8  | 3                |
| 4.8                | 3/16 | 2                |
| 6.4                | 1/4  | 1                |

This drawing doesn't include contact blocks.

Panel Cut-Out

Clearance



| a min. |      | b min. |      |
|--------|------|--------|------|
| mm     | in.  | mm     | in.  |
| 57.2   | 2.25 | 44.5   | 1.75 |